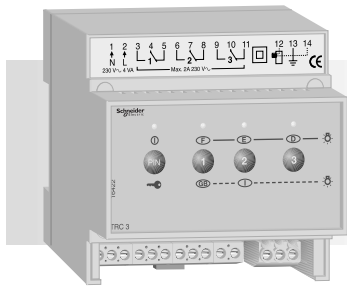


TRC3

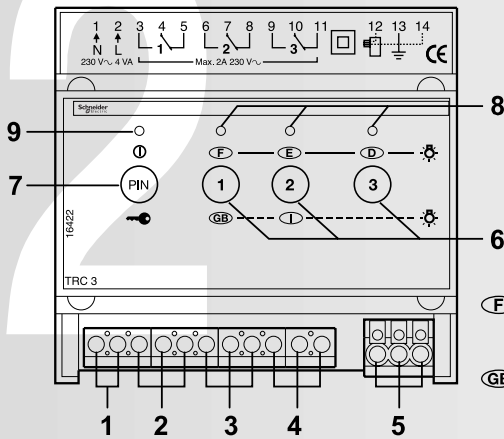


The (3-channel) TRC3 Remote Control for Switched Networks is designed to control electrical circuits via the telephone network and presents the following features:

- 3 controls, one for each power output: controls 1, 2 and 3
- 1 to 255-hour delayed operating mode
- access protected via secret code
- voice synthesis making it simple to use
- local control possible (override)
- compatible with answering machines and GSM
- 5 languages available (French, English, Spanish, Italian, German)
- built-in surge arrester to protect line
- european approval CRT21
- TRA approval.

The TRC3 is designed to operate with networks in the following countries:
Germany, Austria, Belgium, Denmark, Spain, Finland, France, Great Britain, Greece, Iceland, Italy, Luxemburg, Norway, Netherlands, Portugal, Sweden, Switzerland.

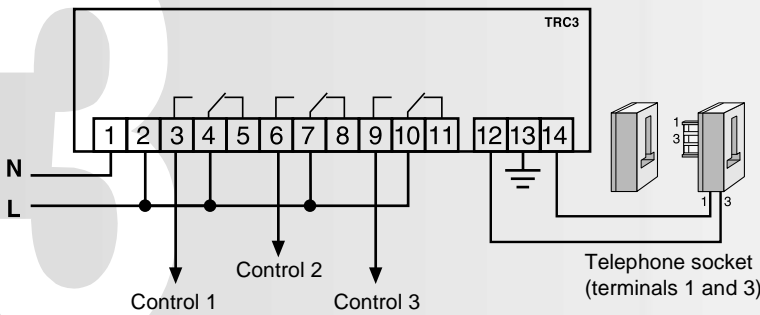
New Features



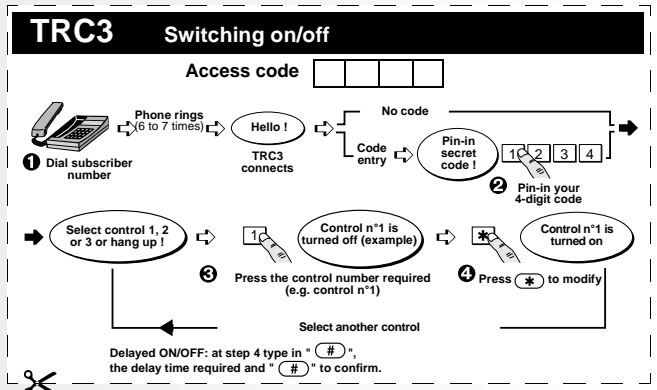
- 1- 230 V ~ phase-to-neutral power supply
- 2- Control 1: 2 A-230 V ~ output
- 3- Control 2: 2 A-230 V ~ output
- 4- Control 3: 2 A-230 V ~ output
- 5- Telephone line
- 6- Local control or language selection keys
- 7- Language selection and secret code key
- 8- Output status (lit = ON, unlit = OFF)
- 9- Secret code active indicator



Cable



Connect the earth (terminal 13) to operate the built-in surge arrester.



Configuration

Language

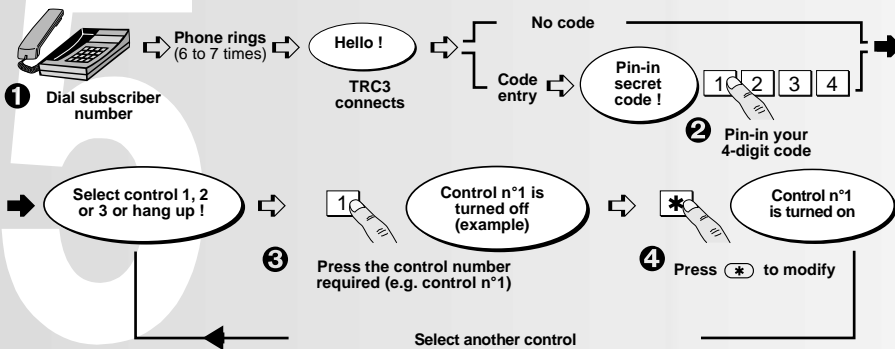
- Press "PIN" key for > 5 s.
- The indicator (9) flashes.
- Press on key 1, 2 or 3 as many times as necessary to select the language:
 - key ① indicator (8) lit: French
indicator (8) flashing: English
 - key ② indicator (8) lit: Spanish
indicator (8) flashing: Italian
 - key ③ indicator (8) lit: German.

Secret code

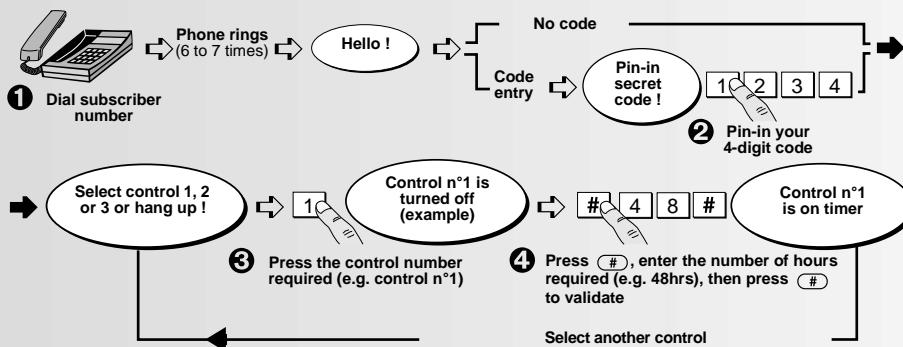
- The code is marked on the front face of the TRC3.
- Activate code protection by pressing briefly (< 2 s) on the "PIN" key: indicator (9) is lit.
- Deactivate protection by pressing on the "PIN" key: indicator (9) is not lit.

Use

ON/OFF operation



Delayed ON/OFF operation (1 to 255 h time delay)



- If the code entered is wrong, you have 3 tries before the device stops the call.
- After 35 seconds without pressing on your phone key, the device stops the call.
- You have 3 minutes to perform all operations.
- You must press on the key during silent periods.

Answering machine

- If you have an answering machine:
 - dial your number
 - wait for the ring tone
 - put down the receiver and wait 10 seconds.
- You have one minute to re-enter your number and access the TRC3.

Local control

- Press briefly on keys 1, 2 or 3 on the front face to change contact status. The control is confirmed when the associated indicator lights up.

The TRC3 has taken the line

- If you receive a call and the TRC3 takes the line before you pick up the receiver: press on the "#" key and then the "*" key to free the line and answer the caller.

Priority over the answering machine:

- 1- Dial your telephone number, wait for phone to ring once, hang up and wait 10 sec.
- 2- Dial again within a minute. TRC3 will connect after phone rings once.

Control settings (e.g. Heating Frost-protection, immersion heater, etc...):

Control n°1 = _____
 Control n°2 = _____
 Control n°3 = _____

Please note: Press keys only when voice synthesiser is silent. Press # then * to abort.

Technical data

- Power supply: 230 V ~.
- Frequency: 50 Hz.
- Insulation class: 2.
- Power consumption: 4 VA.
- 3 changeover switch outputs: 2 A (230 V ~).
- Built-in telephone surge arrester (48 V):
 - run-off capacity: 10 kA, 8/20 μs wave
 - residual voltage: < 900 V.
- Degree of protection: IP30.
- Operating temperature: 0 °C to +40 °C.
- Connection:
 - rigid cable: 4 mm²
 - flexible cable: 2.5 mm²
 - length of bare wire: 8 mm.
- Dimensions: 10 x 9 mm modules.