

Application

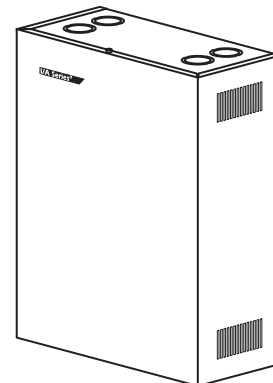
The TAC I/A Series™ MicroNet™ MN 800 Series Controllers are programmable, interoperable, LONWORKS™ based control devices.

The MN 800 Series Controller features eight universal inputs, four analog outputs, eight digital outputs, a 5.1 volt reference, LED indication, and support for MicroNet MN-Sx Sensor Link (S-Link) sensors. Additionally, network capability is provided through the use of a FTT-10 transceiver allowing the controller to communicate to other devices as part of a LONWORKS Free Topology Communications network. A direct connection to a WPA-LON WorkPlace Communication adapter and a PC with WorkPlace Tech Tool software is necessary to download and modify applications.

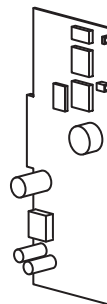
Typical applications include central station air handlers, VAV air handlers, fan coil units, unit ventilators, and cooling towers.

Model Chart

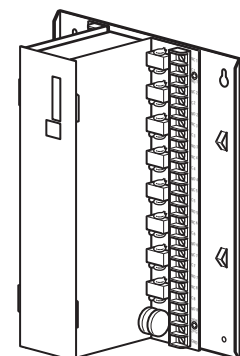
Model	Description
ENCL-MZ800-WAL	Wall-Mount Enclosure
ENCL-MZ800-PAN	Panel-Mount Enclosure
MNL-800-101	Controller Card with Backed-up Time Clock



ENCL-MZ800-WAL
Wall-Mount Enclosure



MNL-800-101
Controller Card



ENCL-MZ800-PAN
Panel-Mount Enclosure

Applicable Documentation

F-Number	Description	Audience	Purpose
F-26277	TAC I/A Series Micronet MN-SX Series Sensors General Instructions	<ul style="list-style-type: none"> – Application Engineers – Installers – Service Personnel – Start-up Technicians 	Provides step-by-step installation and checkout procedures for TAC I/A Series MicroNet MN-SX Series Sensors. Also contains instructions for sensor operation.
F-26303	TAC I/A Series MicroNet System Overview	<ul style="list-style-type: none"> – Application Engineers – Installers – Start-up Technicians – Service Personnel 	Provides an overview of the TAC I/A Series MicroNet System. It includes brief descriptions of the hardware and software components, and how they may be combined to create MicroNet networks and stand-alone systems.
F-26580	WorkPlace Tech Tool Engineering Guide	<ul style="list-style-type: none"> – Application Engineers – Installers – Service Personnel – Start-up Technicians 	Provides engineering and technical information for applying and using all aspects of WorkPlace Tech Tool.
F-26507	TAC I/A Series MicroNet System Engineering Guide	<ul style="list-style-type: none"> – Application Engineers – Installers – Service Personnel – Start-up Technicians 	Provides engineering and technical information to assist in designing a complete TAC MicroNet controller system using different architectures, components, and software.
F-26304	WorkPlace Tech Tool User's Guide	<ul style="list-style-type: none"> – Application Engineers – Installers – Service Personnel – Start-up Technicians 	Provides step-by-step instructions for using WorkPlace Tech Tool.
F-26363	EN-206 Guidelines for Powering Multiple Full-Wave and Half- Wave Rectifier Devices from a Common Transformer	<ul style="list-style-type: none"> – Application Engineers – Installers – Service Personnel 	Offers guidelines for avoiding equipment damage associated with improperly wiring devices of varying rectifier types. Contains instructions for identifying device rectifier type, guidelines for correctly powering devices of varying rectifier types, and examples illustrating proper power wiring techniques.

Installation

Inspection

Inspect carton for damage. If damaged, notify carrier immediately. Inspect controllers for damage. Return damaged products.

Requirements

- Training: Installer must be a qualified, experienced technician.

Note: The following items are *not provided*.

- Job wiring diagrams
- Tools
 - Drill and bits for panel mounting screws
 - Digital Volt-ohm meter (DVM)
 - Static protection wrist strap
- Class 1 or Class 2 power transformer supplying a nominal 24 Vac (20.4 to 30 Vac) with a minimum rating of 20 VA, 50/60 Hz per controller plus Digital Output (DO) loads (if same transformer is used). In European Community, transformer must conform to local standards.
- Terminators
 - One LON-TERM1 terminator required for free topologies
 - Two LON-TERM2 terminators required for bus topologies

Precautions



Electrical Shock Precautions

Warning:

- Electrical shock hazard! Disconnect power before installing or removing the cover.
 - Follow Static precautions when installing this equipment.
 - Use copper conductors that are suitable for 167°F (75°C)
 - Make all connections according to electrical wiring diagram, national and local electrical codes.
-

Static Precautions

Static charges damage electrical components. The microprocessor and associated circuitry are extremely sensitive to static discharge. Use the following precautions when installing, servicing, or operating the system.

- Work in a static-free area
- Discharge static electricity by touching a known, securely grounded object.
- Use a wrist strap connected to earth ground when handling the controller's printed circuit board.

Federal Communications Commission (FCC)

This equipment has been tested and found to comply with the limits for a Class B digital device, pursuant to Part 15 of the FCC Rules. These limits are designed to provide reasonable protection against harmful interference in residential installations. This equipment generates, uses, and can radiate radio frequency energy and may cause harmful interference if not installed and used in accordance with the instructions. Even when instructions are followed, there is no guarantee that interference will not occur in a particular installation. If this equipment causes harmful interference to radio or television reception-- which can be determined by turning the equipment off and on-- the user is encouraged to try to correct the interference by one or more of the following measures:

- Reorient or relocate the receiving antenna.
- Increase the separation between the equipment and receiver.
- Connect the equipment to an outlet on a circuit different from that to which the receiver is connected.
- Consult the dealer or an experienced radio/television technician for help.

Canadian Department of Communications (DOC)

This class B digital apparatus meets all requirements of the Canadian Interference-Causing Equipment Regulations.

Cet appareil numérique de la classe [B] respecte toutes les exigences du Règlement sur le matériel brouilleur du Canada.

European Community Directives

This equipment meets all requirements of European Community Directives for Low Voltage (72/23/EEC) and Electromagnetic Compatibility (89/336/EEC).

Caution: This is a class A product. In a domestic environment this product may cause radio interference in which case the user may be required to take adequate measures.

Location

These controllers are suitable for indoor use only.

Caution:

- Avoid locations where excessive moisture, corrosive fumes, vibration, or explosive vapors are present.
 - Avoid electrical noise interference. Do not install near large contactors, electrical machinery, or welding equipment.
 - Locate where ambient temperatures do not exceed 140°F (60°C) or fall below -40°F (-40°C) and relative humidity does not exceed 95% or fall below 5%, non-condensing.
-

Mounting

Panel Mount Installation (ENCL-MZ800-PAN)

ENCL-MZ800-PAN uses a sheet metal mounting plate. The enclosure has four mounting holes. Mount in a vertical position as shown in Figure-1. Allow access for wiring and removal of the assembly for service.

Use the mounting holes provided.

Caution:

- Drilling holes in the controller or mounting plate voids warranty.
 - Do not drill into mounting plate or any other part of controller. Metal chips and other debris may short-circuit electronic components.
-

1. Select mounting location.
2. Using four #8 pan head screws, mount base of controller to a panel.
3. Wire controller (See Wiring section).
4. After wiring, remove aluminum cover plate.
5. Remove protective tape from edge of card connector.
6. Install printed circuit board. (See MNL-800-101 Printed Circuit Board Installation.)

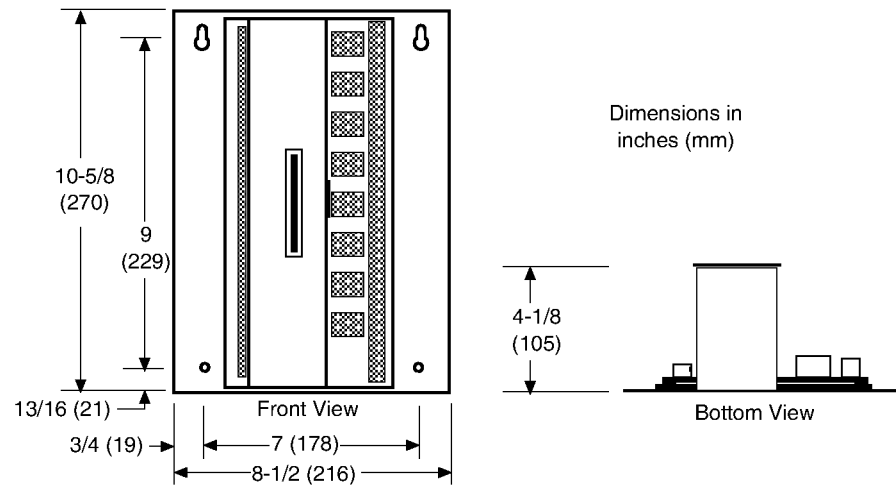


Figure-1 ENCL-MZ800-PAN Panel Mounting Dimensions.

Wall Mount Installation (ENCL-MZ800-WAL)

ENCL-MZ800-WAL use sa sheet metal enclosure. The enclosure has four mounting holes and eight combination knockouts (1/2" to 3/4") (Figure-2). Mount in a vertical position and allow access for wiring and removal of the printed circuit board assembly for service.

Use the mounting holes and knockouts provided.

Caution:

- Drilling holes in the controller or enclosure voids the warranty.
 - Do not drill into the enclosure or any other part of the controller. Metal chips and other debris may short-circuit electronic components.
-

1. Select mounting location.
2. Remove cover.
3. Using four #8 pan head screws, mount controller.
4. Wire controller (see Wiring section).
5. Remove protective tape from edge of card connector.
6. Install printed circuit board. (See MNL-800-101 Printed Circuit Board Installation.)

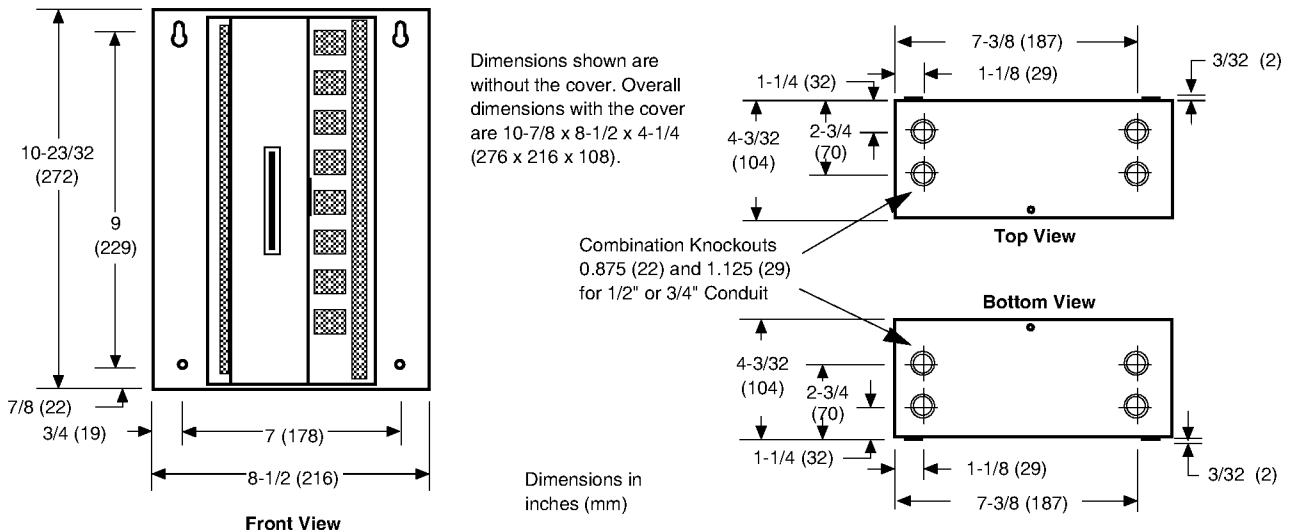


Figure-2 ENCL-MZ800-WAL Wall Mounting Dimensions.

Wiring

See Figure-3 for terminal connections.

A power transformer supplying a nominal 24 Vac (20.4 to 30 Vac) with a minimum rating of 20 VA, 50/60 Hz per controller is required. The supply to the transformer must be provided with a circuit breaker or disconnect. Use class 1 wiring for the transformer wiring.

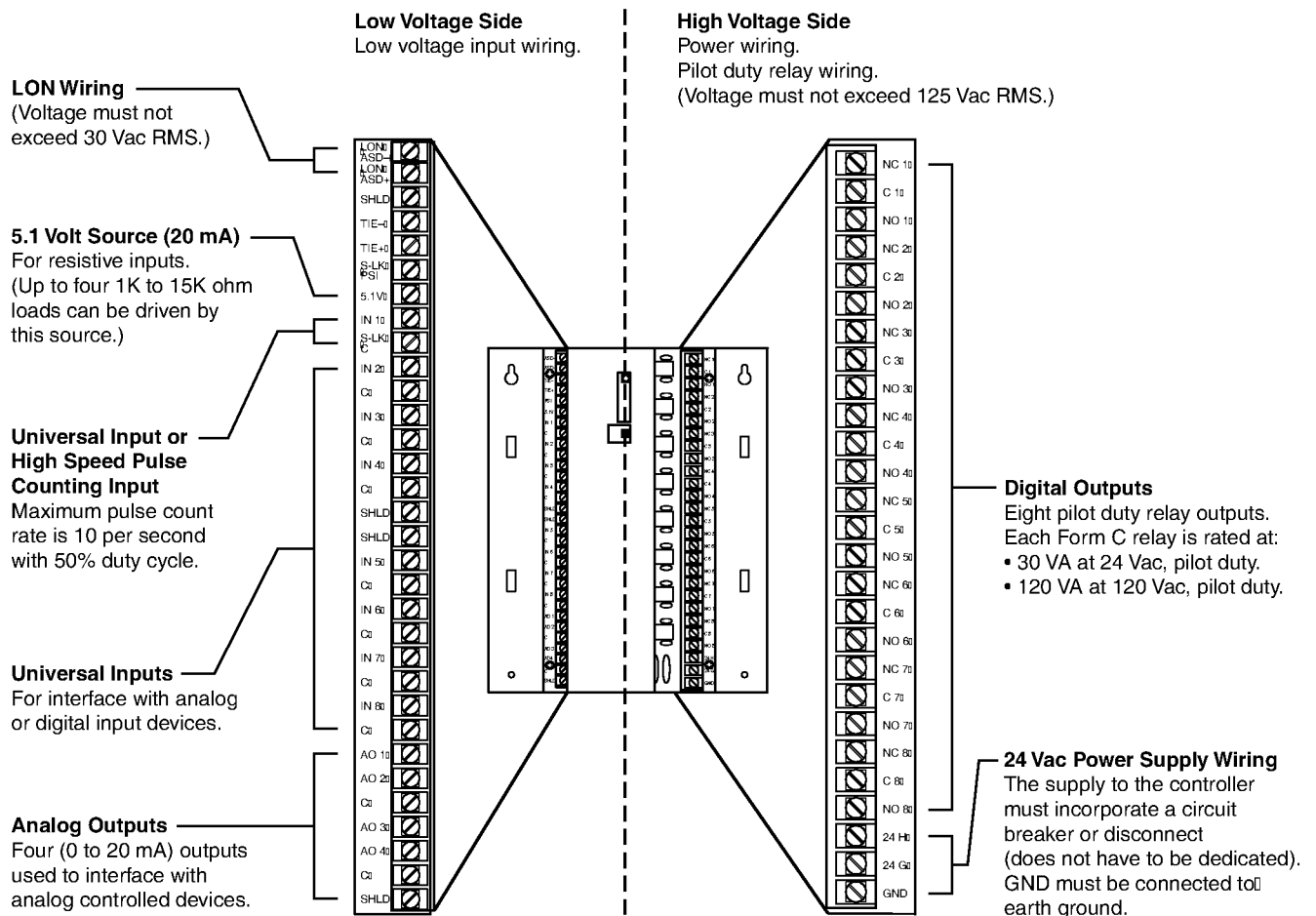


Figure-3 Terminal Connections.

Caution:

- Do not install the low voltage input/output wiring (UI/AO) in the same conduit with power or DO wiring with a potential greater than 30 Vac rms.
 - Use shielded cable if the low voltage input/output wiring (UI/AO) is installed in the same conduit with power or DO wiring with a potential less than 30 Vac rms.
 - Do not use the inside of the sensor enclosure or the wiring compartments of the MN 800 as a junction box for other control circuits.
-

Although not required, shielded cable may be used for AI, DI, and AO wiring. Fold the foil shield back over the cable jacket and compress it at the point of entry or exit of each controller. Use a sheathed cable connector in the knockout at the point of entry or exit.

After the entire system has been installed and wired, verify wiring with the use of a DVM to insure against wiring errors, overvoltage, or short circuits.

MNL-800-101 Printed Circuit Board Installation

Mount the controller and complete wiring before installing the printed circuit board.

1. Verify power is OFF.
 2. Follow the Static Precautions.
 3. Remove enclosure cover.
-

Caution: Do not pull or push on the circuit board components when installing or removing the printed circuit board. Doing so may result in damage to the circuit board assembly.

4. Remove and discard protected shipping tape from card slot.
5. Slide printed circuit board into place (Figure-4).
6. Replace enclosure cover.

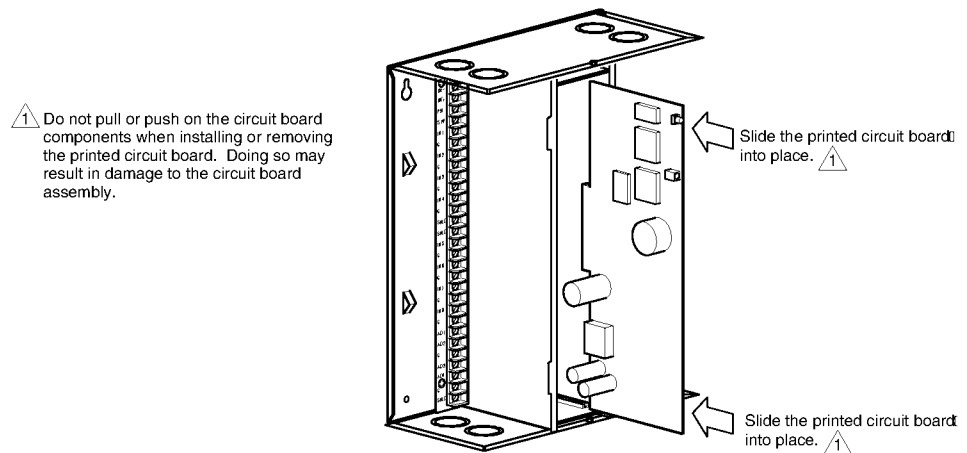


Figure-4 Printed Circuit Board Installation.

Communications Wiring

Caution:

- Communication wire pairs must be dedicated to S-LK and MicroNet LONWORKS network (LON) communications. They cannot be part of an active, bundled telephone trunk.
 - Shielded cable is not required for S-LK or LON wiring.
 - If the cable is installed in areas of high RFI/EMI, the cable must be in conduit.
 - If shielded wire is used, the shield must be connected to earth ground at one end only by a 470K ohm 1/4 watt resistor. Shield must be continuous from one end of the trunk to the other.
-

Communications wiring includes a connection between the controller and a TAC I/A Series MicroNet Sensor via the S-LK and a connection between the controller and the MicroNet LONWORKS Network (LON). An optional LON connection between the controller and one TAC I/A Series MicroNet Sensor is also possible.

Sensor Link (S-LK) Wiring

S-LK wiring powers and enables the MN-SX Sensor. The S-LK needs at least 24 gage (0.51mm), twisted pair, voice grade telephone wire. The capacitance between conductors cannot be more than 32 pF per foot (0.3m). If shielded cable is used, the capacitance between any one conductor and the others, connected to the shield, cannot be more than 60 pF per foot (0.3m). Maximum wire length is 200 ft. (61m).

Note:

- Controller supports one TAC I/A Series MicroNet Sensor (MN-SX).
- S-LK wiring is polarity insensitive.
- If conduit is used between a TAC I/A Series Sensor and a controller, the MicroNet LONWORKS network and S-LK wiring can be in the same conduit.
- S-LK wiring (*not* LON wiring) can be in the same conduit with UI, AO, and DI wiring.

MicroNet LONWORKS Network (LON) Wiring

A Category 4, twisted-pair (two conductors) cable may be used for LON connection between controllers and between a controller and an MN-SX sensor. LON wiring is polarity insensitive.

Caution: Do not mix with UI, AO, DI or DO types of wiring. If conduit is used between a TAC I/A Series Sensor and a controller, LON wiring and S-LK wiring can be in the same conduit.

MN 800 controllers use LONWORKS Free Topology Transceiver (FTT-10) and support polarity insensitive bus (daisy-chain) and free (all combinations of star, tee, and loop) wiring topologies. A maximum of 62 nodes can be connected per segment.

See *TAC I/A Series MicroNet System Engineering Guide*, F-26507 to design a MicroNet LONWORKS FTT-10 network, including recommended topologies and approved cable types.

Checkout

Stand-alone Controller

1. Verify controlled devices are not powered or are in a controlled manual condition.
2. Apply power to MN 800 controller.
3. Check LED operation using Table-1.

Table-1 LED Indications

LED	Operation	Status
Green	ON	Normally ON indicating controller is powered and not actively transmitting data on the LON.
	Flashes OFF	Flashes OFF while actively transmitting data on the LON.
Amber	OFF	Normally OFF unless actively receiving data from the LON.
	Flashes ON	Flashes ON while actively receiving data from the LON.

Table-1 LED Indications

LED	Operation	Status
Red	OFF	(Neuron - normal communications) Indicates the Neuron is operating properly allowing normal communications to and from the HVAC application.
	OFF	(Neuron - Off line) Neuron responds to network management messages only. In this state, communication to and from the HVAC application is not possible. To Correct, place the Neuron on-line by downloading an application using WP Tech or configure using a third party management tool.
	Blinking	The service LED blinks at 0.5 Hz rate (1 second ON, 1 second OFF) to indicate that the Neuron is unconfigured (i.e. communications parameters not loaded). Corrective action: Configure the Neuron by downloading an application using the Work Place Technician's Tool or configure the neuron using a third party management tool.
	ON	Indicates Neuron is not operating properly. Replace controller.
Heartbeat (Green LED)	Blinking	(Normal operation) The heartbeat LED blinks at 0.5 second ON, 0.5 second OFF to indicate controller is operating properly.
	Wink Mode	Wink mode provides a visual means for identifying the controller using WP Tech or third party management tool. During wink, the heartbeat LED blinks as follows: With revision 1.x firmware: 2 seconds ON, 0.5 seconds OFF; cycles five times for a total of 12.5 seconds of wink time. With revision 2.x (or later) firmware: 3 seconds ON, 1 second OFF; cycles three times for total of 12 seconds wink time.
	Diagnostic Blink	(RAM/ROM Failure) The heartbeat LED repeats a pattern of 2 quick flashes followed by pause. To correct, turn power OFF then ON. Replace controller if necessary.
	Diagnostic Blink	(ROM Failure) The heartbeat LED repeats a pattern of three quick flashes followed by a pause. To correct, turn power OFF then ON. Replace controller if necessary.
	Diagnostic Blink	(RAM Failure) The heartbeat LED repeats a pattern of four quick flashes followed by a pause. To correct, turn power OFF then ON. Replace controller if necessary.
	OFF	Indicates controller is not operating properly. Check power. Replace controller if necessary.

- Power down MN 800 controller if the programming will be done later, or program using WorkPlace Tech.

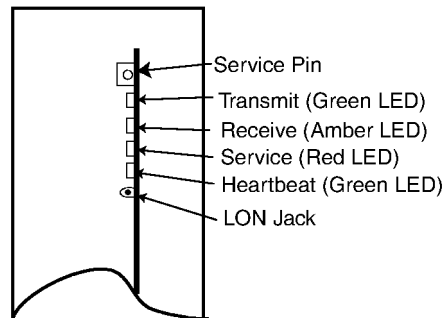


Figure-5 LED Indicators.

Service

Components within the MN 800 are not field repairable. The printed circuit board may be replaced, if necessary. (Follow the procedure described earlier in the Printed Circuit Board Installation section.) Consult your local Schneider Electric office for additional details.

California Proposition 65



Warning: This product can expose you to chemicals including lead, which is known to the state of California to cause cancer and which is known to the state of California to cause birth defects or other reproductive harm. For more information, go to <https://www.P65Warnings.ca.gov>.

© 2019 Schneider Electric. All rights reserved.