

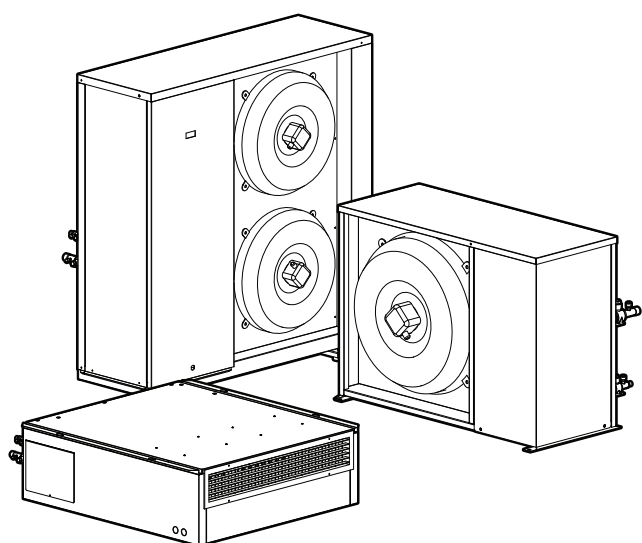
Uniflair™ SP

UCF, MRA

Management Information Base (MIB)

990-6105

Release Date: 01/2019



Legal Information

The Schneider Electric brand and any registered trademarks of Schneider Electric Industries SAS referred to in this guide are the sole property of Schneider Electric SA and its subsidiaries. They may not be used for any purpose without the owner's permission, given in writing. This guide and its content are protected, within the meaning of the French intellectual property code (Code de la propriété intellectuelle français, referred to hereafter as "the Code"), under the laws of copyright covering texts, drawings and models, as well as by trademark law. You agree not to reproduce, other than for your own personal, noncommercial use as defined in the Code, all or part of this guide on any medium whatsoever without Schneider Electric's permission, given in writing. You also agree not to establish any hypertext links to this guide or its content. Schneider Electric does not grant any right or license for the personal and noncommercial use of the guide or its content, except for a non-exclusive license to consult it on an "as is" basis, at your own risk. All other rights are reserved.

Electrical equipment should be installed, operated, serviced, and maintained only by qualified personnel. No responsibility is assumed by Schneider Electric for any consequences arising out of the use of this material.

As standards, specifications, and designs change from time to time, please ask for confirmation of the information given in this publication.

Table of Contents

Cooling MIB Overview.....	5
Self-Describing.....	5
General Organization.....	5
MIB Data Tables.....	8
coolingUnitAboutTable.....	8
coolingUnitStatusAnalogTable.....	9
coolingUnitStatusDiscreteTable.....	11
coolingUnitConfigurationAnalogTable.....	12
coolingUnitConfigurationDiscreteTable.....	15
coolingUnitConfigurationStringTable.....	17
coolingUnitExtendedAnalogTable.....	18
coolingUnitExtendedDiscreteTable.....	19
coolingUnitExtendedStringTable.....	20

Cooling MIB Overview

The information in this document is compatible with display firmware v6.0.0 for the Uniflair SP 60 Hz cooling units.

Self-Describing

The Cooling MIB is self-describing in that only the general format of the information is described by the MIB. The actual application data is described by the data in the OIDs themselves. The user must walk the MIB to get information about the data that is available.

General Organization

- **OID Types**
 - **Analog:** Data that has a continuous range of numeric values. Examples:
 - Temperature
 - Humidity
 - Cool setpoint
 - **Discrete:** Data that has discrete integer values that correspond to some functional meaning. Examples:
 - Configuration type
 - Airflow control
 - Air filter type
 - **String:** Data that consists of text. Examples:
 - Name
 - Location
- **Sections**
 - **About**
 - **Table Index:** The static reference identifier for each table entry.
 - **Description:** A text description of the information presented in `coolingUnitAboutValue`.
 - **Value:** The actual value of the current table entry.
 - **Status**
 - **Analog**
 - ◇ **Table Index:** The static reference identifier for each table entry.
 - ◇ **Description:** A text description of the information presented in `coolingUnitStatusAnalogValue`.
 - ◇ **Value:** The scaled value of the current table entry (multiplied by `coolingUnitStatusAnalogScale` for integer presentation).
 - ◇ **Units:** The unit of measure by which `coolingUnitStatusAnalogValue` is expressed.
 - ◇ **Scale:** The factor by which `coolingUnitStatusAnalogValue` is expressed.
 - **Discrete**
 - ◇ **Table Index:** The static reference identifier for each table entry.
 - ◇ **Description:** A text description of the information presented in the 'value' OIDs of this table.
 - ◇ **Value as String:** The actual value of the current table entry expressed as a string.

- ◇ Value as Integer: The actual value of the current table entry expressed as an integer value.
- ◇ Integer Reference Key: A complete listing of all possible coolingUnitStatusDiscreteValueAsInteger values paired with their identifying strings.
- Configuration
 - Analog
 - ◇ Table Index: The static reference identifier for each table entry.
 - ◇ Description: A text description of the information presented in coolingUnitConfigurationAnalogValue.
 - ◇ Value: The scaled value of the current table entry (multiplied by coolingUnitConfigurationAnalogScale for integer presentation).
 - ◇ Units: The unit of measure by which coolingUnitConfigurationAnalogValue is expressed.
 - ◇ Scale: The factor by which coolingUnitConfigurationAnalogValue is expressed.
 - ◇ Access: A description of available access to coolingUnitConfigurationAnalogValue via SNMP client.
 - ◇ Minimum: The minimum possible value of coolingUnitConfigurationAnalogValue.
 - ◇ Maximum: The maximum possible value of coolingUnitConfigurationAnalogValue.
 - Discrete
 - ◇ Table Index: The static reference identifier for each table entry.
 - ◇ Description: A text description of the information presented in the 'value' OIDs of this table.
 - ◇ Value As String: The actual value of the current table entry expressed as a string.
 - ◇ Value as Integer: The actual value of the current table entry expressed as an integer value.
 - ◇ Integer Reference Key: A complete listing of all possible coolingUnitConfigurationDiscreteValueAsInteger values paired with their identifying strings.
 - ◇ Access: A description of available access to coolingUnitConfigurationDiscreteValueAsInteger via SNMP client.
 - String
 - ◇ Table Index: The static reference identifier for each table entry.
 - ◇ Description: A text description of the information presented in coolingUnitConfigurationStringValue.
 - ◇ Value: The actual value of the current table entry.
 - ◇ Max Length: The maximum string length supported by coolingUnitConfigurationStringValue.
 - ◇ Access: A description of available access to coolingUnitConfigurationStringValue via SNMP client.
- Extended

The extended section of the MIB contains data that provides a higher level of detail for the advanced user.

 - Analog
 - ◇ Table Index: The static reference identifier for each table entry.
 - ◇ Description: A text description of the information presented in coolingUnitExtendedAnalogValue.
 - ◇ Value: The scaled value of the current table entry (multiplied by coolingUnitExtendedAnalogScale for integer presentation).

- ◇ Units: The unit of measure by which coolingUnitExtendedAnalogValue is expressed.
- ◇ Scale: The factor by which coolingUnitExtendedAnalogValue is expressed.
- Discrete
 - ◇ Table Index: The static reference identifier for each table entry.
 - ◇ Description: A text description of the information presented in the 'value' OIDs of this table.
 - ◇ Value as String: The actual value of the current table entry expressed as a string.
 - ◇ Value as Integer: The actual value of the current table entry expressed as an integer value.
 - ◇ Integer Reference Key: A complete listing of all possible coolingUnitExtendedDiscreteValueAsInteger values paired with their identifying strings.
- String
 - ◇ Table Index: The static reference identifier for each table entry.
 - ◇ Description: A text description of the information presented in coolingUnitExtendedStringValue.
 - ◇ Value: The actual value of the current table entry.

MIB Data Tables

coolingUnitAboutTable

- Name: coolingUnitAboutTable
- Type: OBJECT-TYPE
- OID: 1.3.6.1.4.1.318.1.1.27.1.3.2
- Full path:
iso(1).org(3).dod(6).internet(1).private(4).enterprises(1).apc(318).products(1).hardware(1).cooling(27).coolingUnit(1).coolingUnitAbout(3).coolingUnitAboutTable(2)
- Module: PowerNet-MIB
- Parent: coolingUnitAbout
- First child: coolingUnitAboutEntry
- Prev sibling: coolingUnitAboutTableSize
- Numerical syntax: Sequence
- Base syntax: SEQUENCE OF CoolingUnitAboutEntry
- Composed syntax: SEQUENCE OF CoolingUnitAboutEntry
- Status: mandatory
- Max access: not-accessible
- Sequences:
 - 1: coolingUnitAboutTableIndex - INTEGER(2 - integer (32 bit))
 - 2: coolingUnitAboutDescription - DisplayString(4 - octets)
 - 3: coolingUnitAboutValue - DisplayString(4 - octets)
- Description: A table of unit reference information.
- Table headings
 - **1:** Instance
 - **2:** coolingUnitAboutTableIndex(IDX)
 - **3:** coolingUnitAboutDescription
 - **4:** coolingUnitAboutValue

1	2	3	4
1.1	1	Model Number	Not available
1.2	2	Serial Number	SL9876543210
1.3	3	Firmware Revision	0.0.2d
1.4	4	Hardware Revision	Not available
1.5	5	Manufacture Date	mm/dd/yyyy
1.6	6	Ctlr Bootloader Revision	0.0
1.7	7	PIC 1 Firmware Revision	2.35.0
1.8	8	PIC 1 Bootloader Rev	2.3
1.9	9	PIC 2 Firmware Revision	2.29.0
1.10	10	PIC 2 Bootloader Rev	2.3
1.11	11	Manufacture Date	01/21/2014
1.12	12	Application Version	v6.0.0.D
1.13	13	OS Version	v6.6.5.b
1.14	14	APC Boot Monitor	v1.0.8

coolingUnitStatusAnalogTable

- Name: coolingUnitStatusAnalogTable
- Type: OBJECT-TYPE
- OID: 1.3.6.1.4.1.318.1.1.27.1.4.1.2
- Full path:
iso(1).org(3).dod(6).internet(1).private(4).enterprises(1).apc(318).products(1).hardware(1).cooling(27).coolingUnit(1).coolingUnitStatus(4).coolingUnitStatusAnalog(1).coolingUnitStatusAnalogTable(2)
- Module: PowerNet-MIB
- Parent: coolingUnitStatusAnalog
- First child: coolingUnitStatusAnalogEntry
- Prev sibling: coolingUnitStatusAnalogTableSize
- Numerical syntax: Sequence
- Base syntax: SEQUENCE OF CoolingUnitStatusAnalogEntry
- Composed syntax: SEQUENCE OF CoolingUnitStatusAnalogEntry
- Status: mandatory
- Max access: not-accessible
- Sequences:
 - 1: coolingUnitStatusAnalogTableIndex - INTEGER(2 - integer (32 bit))
 - 2: coolingUnitStatusAnalogDescription - DisplayString(4 - octets)
 - 3: coolingUnitStatusAnalogValue - DisplayString(4 - octets)
 - 4: coolingUnitStatusAnalogUnits - DisplayString(4 - octets)
 - 5: coolingUnitStatusAnalogScale - INTEGER(2 - integer (32 bit))
- Description: A table of analog unit status data.
- Table headings
 - **1:** Instance
 - **2:** coolingUnitStatusAnalogTableIndex(IDX)
 - **3:** coolingUnitStatusAnalogDescription
 - **4:** coolingUnitStatusAnalogValue
 - NOTE:** Value will vary based on readings or settings.
 - **5:** coolingUnitStatusAnalogUnits
 - **6:** coolingUnitStatusAnalogScale

1	2	3	4	5	6
1.1	1	Discharge Pressure	—	psi	10
1.2	2	Discharge Pressure	—	bar	10
1.3	3	Condensing Temperature	—	F	10
1.4	4	Condensing Temperature	—	C	10
1.5	5	Commanded Evap. Fan Speed	—	%	1
1.6	6	Commanded Evap. Fan Speed	—	%	1
1.7	7	Supply Temperature	—	F	10
1.8	8	Supply Temperature	—	C	10
1.9	9	Outdoor Air Temperature	—	F	10
1.10	10	Outdoor Air Temperature	—	C	10
1.11	11	Room Temperature	—	F	10
1.12	12	Room Temperature	—	C	10

1	2	3	4	5	6
1.13	13	Outdoor Dewpoint Temperature	—	F	10
1.14	14	Outdoor Dewpoint Temperature	—	C	10
1.15	15	Average Outdoor Air Temperature	—	F	10
1.16	16	Average Outdoor Air Temperature	—	C	10
1.17	17	Average Room Temperature	—	F	10
1.18	18	Average Room Temperature	—	C	10
1.19	19	Average Outdoor Dewpoint Temperature	—	F	10
1.20	20	Average Outdoor Dewpoint Temperature	—	C	10
1.21	21	Outdoor Air Humidity	—	%RH	10
1.22	22	Average Outdoor Air Humidity	—	%RH	10

coolingUnitStatusDiscreteTable

- Name: coolingUnitStatusDiscreteTable
- Type: OBJECT-TYPE
- OID: 1.3.6.1.4.1.318.1.1.27.1.4.2.2
- Full path:
iso(1).org(3).dod(6).internet(1).private(4).enterprises(1).apc(318).products(1).hardware(1).cooling(27).coolingUnit(1).coolingUnitStatus(4).coolingUnitStatusDiscrete(2).coolingUnitStatusDiscreteTable(2)
- Module: PowerNet-MIB
- Parent: coolingUnitStatusDiscrete
- First child: coolingUnitStatusDiscreteEntry
- Prev sibling: coolingUnitStatusDiscreteTableSize
- Numerical syntax: Sequence
- Base syntax: SEQUENCE OF CoolingUnitStatusDiscreteEntry
- Composed syntax: SEQUENCE OF CoolingUnitStatusDiscreteEntry
- Status: mandatory
- Max access: not-accessible
- Sequences:
 - 1: coolingUnitStatusDiscreteTableIndex - INTEGER(2 - integer (32 bit))
 - 2: coolingUnitStatusDiscreteDescription - DisplayString(4 - octets)
 - 3: coolingUnitStatusDiscreteValueAsString - DisplayString(4 - octets)
 - 4: coolingUnitStatusDiscreteValueAsInteger - INTEGER(2 - integer (32 bit))
 - 5: coolingUnitStatusDiscreteIntegerReferenceKey - DisplayString(4 - octets)
- Description: A table of analog unit status data.
- Table headings
 - **1:** Instance
 - **2:** coolingUnitStatusDiscreteTableIndex(IDX)
 - **3:** coolingUnitStatusDiscreteDescription
 - **4:** coolingUnitStatusDiscreteValueAsString
NOTE: Value will vary based on readings or settings.
 - **5:** coolingUnitStatusDiscreteValueAsInteger
NOTE: Value will vary based on readings or settings.
 - **6:** coolingUnitStatusDiscreteIntegerReferenceKey

1	2	3	4	5	6
1.1	1	Unit State	—	—	Initializing(0),Delaying(1),Maintenance(2),Off(3),Standby(4),No Demand(5),Cooling(6),Free Cooling(7),Idle(8),Unknown(9)
1.2	2	Group State	—	—	Primary (0),Standby(1),Assist(2)
1.3	3	Compressor	—	—	Off(0),On(1)
1.11	4	Unit	—	—	Off(0),On(1)

coolingUnitConfigurationAnalogTable

- Name: coolingUnitConfigurationAnalogTable
- Type: OBJECT-TYPE
- OID: 1.3.6.1.4.1.318.1.1.27.1.5.1.2
- Full path:
iso(1).org(3).dod(6).internet(1).private(4).enterprises(1).apc(318).products(1).hardware(1).cooling(27).coolingUnit(1).coolingUnitConfiguration(5).coolingUnitConfigurationAnalog(1).coolingUnitConfigurationAnalogTable(2)
- Module: PowerNet-MIB
- Parent: coolingUnitConfigurationAnalog
- First child: coolingUnitConfigurationAnalogEntry
- Prev sibling: coolingUnitConfigurationAnalogTableSize
- Numerical syntax: Sequence
- Base syntax: SEQUENCE OF CoolingUnitConfigurationAnalogEntry
- Composed syntax: SEQUENCE OF CoolingUnitConfigurationAnalogEntry
- Status: mandatory
- Max access: not-accessible
- Sequences:
 - 1: coolingUnitConfigurationAnalogTableIndex - INTEGER(2 - integer (32 bit))
 - 2: coolingUnitConfigurationAnalogDescription - DisplayString(4 - octets)
 - 3: coolingUnitConfigurationAnalogValue - INTEGER(2 - integer (32 bit))
 - 4: coolingUnitConfigurationAnalogUnits - DisplayString(4 - octets)
 - 5: coolingUnitConfigurationAnalogScale - INTEGER(2 - integer (32 bit))
 - 6: coolingUnitConfigurationAnalogAccess - INTEGER(2 - integer (32 bit))
 - 7: coolingUnitConfigurationAnalogMinimum - INTEGER(2 - integer (32 bit))
 - 8: coolingUnitConfigurationAnalogMaximum - INTEGER(2 - integer (32 bit))
- Description: A table of analog unit status data.
- Table headings
 - **1:** Instance
 - **2:** coolingUnitConfigurationAnalogTableIndex(IDX)
 - **3:** coolingUnitConfigurationAnalogDescription
 - **4:** coolingUnitConfigurationAnalogValue
NOTE: Value will vary based on readings or settings.
 - **5:** coolingUnitConfigurationAnalogUnits
 - **6:** coolingUnitConfigurationAnalogScale
 - **7:** coolingUnitConfigurationAnalogAccess
 - **8:** coolingUnitConfigurationAnalogMinimum
 - **9:** coolingUnitConfigurationAnalogMaximum

1	2	3	4	5	6	7	8	9
1.1	1	Altitude	—	ft	1	readWrite(2)	-2000	15000
1.2	2	Altitude	—	m	1	readWrite(2)	-610	4572
1.3	3	Startup Delay	—	sec	1	readWrite(2)	0	300
1.4	4	Number of Units in Group	—	(zero-length)	1	readWrite(2)	1	10

1	2	3	4	5	6	7	8	9
1.5	5	Number of Standby Units	—	(zero-length)	1	readWrite(2)	0	10
1.6	6	Room Air Temperature Low Threshold	—	F	10	readWrite(2)	320	900
1.7	7	Room Air Temperature Low Threshold	—	C	10	readWrite(2)	0	322
1.8	8	Room Air Temperature High Threshold	—	F	10	readWrite(2)	600	1200
1.9	9	Room Air Temperature High Threshold	—	C	10	readWrite(2)	156	489
1.10	10	Supply Temperature High Threshold	—	F	10	readWrite(2)	600	1200
1.11	11	Supply Temperature High Threshold	—	C	10	readWrite(2)	156	489
1.12	12	Switchover Handoff Time	—	min	1	readWrite(2)	0	30
1.13	13	Runtime Balancing Difference	—	hr	1	readWrite(2)	24	720
1.14	14	Room Setpoint	—	F	10	readWrite(2)	620	950
1.15	15	Room Setpoint	—	C	10	readWrite(2)	167	350
1.16	16	Air Filter Service Interval	—	weeks	1	readWrite(2)	1	300
1.17	17	Free Cooling Minimum Damper Position	—	%	1	readOnly(1)	0	50
1.18	18	Free Cooling Minimum Damper Position	—	%	1	readOnly(1)	50	100
1.19	19	Low Fan Speed	—	%	1	readOnly(1)	0	100
1.20	20	High Fan Speed	—	%	1	readOnly(1)	0	100
1.21	21	Air Proving Inhibit Time	—	sec	1	readOnly(1)	30	180
1.22	22	Compressor Stage Delay	—	sec	1	readOnly(1)	5	120
1.23	23	Room Air Temperature Deadband	—	F	10	readOnly(1)	10	450
1.24	24	Room Air Temperature Deadband	—	C	10	readOnly(1)	6	250
1.25	25	Condenser Setpoint	—	F	10	readOnly(1)	700	1500
1.26	26	Condenser Setpoint	—	C	10	readOnly(1)	211	656
1.27	27	External Condenser PID Gain Coefficient	—	(zero-length)	100	readOnly(1)	0	25595
1.28	28	External Condenser PID Integral Coefficient	—	(zero-length)	100	readOnly(1)	0	25595
1.29	29	Ext. Condenser PID Derivative	—	(zero-length)	100	readOnly(1)	0	25595
1.30	30	Cooling Assist Threshold	—	F	10	readOnly(1)	10	450
1.31	31	Cooling Assist Threshold	—	C	10	readOnly(1)	6	250
1.32	32	Outdoor Air Temperature Offset	—	F	10	readOnly(1)	-100	100
1.33	33	Outdoor Air Temperature Offset	—	C	10	readOnly(1)	-56	56
1.34	34	Outdoor Humidity Ratio Threshold	—	gr/lbm	10	readOnly(1)	100	2000
1.35	35	Outdoor Humidity Ratio Threshold	—	g/Kg	10	readOnly(1)	14	286
1.36	36	Outside Air Temperature Threshold	—	F	10	readOnly(1)	1342176880	1500
1.37	37	Outside Air Temperature Threshold	—	C	10	readOnly(1)	-3084	656
1.38	38	Free Cooling Damper	—	%	1	readOnly(1)	0	100
1.39	39	Relative Switchover Time	—	min	1	readWrite(2)	0	59
1.40	40	Relative Switchover Time	—	hr	1	readWrite(2)	0	23
1.41	41	Relative Switchover Time	—	days	1	readWrite(2)	1	255

1	2	3	4	5	6	7	8	9
1.42	42	Day of Week Switchover Time	—	min	1	readWrite(2)	0	59
1.43	43	Day of Week Switchover Time	—	hr	1	readWrite(2)	0	23

coolingUnitConfigurationDiscreteTable

- Name: coolingUnitConfigurationDiscrete
- Type: OBJECT-TYPE
- OID: 1.3.6.1.4.1.318.1.1.27.1.5.2.2
- Full path:
iso(1).org(3).dod(6).internet(1).private(4).enterprises(1).apc(318).products(1).hardware(1).cooling(27).coolingUnit(1).coolingUnitConfiguration(5).coolingUnitConfigurationDiscrete(2).coolingUnitConfigurationDiscreteTable(2)
- Module: PowerNet-MIB
- Parent: coolingUnitConfigurationDiscrete
- First child: coolingUnitConfigurationDiscreteEntry
- Prev sibling: coolingUnitConfigurationDiscreteTableSize
- Numerical syntax: Sequence
- Base syntax: SEQUENCE OF CoolingUnitConfigurationDiscreteEntry
- Composed syntax: SEQUENCE OF CoolingUnitConfigurationDiscreteEntry
- Status: mandatory
- Max access: not-accessible
- Sequences:
 - 1: coolingUnitConfigurationDiscreteTableIndex - INTEGER(2 - integer (32 bit))
 - 2: coolingUnitConfigurationDiscreteDescription - DisplayString(4 - octets)
 - 3: coolingUnitConfigurationDiscreteValueAsString - DisplayString(4 - octets)
 - 4: coolingUnitConfigurationDiscreteValueAsInteger - INTEGER(2 - integer (32 bit))
 - 5: coolingUnitConfigurationDiscreteIntegerReferenceKey - DisplayString(4 - octets)
 - 6: coolingUnitConfigurationDiscreteAccess - INTEGER(2 - integer (32 bit))
- Description: A table of analog unit status data.
- Table headings
 - **1:** Instance
 - **2:** coolingUnitConfigurationDiscreteTableIndex(IDX)
 - **3:** coolingUnitConfigurationDiscreteDescription
 - **4:** coolingUnitConfigurationDiscreteValueAsString
NOTE: Value will vary based on readings or settings.
 - **5:** coolingUnitConfigurationDiscreteValueAsInteger
NOTE: Value will vary based on readings or settings.
 - **6:** coolingUnitConfigurationDiscreteIntegerReferenceKey
 - **7:** coolingUnitConfigurationDiscreteAccess

1	2	3	4	5	6	7
1.1	1	Fan Mode	—	—	Auto(0),On(1)	readWrite(2)
1.2	2	Fan Speed	—	—	Low(0),High(1)	readWrite(2)
1.3	3	Cooling Assist	—	—	Disabled(0),Enabled(1)	readWrite(2)
1.4	4	Room Temperature Mode	—	—	Local(0),Average(1)	readWrite(2)
1.5	5	Free Cooling Enable	—	—	No(0),Yes(1)	readWrite(2)

1	2	3	4	5	6	7
1.6	6	Free Cooling Mode	—	—	Fixed Dry Bulb(0), Differential Dry Buld (1),Fixed Enthalpy(2)	readWrite(2)
1.7	7	Warn when unit is off	—	—	No(0),Yes(1)	readWrite(2)
1.8	8	Preferred Role	—	—	Automatic(0),Primary (1)	readWrite(2)
1.9	9	Smoke/Fire Normal State	—	—	Normally Open(0), Normally Closed(1)	readWrite(2)
1.10	10	Remote Shutdown Normal State	—	—	Normally Open(0), Normally Closed(1)	readWrite(2)
1.11	11	Run Time Balancing	—	—	Disabled(0),Enabled (1)	readWrite(2)
1.12	12	Switchover Mode			Runtime Difference (0),Time Relative(1), Day of Week(2)	readWrite(2)
1.13	13	Day of Week Switchover Time	—	—	Sun(0),Mon(1),Tue (2),Wed(3),Thr(4),Fri (5),Sat(6)	readWrite(2)
1.14	14	Air Filter Service Alarm Enable			Disabled(0),Enabled (1)	readWrite(2)
1.15	15	Capacity	—	—	Not Configured (-1),6kW(0),12kW(1)	readOnly(1)
1.16	16	Direct Free Cooling Present			No(0),Yes(1)	readOnly(1)
1.17	16	Unit Service Alarm Enable	—	—	Disabled(0),Enabled (1)	readOnly(1)

coolingUnitConfigurationStringTable

- Name: coolingUnitConfigurationString
- Type: OBJECT-TYPE
- OID: 1.3.6.1.4.1.318.1.1.27.1.5.3.2
- Full path:
iso(1).org(3).dod(6).internet(1).private(4).enterprises(1).apc(318).products(1).hardware(1).cooling(27).coolingUnit(1).coolingUnitConfiguration(5).coolingUnitConfigurationString(3).coolingUnitConfigurationStringTable(2)
- Module: PowerNet-MIB
- Parent: coolingUnitConfigurationString
- First child: coolingUnitConfigurationStringEntry
- Prev sibling: coolingUnitConfigurationStringTableSize
- Numerical syntax: Sequence
- Base syntax: SEQUENCE OF CoolingUnitConfigurationStringEntry
- Composed syntax: SEQUENCE OF CoolingUnitConfigurationStringEntry
- Status: mandatory
- Max access: not-accessible
- Sequences:
 - 1: coolingUnitConfigurationStringTableIndex - INTEGER(2 - integer (32 bit))
 - 2: coolingUnitConfigurationStringDescription - DisplayString(4 - octets)
 - 3: coolingUnitConfigurationStringValue - DisplayString(4 - octets)
 - 4: coolingUnitConfigurationStringMaxLength - INTEGER(2 - integer (32 bit))
 - 5: coolingUnitConfigurationStringAccess - INTEGER(2 - integer (32 bit))
- Description: A table of unit configuration strings.
- Table headings
 - **1:** Instance
 - **2:** coolingUnitConfigurationStringTableIndex(IDX)
 - **3:** coolingUnitConfigurationStringDescription
 - **4:** coolingUnitConfigurationStringValue
NOTE: Value will vary based on readings or settings.
 - **5:** coolingUnitConfigurationStringMaxLength
 - **6:** coolingUnitConfigurationStringAccess

1	2	3	4	5	6
1.1	1	Name	—	255	readWrite(2)
1.2	2	Location	—	255	readWrite(2)

coolingUnitExtendedAnalogTable

- Name: coolingUnitExtendedAnalog
- Type: OBJECT-TYPE
- OID: 1.3.6.1.4.1.318.1.1.27.1.6.1.2
- Full path:
iso(1).org(3).dod(6).internet(1).private(4).enterprises(1).apc(318).products(1).hardware(1).cooling(27).coolingUnit(1).coolingUnitExtended(6).coolingUnitExtendedAnalog(1).coolingUnitExtendedAnalogTable(2)
- Module: PowerNet-MIB
- Parent: coolingUnitExtendedAnalog
- First child: coolingUnitExtendedAnalogEntry
- Prev sibling: coolingUnitExtendedAnalogTableSize
- Numerical syntax: Sequence
- Base syntax: SEQUENCE OF CoolingUnitExtendedAnalogEntry
- Composed syntax: SEQUENCE OF CoolingUnitExtendedAnalogEntry
- Status: mandatory
- Max access: not-accessible
- Sequences:
 - 1: coolingUnitExtendedAnalogTableIndex - INTEGER(2 - integer (32 bit))
 - 2: coolingUnitExtendedAnalogDescription - DisplayString(4 - octets)
 - 3: coolingUnitExtendedAnalogValue - INTEGER(2 - integer (32 bit))
 - 4: coolingUnitExtendedAnalogUnits - DisplayString(4 - octets)
 - 5: coolingUnitExtendedAnalogScale - INTEGER(2 - integer (32 bit))
- Description: A table of secondary analog data for the cooling unit or one of its components.
- Table headings
 - **1:** Instance
 - **2:** coolingUnitExtendedAnalogTableIndex(IDX)
 - **3:** coolingUnitExtendedAnalogDescription
 - **4:** coolingUnitExtendedAnalogValue
NOTE: Value will vary based on readings or settings.
 - **5:** coolingUnitExtendedAnalogUnits
 - **6:** coolingUnitExtendedAnalogScale

1	2	3	4	5	6
1.1	1	System Run Hours	—	hr	1
1.2	2	Compressor Run Hours	—	hr	1
1.3	3	Free Cooling Run Hours	—	hr	1
1.4	4	Air Filter Run Hours	—	hr	1
1.5	5	Evaporator Fan 1 Run Hours	—	hr	1
1.6	6	Evaporator Fan 2 Run Hours		hr	1
1.7	7	Evaporator Fan 3 Run Hours	—	hr	1
1.8	8	Condenser Fan 1 Run Hours		hr	1
1.9	9	Condenser Fan 2 Run Hours	—	hr	1
1.10	10	Compressor Cycle Counter		(zero-length)	1
1.11	11	Unit Service Alarm Interval	—	weeks	1

coolingUnitExtendedDiscreteTable

- Name: coolingUnitExtendedDiscreteTable
- Type: OBJECT-TYPE
- OID: 1.3.6.1.4.1.318.1.1.27.1.6.2.2
- Full path:
iso(1).org(3).dod(6).internet(1).private(4).enterprises(1).apc(318).products(1).hardware(1).cooling(27).coolingUnit(1).coolingUnitExtended(6).coolingUnitExtendedDiscrete(2).coolingUnitExtendedDiscreteTable(2)
- Module: PowerNet-MIB
- Parent: coolingUnitExtendedDiscrete
- First child: coolingUnitExtendedDiscreteEntry
- Prev sibling: coolingUnitExtendedDiscreteTableSize
- Numerical syntax: Sequence
- Base syntax: SEQUENCE OF CoolingUnitExtendedDiscreteEntry
- Composed syntax: SEQUENCE OF CoolingUnitExtendedDiscreteEntry
- Status: mandatory
- Max access: not-accessible
- Sequences:
 - 1: coolingUnitExtendedDiscreteTableIndex - INTEGER(2 - integer (32 bit))
 - 2: coolingUnitExtendedDiscreteDescription - DisplayString(4 - octets)
 - 3: coolingUnitExtendedDiscreteValueAsString - DisplayString(4 - octets)
 - 4: coolingUnitExtendedDiscreteValueAsInteger - INTEGER(2 - integer (32 bit))
 - 5: coolingUnitExtendedDiscreteIntegerReferenceKey - DisplayString(4 - octets)
- Description: A table of secondary discrete cooling unit data.
- Table headings
 - **1:** Instance
 - **2:** coolingUnitExtendedDiscreteTableIndex(IDX)
 - **3:** coolingUnitExtendedDiscreteDescription
 - **4:** coolingUnitExtendedDiscreteValueAsString
NOTE: Value will vary based on readings or settings.
 - **5:** coolingUnitExtendedDiscreteValueAsInteger
NOTE: Value will vary based on readings or settings.
 - **6:** coolingUnitExtendedDiscreteIntegerReferenceKey

1	2	3	4	5	6
1.1	1	Remote Shutdown Active	—	—	No(0),Yes(1)
1.2	2	Airflow Good	—	—	No(0),Yes(1)
1.3	3	Air Filter Clogged	—	—	No(0),Yes(1)
1.4	4	Compressor On	—	—	No(0),Yes(1)
1.5	5	Low Suction Pressure	—	—	No(0),Yes(1)
1.6	6	Smoke/Fire Detected	—	—	No(0),Yes(1)
1.7	7	Condenser Powered	—	—	No(0),Yes(1)
1.8	8	Condensate Pan Full	—	—	No(0),Yes(1)

coolingUnitExtendedStringTable

- Name: coolingUnitExtendedStringTable
- Type: OBJECT-TYPE
- OID: 1.3.6.1.4.1.318.1.1.27.1.6.3.2
- Full path:
iso(1).org(3).dod(6).internet(1).private(4).enterprises(1).apc(318).products
(1).hardware(1).cooling(27).coolingUnit(1).coolingUnitExtended(6).
coolingUnitExtendedString(3).coolingUnitExtendedStringTable(2)
- Module: PowerNet-MIB
- Parent: coolingUnitExtendedString
- First child: coolingUnitExtendedStringEntry
- Prev sibling: coolingUnitExtendedStringTableSize
- Numerical syntax: Sequence
- Base syntax: SEQUENCE OF CoolingUnitExtendedStringEntry
- Composed syntax: SEQUENCE OF CoolingUnitExtendedStringEntry
- Status: mandatory
- Max access: not-accessible
- Sequences:
 - 1: coolingUnitExtendedStringTableIndex - INTEGER(2 - integer (32 bit))
 - 2: coolingUnitExtendedStringDescription - DisplayString(4 - octets)
 - 3: coolingUnitExtendedStringValue - DisplayString(4 - octets)
- Description: A table of secondary unit reference data.

No table data.

Schneider Electric
35 rue Joseph Monier
92500 Rueil Malmaison
France

+ 33 (0) 1 41 29 70 00

www.schneider-electric.com

As standards, specifications, and design change from time to time,
please ask for confirmation of the information given in this publication.

© 2018 – 2019 Schneider Electric. All rights reserved.

990-6105