



# Compressor Acoustic Jacket—ACAC10035

## Safety

**⚡⚠ DANGER**

**HAZARD OF ELECTRIC SHOCK, EXPLOSION, OR ARC FLASH**

Turn off all power supplying this equipment before working on the equipment. All electrical work must be performed by qualified personnel. Practice Lockout/Tagout procedures. Do not wear jewelry when working with electrical equipment.

**Failure to follow these instructions will result in death or serious injury.**

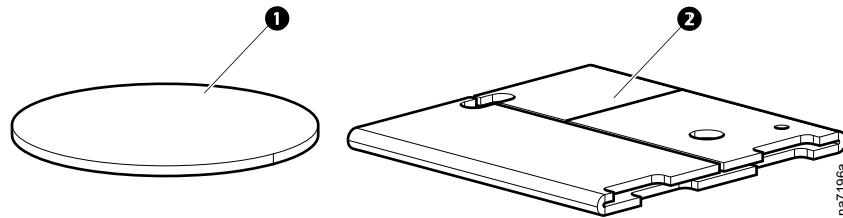
**⚠ CAUTION**

**HOT SURFACE**

Disconnect and lockout power and allow surface to cool before servicing.

**Failure to follow these instructions can result in injury or equipment damage.**

## Inventory



Item	Description
1	Compressor jacket cap
2	Compressor jacket body

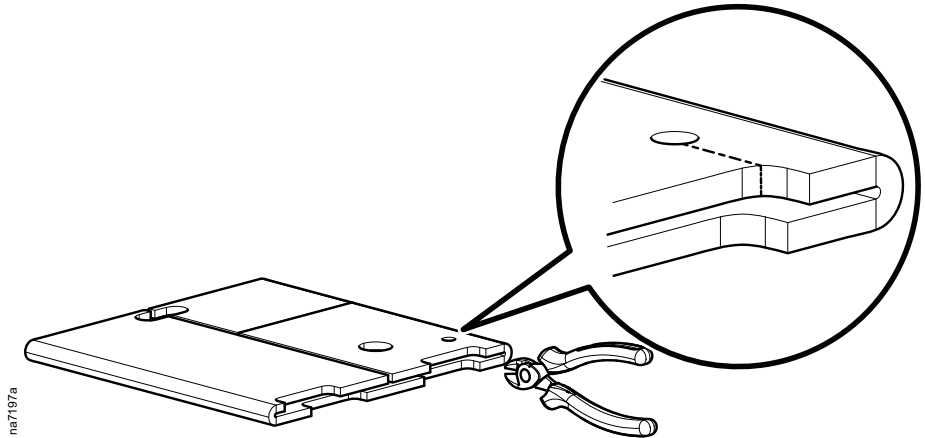
# Installation

1. Turn off power to the unit and wait for the compressor surface to cool.
2. Remove the service panel from the condensing unit.

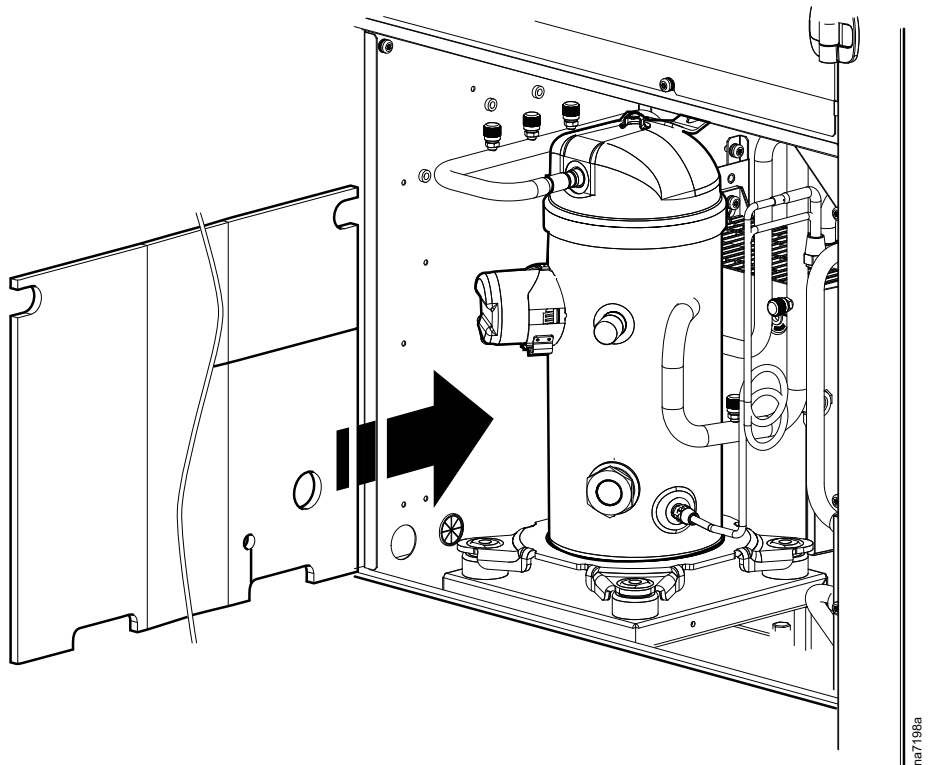


See the *InRow DX ACRD300 Series Installation Manual* for panel removal instructions.

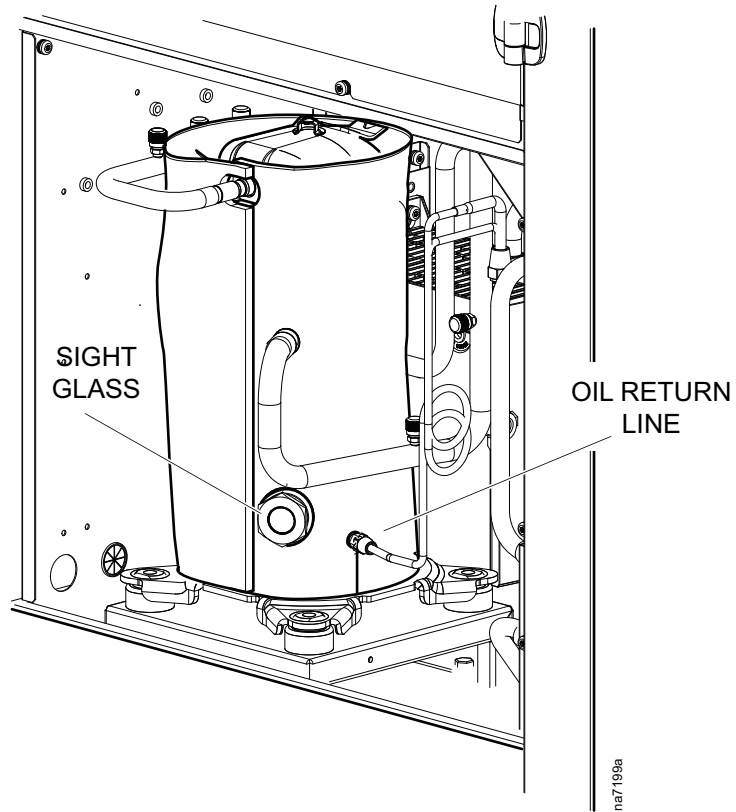
3. Cut a slit in the compressor jacket body to the oil return line opening.



4. Slide the compressor jacket body around the compressor from the left side.



- Seal the edges of the compressor jacket body together around the compressor. Make sure the sight glass is visible.



- Place the compressor cap on top of the jacket body and attach it with the hook and loop fasteners.

