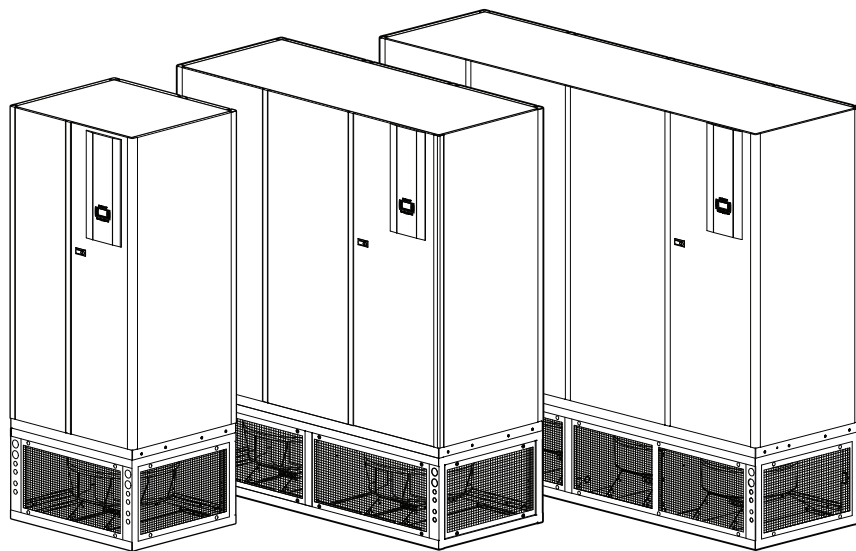




Uniflair™ Cooling Products (HDCV0800-5500)

Guide for Receiving, Unpacking, and Moving



Important. Save these instructions. This guide contains information for receiving, unpacking, and moving the equipment.



Recyclable materials: The shipping materials are recyclable. Save them for later use, or dispose of them appropriately.

Safety Information

▲WARNING
HEAVY EQUIPMENT
Use at least two people when handling and installing this equipment.
Failure to follow these instructions can result in death, serious injury, or equipment damage.

▲CAUTION
DAMAGE TO EQUIPMENT OR PERSONNEL
• The equipment is heavy and can be easily tipped. For safety purposes, adequate personnel must be present when moving the equipment.
Failure to follow these instructions can result in moderate injury or equipment damage.

Moving the equipment



Receiving

NOTICE
HAZARD TO EQUIPMENT
Do not stack anything on top of the packaged unit. Doing so can damage the unit.
Failure to follow these instructions can result in equipment damage.

Inspect the exterior packaging

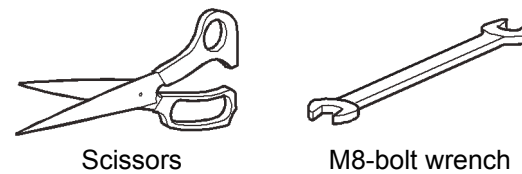
Before unpacking the equipment, verify that the labeled container matches the bill of lading.

Inspect the equipment

Once you have unpacked the equipment, carefully inspect its exterior.

NOTE: In case of shipping damage such as scratches or dents, see Worldwide Customer Support for contact information.

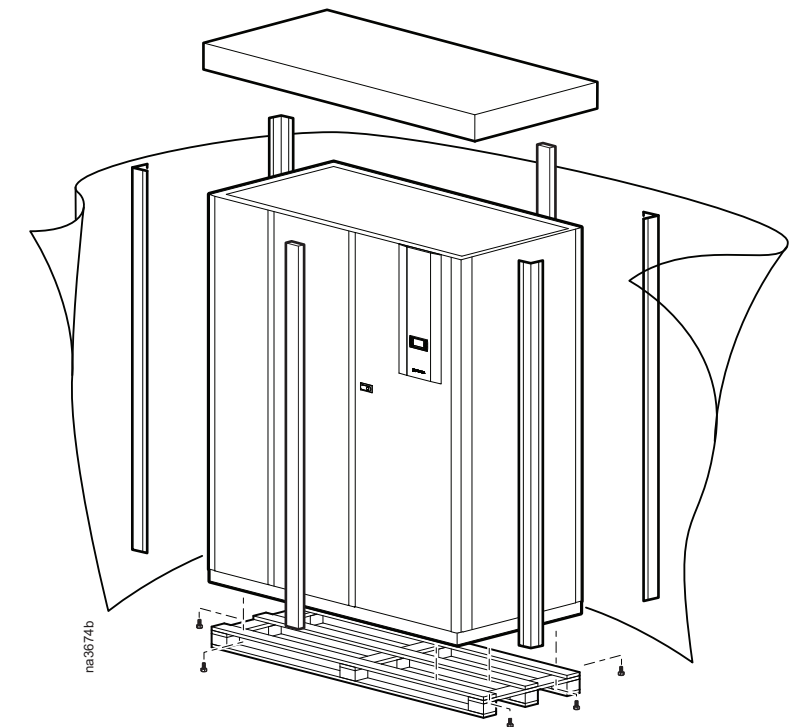
Tools Required



Unpacking

NOTICE
HAZARD TO EQUIPMENT
Leaving the equipment uncovered and exposed to possible damage from the environment will void the factory warranty.
Failure to follow these instructions can result in equipment damage.

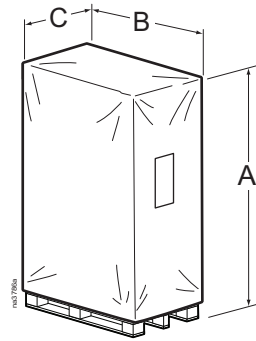
NOTE: When possible, leave the equipment on the pallet until you are ready to move it to its final location.



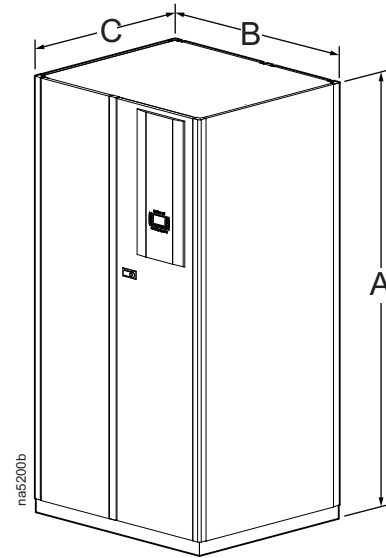
NOTE: When unpacking the unit, save the detaching hardware for future use (for example, it may be used to attach the unit to a floor stand, sub-base, or plenum).

Weights and Dimensions

Packaged



Unpackaged



Without Damper						
Frame Size	Model	Packaging Type	Dimensions (mm)			Weight (kg)
			A*	B	C	
3	0800	Standard	2155	1120	970	275 (300**)
		Wooden Crate	2185	1165	1010	295 (320**)
4	1300	Standard	2155	1430	970	285 (315**)
		Wooden Crate	2185	1470	1010	305 (335**)
	1400	Standard	2155	1430	970	325 (355**)
		Wooden Crate	2185	1470	1010	345 (375**)
5	1700	Standard	2155	1840	970	380 (415**)
		Wooden Crate	2185	1880	1010	405 (440**)
	1800	Standard	2155	1840	970	425 (460**)
		Wooden Crate	2185	1880	1010	450 (485**)
6	2500	Standard	2155	2300	970	430 (470**)
		Wooden Crate	2185	2340	1010	455 (495**)
	2900	Standard	2155	2300	970	490 (530**)
		Wooden Crate	2185	2340	1010	515 (555**)
7	4100	Standard	2155	2685	970	590 (635**)
		Wooden Crate	2185	2725	1010	620 (665**)
	4600	Standard	2155	2685	970	640 (685**)
		Wooden Crate	2185	2725	1010	670 (715**)
8	4800	Standard	2155	3215	970	650 (705**)
		Wooden Crate	2185	3255	1010	680 (740**)
	5100 5300	Standard	2155	3215	970	710 (765**)
		Wooden Crate	2185	3255	1010	740 (800**)
9	5500	Standard	2155	3515	970	990
		Wooden Crate	2185	3555	1010	1110

Frame Size	Model	Coil	Dimensions (mm)			Weight (kg)
			A	B	C	
3	0800	Single	1960	1010	865	255
		Dual				325
4	1300	Single	1960	1310	865	260
		Single				300
	Dual	335				
		1400				Single
5	1700	Single	1960	1720	865	395
		Single				445
	Dual	395				
		1800				Single
6	2500	Single	1960	2170	865	395
		Dual				500
	Single	455				
		2900				Single
7	4100	Single	1960	2580	865	540
	4600	Single				590
8	4800	Single	1960	3110	865	650
		Single				650
		Single				650
9	5500	Single	1960	3405	865	920

*With damper, add 110 mm to Standard packaging and 150 mm to Wooden Crate packaging.
 ** Weight with damper.

Worldwide Customer Support

Customer support for this or any other product is available at no charge in any of the following ways:

- Visit the Schneider Electric Web site to access documents in the Schneider Electric Knowledge Base and to submit customer support requests.
 - www.schneider-electric.com (Corporate Headquarters) Connect to localized Schneider Electric Web sites for specific countries, each of which provides customer support information.
 - www.schneider-electric.com/support/ Global support searching Schneider Electric Knowledge Base and using e-support.
- Contact the Schneider Electric Customer Support Center by telephone or e-mail.
 - Local, country-specific centers: go to www.schneider-electric.com > **Support** > **Operations around the world** for contact information.

For information on how to obtain local customer support, contact the representative or other distributors from whom you purchased your product.

As standards, specifications, and designs change from time to time, please ask for confirmation of the information given in this publication.

© 2015 Schneider Electric. All Rights Reserved.

Unifair and the Schneider Electric logo are trademarks owned by Schneider Electric Industries SAS S.A.S., or its affiliated companies. All other trademarks are the property of their respective owners.