

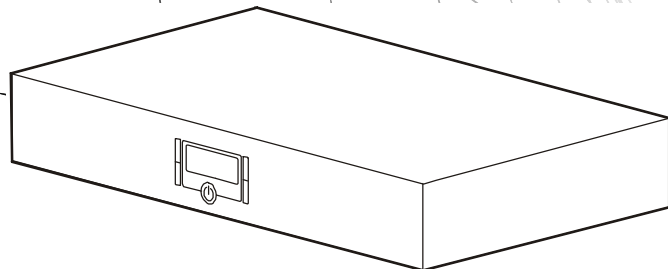


# Installation and Operation

## J Type Power Conditioner and Battery Backup

J25B  
J35B

120 Vac  
1440 VA, 865 W





<b>General Information</b> .....	<b>1</b>
Overview .....	1
Inventory .....	1
Safety .....	1
Product Overview .....	2
<b>Installation</b> .....	<b>3</b>
Connect Battery .....	3
Connect Input Power .....	3
Connect Equipment .....	3
<b>Operation</b> .....	<b>5</b>
Display Interface Menus .....	5
<b>Troubleshooting</b> .....	<b>9</b>
<b>Specifications</b> .....	<b>10</b>
<b>Replace Battery</b> .....	<b>10</b>
<b>Warranty</b> .....	<b>10</b>
<b>Español</b> .....	<b>13</b>
<b>Français (Canada)</b> .....	<b>25</b>



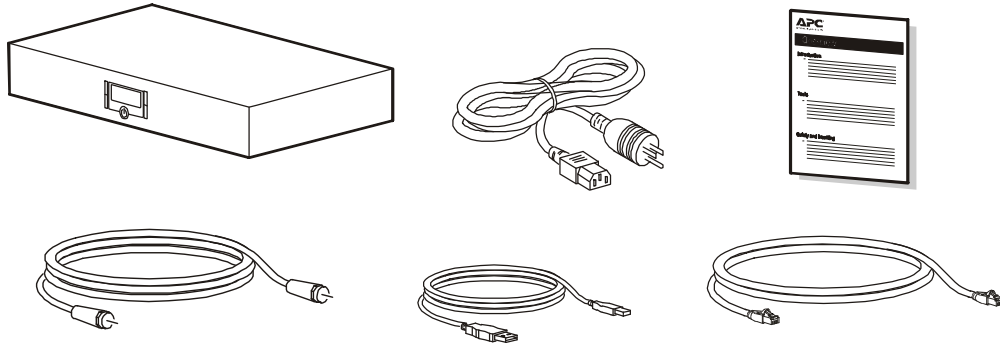
# General Information

---

## Overview

The APC by Schneider Electric J Type Power Conditioner protects audio-video systems from power spikes and surges. The J Type has noise filter banks, which reduce electromagnetic interference to ensure the best picture and sound quality. The unit also provides clean and safe power to connected equipment in the event of a power outage.

## Inventory



## Safety



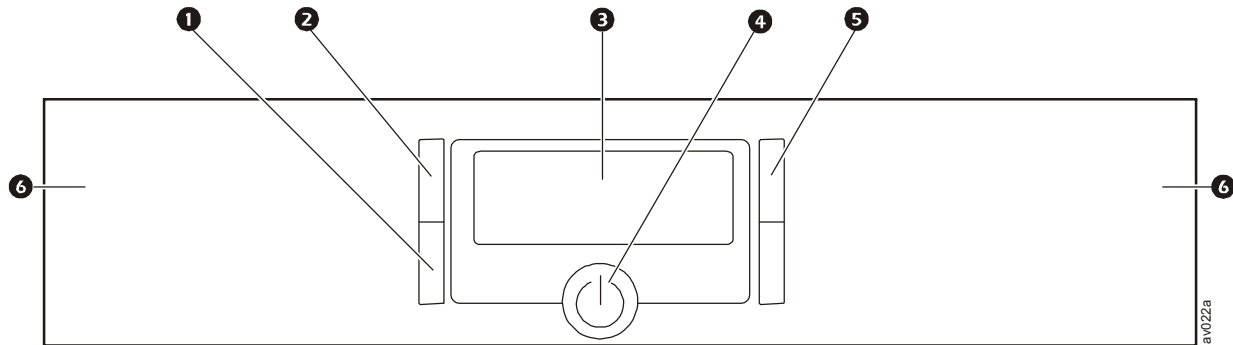
**Electrical Hazard:** For indoor use only.



- **Risk of electric shock.** Do not plug into another relocatable power tap.
- **Overloading.** Do not overload the wall outlet where this device is being connected. Do not overload this device. Ensure the total load to this device does not exceed that which is listed in the Specifications section of this manual.
- **Power.** Ensure this device is connected to a properly grounded AC power source. Further ensure the device is plugged into a source providing the required 120 Vac. Do not use a plug adapter that defeats the ground pin on the AC power plug.
- **Placement.** Do not install this device on any unsteady surface. Do not install this device on any heat source.
- **Water and Moisture.** Do not use this product near any source of water, or in an environment where the relative humidity may exceed 95% (non-condensing)
- **Polarization.** This device has a polarized AC line plug having one grounding pin. This plug will only fit into the wall outlet in one orientation. This is a safety feature. Do not remove the round grounding pin.
- **System Ground Terminal.** The unit provides for the connection of grounding wires from all of your equipment to a central terminal lug. This ground connection eliminates ground loop problems; tie all component grounds to this screw to break any possible ground loops that can cause an audible noise.
- **Servicing.** There are no user-serviceable components within this device. Removal of the rear cover of this device may present a shock hazard, and/or void the warranty.
- **Damage Requiring Service.** If any type of damage occurs to this device, immediately disconnect it from the wall outlet. Notify **Schneider Electric IT (SEIT)** Technical Support or Customer Service at once.

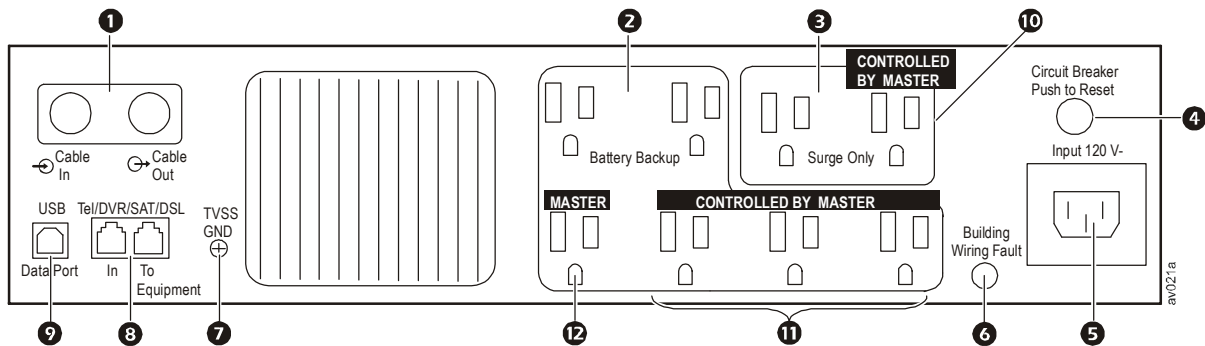
# Product Overview

## Front panel



- ❶ SETUP button - Push to scroll through the Setup menu screens. Press and hold for three seconds to save the current screen as the default screen.
- ❷ STATUS button - Push to scroll through the menu screens. Press and hold for 10 seconds to view the Diagnostic menu screens.
- ❸ LCD Display
- ❹ ON/OFF button - Push this button to apply power to the outlets. The unit will continue to provide surge protection when the unit is turned on or off.
- ❺ UP/DOWN buttons - Use the up and down buttons to scroll through options on the menu screens.
- ❻ Removable front bezel - The front bezel can be removed to connect the battery, or to replace the battery.

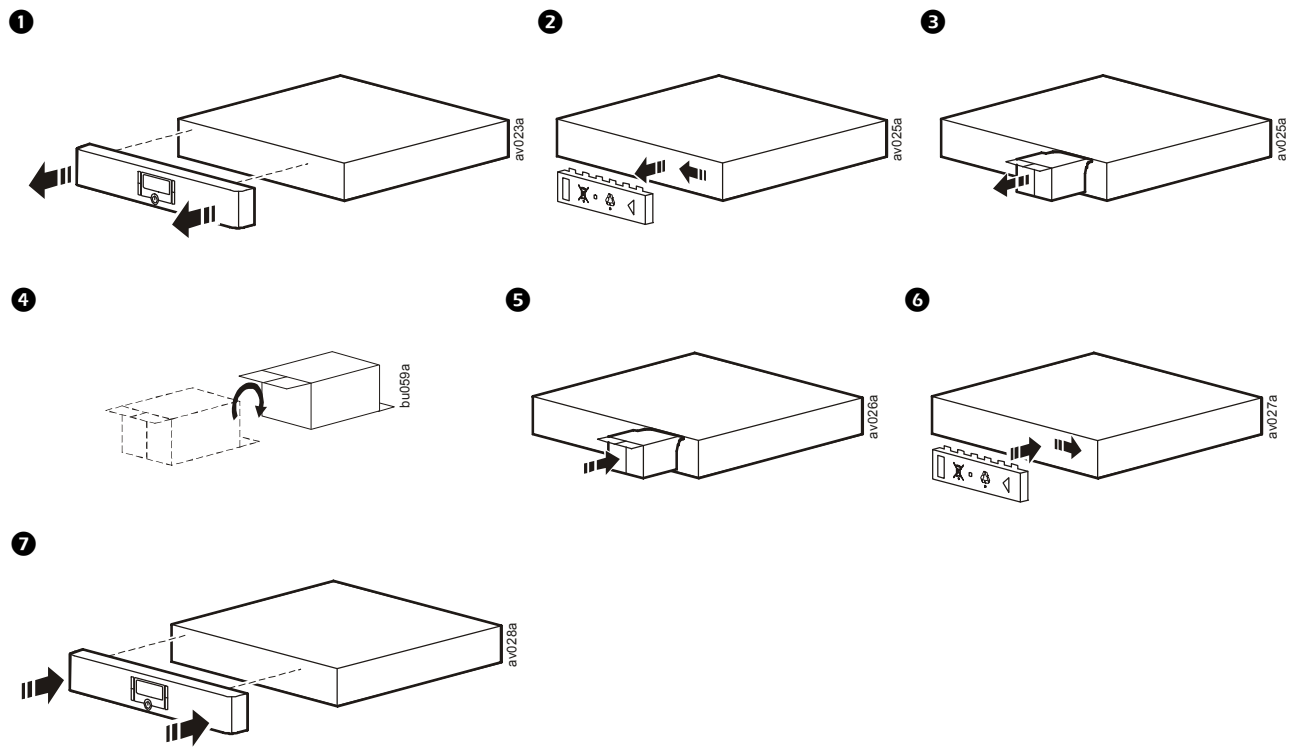
## Rear panel



- ❶ Coaxial surge protected, input and output connectors
- ❷ Battery Backup outlets with noise filtering; voltage regulation is available on the J35B model
- ❸ Surge Protection outlets with noise filtering
- ❹ Circuit breaker reset button
- ❺ 120 Vac input outlet, use with the supplied input power cord
- ❻ Building wiring fault LED See “Troubleshooting” on page 9.
- ❼ TVSS ground screw. Use a wire to connect any ungrounded component to this screw. Connecting to the TVSS screw will prevent sound or video interference from ungrounded equipment.
- ❽ Telephone line surge protection, input and output connectors
- ❾ USB port for use with optional PowerChute® Personal Edition software, available as a free download at [www.apc.com](http://www.apc.com). In the event of a power outage, this software will save files and gracefully shut down the computer. Use the supplied USB cable to connect the UPS to the home computer.
- ❿ Surge Protection, Controlled by Master outlet, J35B models only.
- ⓫ Controlled by Master outlets with Battery Backup, J35B models only.
- ⓬ Master outlet, J35B models only.

# Installation

## Connect Battery



## Connect Input Power



**Note:** If the unit is connected to input power and is OFF, it will still provide protection from power surges and spikes.

Use the input power cord to connect the unit to input power. If the unit is functioning properly, the display will illuminate. Connect the other end to a grounded, 120 Vac receptacle.

## Connect Equipment

### Battery Backup outlets

Connect equipment to the outlets on the rear panel of the unit.

- Battery backup outlets—connect equipment that requires power during a power outage to these outlets, such as a computer or DVR.
- Surge Protection only outlets—connect noncritical equipment to these outlets, as these outlets will not have power during a power outage. The outlets continue to provide surge protection, even if the unit is OFF.



**Note:** The number of components plugged into the battery backup outlets will determine the battery run time. The more components that draw power from the battery backup outlets during a power outage, the less battery backup time the unit will be able to provide.

## Power-Saving Master and Controlled outlets (J35 models only)

When the power-saving feature is enabled, the J35B reduces power consumption by automatically disconnecting AC power to devices that are not in use.

When the device connected to the Master outlet goes into sleep or standby mode, the J35B will disconnect power to components connected to the Controlled by Master outlets, conserving energy.

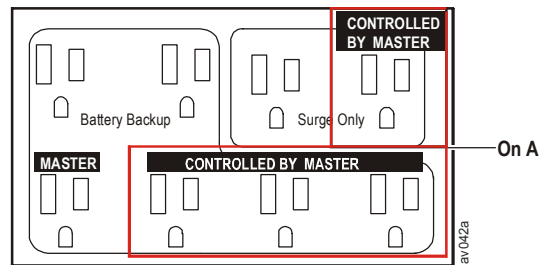
For example, if a desktop computer is connected to the Master outlet, when the computer goes into sleep mode, the J35B will disconnect power to peripheral devices such as a monitor, printer, and speakers that are connected to the Controlled by Master outlets.

Before connecting components to the unit, determine which components will utilize the Master and Controlled by Master outlets.

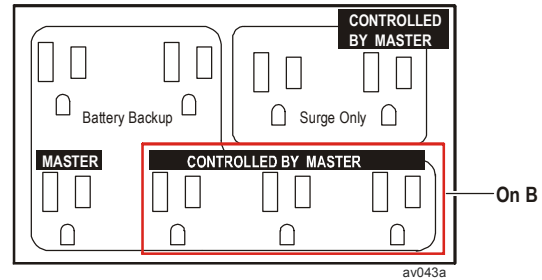
- Connect a master device such as a TV to the Master outlet.
- Connect peripheral devices such as amplifiers, DVD players, or sub-woofers to the Controlled by Master outlets.

The Controlled by Master outlets can be enabled in three ways. This provides multiple outlet configuration options.

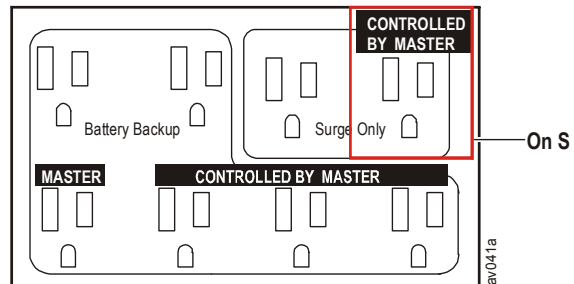
**On A** configuration enables all of the Controlled by the Master outlets.



**On B** configuration enables the Battery Backup outlets to be controlled by the Master outlet.



**On S** configuration enables the Surge Only outlets to be controlled by the Master outlet.



Connect components to the outlets on the rear panel of the unit.



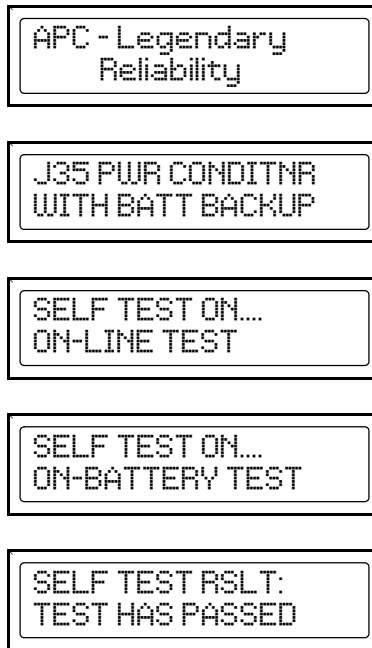
# Operation

---

## Display Interface Menus

### Start up menu screens

At initial start up, the LCD screen will scroll through several menu screens and perform a self test.



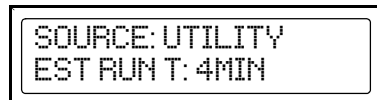
### Status menu

The Status menu shows the overall status of the unit and of each outlet on the unit. Push the STATUS button to move to the next screen. Use the arrow keys to scroll up and down.



**Note:** The menus shown in this manual are for reference only. Information displayed on the unit may be different than shown here.

### Source of output power and estimated available run time on battery.



The possible Source options include:

- **Utility:** Input power is safe and steady
- **Battery:** AC input power is not available or is at an unsafe level, the unit is supplying power from the batteries
- **Vac Boost:** AC input power is too low, the unit is increasing power to a safe level (J35B models only)
- **Vac TrimL:** AC input power is too high, the unit is decreasing power to a safe level (J35B models only)

**Estimate run time and current battery charge.** As the battery charge increases, the battery run time will also increase.

```
EST RUN T: 4 MIN  
50%
```

**System load.** The system load indicates how much power is being used by the connect equipment. The percentage indicates the amount of the unit capacity currently being used.

```
SYS LOAD: 900W  
90%
```

**Input and output voltage.**

```
INPUT VOLT: 120V  
OUTPUT VOLT: 120V
```

```
INPUT Hz: 60Hz  
OUTPUT Hz: 60Hz
```

**Model number and firmware.**

```
MDL#: J35B AV UPS  
FW VER: 874.P0.D
```

**Serial number.**

```
SN#:  
JB02008004444
```

**Service contact information.**

```
SERVICE TEL#:  
1-888-882-7228
```

**Web support information.**

```
WEB:WWW.APC.COM/  
SUPPORT
```

## Setup menu

Use the Setup menus to configure the unit. There are nine setup menus. Push the SETUP button to move to the next screen. Use the arrow keys to scroll up and down.



**Note:** The menus shown in this manual are for reference only. Information displayed on the unit may be different than shown here.

**Audio alarm.** Change the alarm setting to on or off. The unit will emit an audible beep if there is a fault or if the unit changes to operate on battery, has a low battery condition, or is overloaded.

```
AUDIO ALARM: OFF
PRESS ▼▲ TO CHNG
```

**Sensitivity.** Select Low, Medium, or High to determine how often the unit will switch to battery power. If the sensitivity is set to Low, the unit will tolerate more fluctuations in power, and will switch to battery less often. If the sensitivity is set to High, the unit will switch to battery power more often.

```
SENSITIVITY: MED
PRESS ▼▲ TO CHNG
```

**Display dimmer.** Change the brightness of the LCD display. Select Off for the display to completely darken when not in use. Push any button on the unit to illuminate the display.

```
DISPLAY DIM: ON
PRESS ▼▲ TO CHNG
```

**Voltage transfer point.** Set the value of the input AC voltage at which the unit will switch to battery power.

```
TO BAT IF < 88V
PRESS ▼▲ TO CHNG
```

**Green function.** Enable or disable the power-saving Master and Controlled outlets. See “Power-Saving Master and Controlled outlets (J35 models only)” on page 4.

```
GREEN FUNC: ON A
PRESS ▼▲ TO CHNG
```

```
GREEN FUNC: ON B
PRESS ▼▲ TO CHNG
```

```
GREEN FUNC: ON S
PRESS ▼▲ TO CHNG
```

**Green function - transfer threshold.** Configure the master outlet to recognize when the master device has gone into sleep or standby mode. Configure the delay between when the Master unit turns off and the peripheral units turn off.

```
MASTER THRES: 25W  
PRESS ▼▲ TO CHNG
```

```
CON ONDLY: 4 SEC  
PRESS ▼▲ TO CHNG
```

```
CON OFFDLY: 4 SEC-  
PRESS ▼▲ TO CHNG
```

**Low battery warning.** Set the time at which the unit will provide an audible warning that it almost exhausted battery power.

```
LOWBATTWARN: 2MIN  
PRESS ▼▲ TO CHNG
```

**Suggested battery replacement date.** The Repdate shows the date on which the battery was last replaced. Update this date if a new battery pack is installed.

```
REPCDATE: 3/04/12  
PRESS ▼▲ TO CHNG
```

**Self-test.** Select yes to initiate a self-test of the unit. If the test fails, contact **SEIT** technical support.

```
DO SELFTEST: NO  
PRESS ▼▲ TO CHNG
```

**Runtime calibration.** Perform a runtime calibration test to completely discharge the batteries, and recharge them. This allows the unit to accurately predict runtime capacity. This test should be run once a year, after the unit has been in service for at least one year.

```
RUNTIME CAL: NO  
PRESS ▼▲ TO CHNG
```

**LED and audible alarms test.** Perform this test to test the LEDs and the audible alarms on the unit.

```
DSPLY-BP TEST: NO  
PRESS ▼▲ TO CHNG
```

**Screen saver.** Turn the screen saver on or off.

```
SCREEN SAVER: ON  
PRESS ▼▲ TO CHNG
```

**Reset to factory defaults.** Reset all settings to the factory default.

```
RESET->DEFLT: NO  
PRESS ▼▲ TO CHNG
```

# Troubleshooting

Problem	Possible Cause	Corrective Action
<b>The unit will not turn on.</b>	The unit is not connected to <b>AC</b> power.	Ensure that the unit is securely connected to a <b>AC</b> power outlet.
	The internal battery is not connected.	Connect the battery.
<b>The unit does not provide power during a AC power outage.</b>	Ensure that essential equipment is <b>not</b> plugged into a SURGE ONLY outlet.	Disconnect equipment from the SURGE ONLY outlet and re-connect to a Battery Backup outlet.
<b>The unit is operating on battery power, while connected to AC power.</b>	The plug has partially pulled out of the wall outlet, the wall outlet is no longer receiving <b>AC</b> power, or the circuit breaker has been tripped.	Ensure that the plug is fully inserted into the wall outlet. Ensure that the wall outlet is receiving <b>AC</b> power by checking it with another device.
	The unit is performing an automatic self test.	No action is necessary.
	The <b>AC</b> input voltage is out of range, the frequency is out of range, or the waveform is distorted.	Adjust the transfer voltage and sensitivity range.
	The circuit breaker has been tripped.	Disconnect non-essential equipment from the unit. Reset the circuit breaker. Re-connect equipment one item at a time. If the circuit breaker is tripped again, disconnect the device that caused the trip.
<b>The unit does not provide the expected amount of backup time.</b>	Battery Backup outlets may be fully or improperly loaded.	Disconnect non-essential equipment from the Battery Backup outlets and connect the equipment to SURGE ONLY outlets.
	The battery was recently discharged due to a power outage and has not fully recharged.	Charge the battery cartridge for 16 hours.
	The battery has reached the end of its useful life.	Replace the battery.
<b>Power is not supplied to some outlets.</b>	Power to the Controlled outlets has intentionally been turned off.	Confirm that the correct peripherals are connected to Controlled outlets. If this feature is not desired, disable the Power-Saving Master and Controlled outlets.
<b>The Controlled outlets are not supplying power, even though the Master device is not in sleep mode.</b>	The Master Outlet threshold may be incorrectly set.	Adjust the threshold when the Master outlet signals the Controlled outlets to shut down.

# Specifications

Input/Output	J25B	J35B
Nominal Voltage	120 V	120 V
Input/Output Current	12 A	12 A
Frequency	47 - 63 Hz	47 - 63 Hz
Number of Outlet Receptacles	8 (6 battery backup, 2 surge only)	8 (6 battery backup, 2 surge only)
Dimensions (H x W x L)	9.76 cm x 43.18 cm x 40.64 cm (3.84 in x 17 in x 16 in)	9.76 cm x 43.18 cm x 40.64 cm (3.84 in x 17 in x 16 in)
Power Cord	2.43 m (8 ft.) right angle NEMA 5-15 plug	2.43 m (8 ft.) right angle NEMA 5-15 plug
<b>Environmental Performance Specifications</b>		
Operating temperature	0° – 40°C (32° – 104°F)	0° – 40°C (32° – 104°F)
Storage temperature	-15° – 45°C (5° – 113° F)	-15° – 45°C (5° – 113° F)
Net weight	25.74 lb (11.7 kg)	30.80 lb (14 kg)
Gross weight	30.14 lb (13.7 kg)	35.20 lb (16 kg)
Relative Humidity	0–95% non-condensing	0–95% non-condensing

## Replace Battery



Deliver the used battery to a recycling facility.

Replace the used battery with an APC by Schneider Electric approved battery. Replacement batteries can be ordered through the APC by Schneider Electric Web site, [www.apc.com](http://www.apc.com). Battery replacement part for J25B is the **APCRBC130** while J35B uses the **APCRBC131**.

## Warranty

The standard warranty is three (3) years from the date of purchase. Schneider Electric IT (SEIT) standard procedure is to replace the original unit with a factory reconditioned unit. Customers who must have the original unit back due to the assignment of asset tags and set depreciation schedules must declare such a need at first contact with an SEIT Technical Support representative. SEIT will ship the replacement unit once the defective unit has been received by the repair department, or cross ship upon the receipt of a valid credit card number. The customer pays for shipping the unit to SEIT. SEIT pays ground freight transportation costs to ship the replacement unit to the customer.



# APC by Schneider Electric IT Customer Support Worldwide



\*<sup>1</sup>This UPS is certified to comply with California Battery Charger System regulations.  
For more information go to [www.apc.com/site/recycle/index.cfm/energy-efficiency/cec-battery-charger/](http://www.apc.com/site/recycle/index.cfm/energy-efficiency/cec-battery-charger/).

\*<sup>1</sup>: Not applicable to J35B

© 2018 APC by Schneider Electric. APC, the APC logo are owned by Schneider Electric Industries S.A.S., or their affiliated companies. All other trademarks are property of their respective owners.

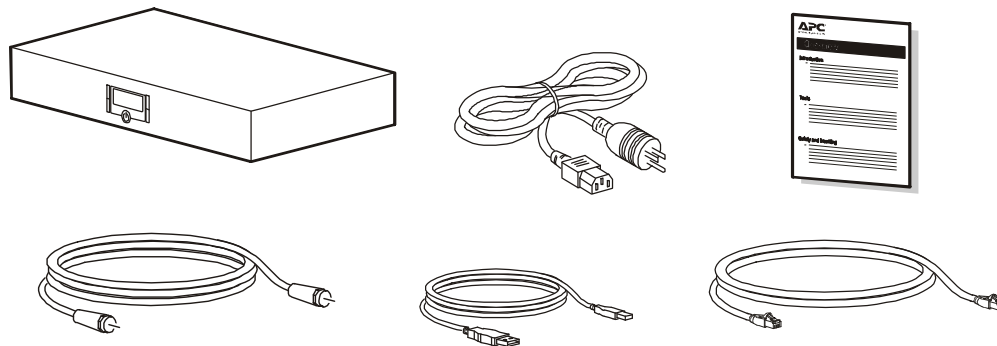


# Información general

## Descripción general

El acondicionador de alimentación tipo J de APC by Schneider Electric protege los sistemas de audio y vídeo contra los picos y subidas de tensión. El acondicionador tipo J cuenta con bancos de filtros de ruido, que reducen las interferencias electromagnéticas para garantizar la mejor calidad de imagen y sonido. La unidad también proporciona alimentación limpia y segura a los equipos conectados en caso de que se produzca una interrupción en el suministro eléctrico.

## Inventario



## Seguridad



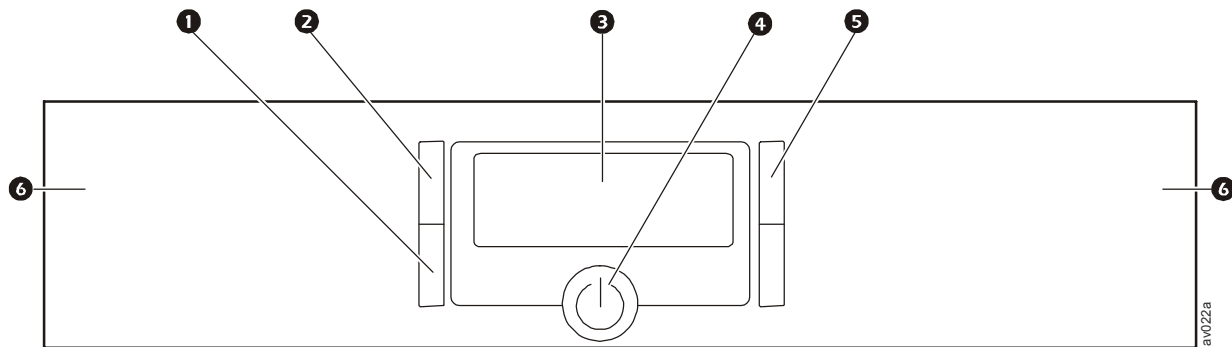
**Riesgo eléctrico:** Sólo para uso en interiores.



- **Riesgo de descarga eléctrica.** No conecte a otro enchufe de alimentación reubicable.
- **Sobretensión.** No sobrecargue el tomacorriente de pared cuando el dispositivo está conectado. No sobrecargue el dispositivo y asegúrese de que la carga total no supere los valores que figuran en la sección Especificaciones de este manual.
- **Alimentación.** Asegúrese de que este dispositivo esté conectado a una fuente de suministro de energía de CA con descarga a tierra. Además, asegúrese de que el dispositivo esté enchufado a una fuente que suministre el voltaje requerido de 120 VCA. No utilice un adaptador de enchufe que anule la clavija de conexión a tierra del enchufe de CA.
- **Colocación.** No instale este dispositivo en superficies inestables ni encima de una fuente de calor.
- **Agua y humedad.** No utilice este producto cerca de fuentes de agua ni en entornos donde la humedad relativa supere el 95% (sin condensación).
- **Polarización.** Este dispositivo cuenta con un enchufe polarizado para CA, que a su vez incluye una clavija de conexión a tierra. Se puede conectar al tomacorriente de pared en una única dirección. Este tipo de enchufe constituye una función de seguridad; no retire la clavija de conexión a tierra.
- **Terminal del sistema de conexión a tierra.** La unidad permite conectar los cables de conexión a tierra de todos los equipos a una lengüeta de conexión central. La conexión a tierra evita los problemas de bucle de tierra: al conectar todos los componentes, se produce una descarga a tierra que interrumpe los posibles bucles de tierra que causan ruidos.
- **Reparaciones.** Este dispositivo no cuenta con ningún componente que pueda ser reparado por el usuario. Si se retira la cubierta posterior del dispositivo, es posible que se produzca una descarga eléctrica y/o se anule la garantía.
- **Daños que deben repararse.** Si se produce algún tipo de daño en el dispositivo, desconéctelo inmediatamente del tomacorriente de pared. Notifique con la mayor brevedad al servicio de asistencia técnica o el servicio de atención al cliente de Schneider Electric IT (SEIT).

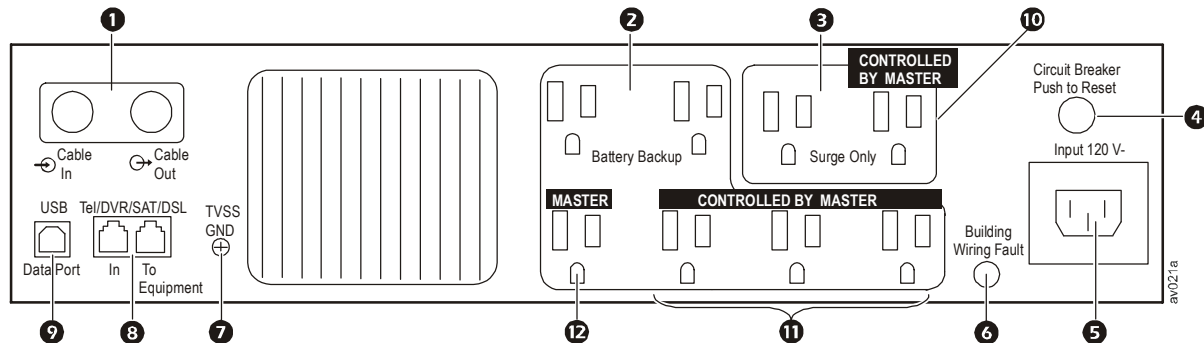
# Componentes

## Vista delantera



- 1 Botón de CONFIGURACIÓN: Pulse este botón para avanzar por las pantallas del menú de configuración. Manténgalo pulsado durante tres segundos para guardar la pantalla actual como pantalla predeterminada.
- 2 Botón de ESTADO: Pulse este botón para avanzar por las pantallas de menús. Manténgalo pulsado durante 10 segundos para ver las pantallas del menú de diagnósticos.
- 3 Pantalla LCD.
- 4 Botón de ENCENDIDO/APAGADO: Pulse este botón para suministrar alimentación a las salidas. Tenga en cuenta que aunque esté apagada, la unidad seguirá proporcionando protección contra las subidas de tensión.
- 5 Botones ARRIBA/ABAJO: Utilice los botones arriba y abajo para desplazarse por las opciones de las pantallas de menús.
- 6 Frontal extraíble: El frontal puede extraerse para conectar la batería o para sustituirla.

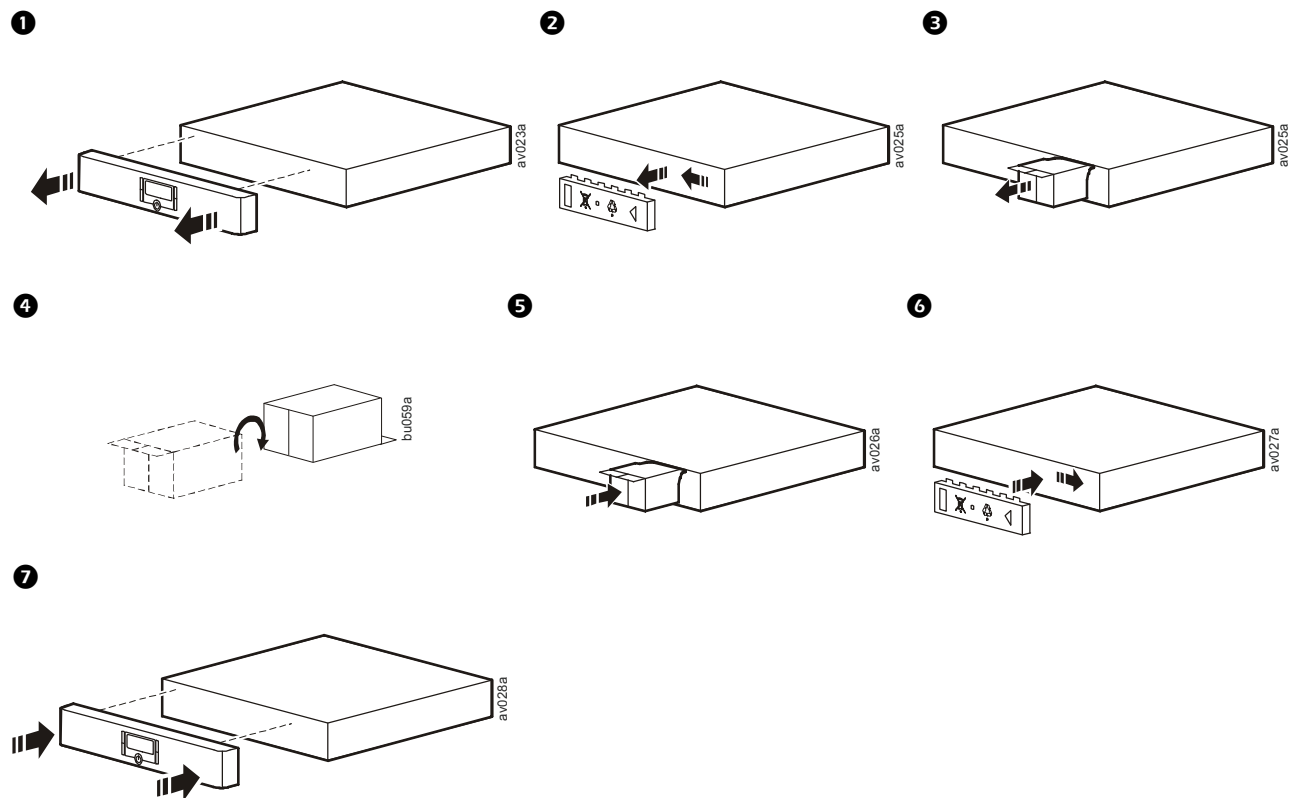
## Vista posterior



- 1 Tomas coaxiales de entrada y salida con protección contra sobretensiones.
- 2 Salidas de reserva de batería con protección contra sobretensiones y filtrado de ruido; la regulación de la tensión está disponible en el modelo J35B.
- 3 Salidas con protección contra sobretensiones y filtrado de ruido.
- 4 Botón de restablecimiento del disyuntor de circuito.
- 5 Toma de entrada de 120 V; debe usarse con el cable de alimentación de entrada suministrado.
- 6 Indicador de fallos de cableado del edificio (consulte “Resolución de problemas” en la página 21).
- 7 Tornillo de conexión a tierra TVSS. Utilice un cable para conectar los componentes sin toma de tierra a este tornillo. La conexión al tornillo TVSS evitará las interferencias de sonido y vídeo procedentes de los equipos sin toma de tierra.
- 8 Tomas de línea telefónica de entrada y salida con protección contra sobretensiones.
- 9 Puerto USB para uso con el software PowerChute Personal Edition opcional, disponible como descarga gratuita en [www.apc.com](http://www.apc.com). En caso de que se produzca una interrupción en el suministro eléctrico, este software guardará los archivos y apagará el equipo informático de forma correcta. Utilice el cable USB suministrado para conectar el SAI al equipo informático doméstico.
- 10 Controlado por la salida principal (sólo modelo J35B).
- 11 Controlado por las salidas principales (sólo modelo J35B).
- 12 Salida principal (sólo modelo J35B).

# Instalación

## Conexión de la batería



## Conexión de la alimentación de entrada



**Nota:** Si la unidad está conectada a alimentación de entrada y está apagada, seguirá ofreciendo protección contra los picos y subidas de tensión.

Utilice el cable de alimentación de entrada para conectar la unidad a la alimentación de entrada. Si la unidad funciona correctamente, se encenderá la pantalla. Conecte el otro extremo del cable a un receptáculo de 120 V con toma de tierra.

## Conexión de los equipos

### Salidas de reserva de batería y de protección contra sobretensiones

Conecte los equipos a las salidas del panel posterior de la unidad.

- Salidas de reserva de batería: Conecte equipos que necesiten alimentación durante una interrupción del suministro eléctrico a estas salidas, como por ejemplo un equipo informático o un grabador de vídeo digital.
- Salidas de sólo protección contra sobretensiones: Conecte equipos no vitales a estas salidas, ya que en caso de interrupción en el suministro eléctrico estas salidas no recibirán alimentación. Las salidas siguen ofreciendo protección contra las sobretensiones, incluso cuando la unidad está apagada.



**Nota:** El tiempo de autonomía de la batería vendrá determinado por el número de componentes conectados a las salidas de reserva de batería. Cuanto mayor sea el número de componentes que consuman alimentación de las salidas de reserva de batería durante una interrupción en el suministro eléctrico, menor será el tiempo de autonomía de la batería que la unidad podrá proporcionar.

## Salidas principal y controladas de ahorro de energía (sólo unidades J35)

Cuando la función de ahorro de energía está activada, la unidad J35B desconecta automáticamente la alimentación de CA hacia los dispositivos que no se utilizan para reducir el consumo de energía.

Cuando el dispositivo conectado a la salida principal se coloca en modo de hibernación o en espera, la unidad J35B desconecta la alimentación de los componentes conectados a las salidas controladas por la salida principal, a fin de ahorrar energía.

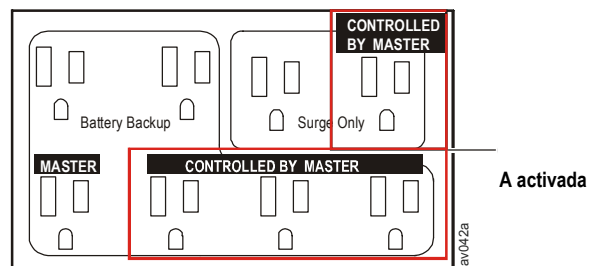
Por ejemplo, si un equipo informático de escritorio se conecta a la salida principal, cuando se sitúe en modo de hibernación la unidad J35B desconectará la alimentación de los dispositivos periféricos conectados a las salidas controladas por la salida principal, como por ejemplo un monitor, una impresora y altavoces.

Antes de conectar componentes a la unidad, determine cuáles son los que utilizarán las salidas principal y controladas.

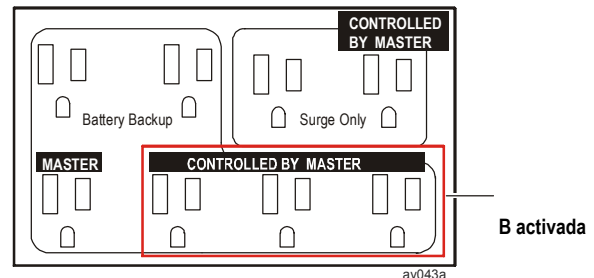
- Conecte un dispositivo principal como un televisor a la salida principal.
- Conecte dispositivos periféricos como amplificadores, reproductores de DVD o altavoces de graves a las salidas controladas.

Las salidas controladas por la salida principal se pueden activar de tres maneras. De este modo, se dispone de varias opciones de configuración de las salidas.

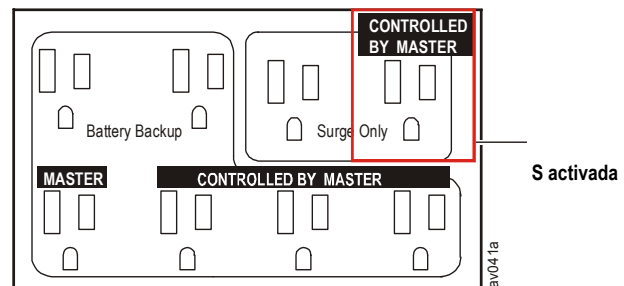
La configuración "**A activada**" activa todas las salidas controladas por la salida principal.



La configuración "**B activada**" activa las salidas de reserva de batería que deben ser controladas por la salida principal.



La configuración "**S activada**" activa salidas de sólo protección contra sobretensiones que deben ser controladas por la salida principal.



Conecte los componentes a las salidas ubicadas en el panel posterior de la unidad.

# Funcionamiento

## Menús de la interfaz de pantalla

### Pantallas de menús de inicio

Cuando la unidad se inicie por primera vez, en la pantalla LCD se mostrarán varias pantallas de menús y se realizará una prueba automática.

APC - FIABILIDAD  
LEGENDARIA

ACONDICIONADOR DE  
ALIMENTACIÓN J35  
CON RESERVA DE BATERÍA

PRUEBA AUTOMÁTICA  
ACTIVADA...  
PRUEBA EN LÍNEA

PRUEBA AUTOMÁTICA  
ACTIVADA...  
PRUEBA CON BATERÍA

RESULTADO DE LA  
PRUEBA AUTOMÁTICA:  
PRUEBA SUPERADA

### Menú Status (estado)

Este menú muestra el estado general de la unidad y de cada salida. Pulse el botón de ESTADO para pasar a la pantalla siguiente. Utilice las teclas de flechas para desplazarse hacia arriba y hacia abajo.



**Nota:** Los menús que se muestran en este manual son sólo para referencia. La información que se muestra en la unidad puede ser diferente a la que se muestra aquí.

**Origen de la alimentación de salida y tiempo de autonomía estimado de funcionamiento con batería.**

ORIGEN: RED ELÉCTRICA  
TIEMPO DE AUTONOMÍA  
ESTIMADO: 4 MIN

Las posibles opciones de Source (origen) son:

- **Utility (red eléctrica):** La alimentación de entrada es segura y constante
- **Battery (batería):** La alimentación de entrada de CA no está disponible o se encuentra en un nivel no seguro; la unidad suministra alimentación de las baterías
- **Vac Boost (aumento de V de CA):** La alimentación de entrada de CA es demasiado baja; la unidad aumenta la alimentación hasta alcanzar un nivel seguro (sólo modelos J35B)
- **Vac Trim (reducción de V de CA):** La alimentación de entrada de CA es demasiado alta; la unidad reduce la alimentación hasta alcanzar un nivel seguro (sólo modelos J35B)

**Tiempo de autonomía estimado y carga actual de la batería.** A medida que aumente la carga de la batería, también aumentará el tiempo de autonomía de la misma.

TIEMPO DE AUTONOMÍA  
ESTIMADO: 4 MIN  
50%

**Carga del sistema.** La carga del sistema indica la cantidad de alimentación que consumen los equipos conectados. El porcentaje indica la capacidad de la unidad que se está utilizando en ese momento.

CARGA DEL SISTEMA: 900 W  
90%

**Tensión de entrada y salida.**

TENSIÓN DE ENTRADA: 120 V  
TENSIÓN DE SALIDA: 120 V

FRECUENCIA DE ENTRADA:  
60 HZ  
FRECUENCIA DE SALIDA: 60 HZ

**Número de modelo y firmware.**

Nº DE MODELO: J35B AV UPS  
VERSIÓN FW: 874.P0.D

**Número de serie.**

Nº DE SERIE:  
JB02008004444

**Información de contacto de servicio.**

Nº DE CONTACTO DEL  
SERVICIO DE ASISTENCIA:  
1-888-882-7228

**Información de asistencia Web.**

WEB: WWW.APC.COM/  
SUPPORT

## Menú de configuración

Utilice los menús de configuración para configurar la unidad. Hay nueve menús de configuración. Pulse el botón de CONFIGURACIÓN para pasar a la pantalla siguiente. Utilice las teclas de flechas para desplazarse hacia arriba y hacia abajo.



**Nota:** Los menús que se muestran en este manual son sólo para referencia. La información que se muestra en la unidad puede ser diferente a la que se muestra aquí.

**Alarma sonora.** Puede configurar la alarma en encendida o apagada. La unidad emitirá un pitido si se produce un fallo o si la unidad pasa a funcionamiento en batería, el nivel de la batería es bajo o está sobrecargada.

ALARMA SONORA: DESACTIVADA  
PULSAR ▼▲ PARA CAMBIAR

**Sensibilidad.** Seleccione Low (baja), Medium (media) o High (alta) para determinar la frecuencia con la que la unidad pasará a alimentación de batería. Si la sensibilidad se ajusta en Low (baja), la unidad tolerará más fluctuaciones en la alimentación y pasará a funcionamiento en batería con menos frecuencia. Si la sensibilidad se ajusta en High (alta), la unidad de batería pasará a funcionamiento en batería con mayor frecuencia.

SENSIBILIDAD: MEDIA  
PULSAR ▼▲ PARA CAMBIAR

**Atenuador de la pantalla.** Puede cambiar el brillo de la pantalla LCD. Seleccione Off (apagada) para que la pantalla se oscurezca completamente cuando no se utilice. Pulse cualquier botón de la unidad para encender la pantalla.

ATENUADOR DE LA PANTALLA:  
ACTIVADO  
PULSAR ▼▲ PARA CAMBIAR

**Punto de transferencia de tensión.** Ajuste el valor de tensión de entrada de CA en el que la unidad pasará a alimentación de batería.

A LA BATERÍA SI < 88 V  
PULSAR ▼▲ PARA  
CAMBIAR

**Función ecológica.** Active o desactive las salidas principal y controladas de ahorro de energía. Consulte “Salidas principal y controladas de ahorro de energía (sólo unidades J35)” en la página 16.

FUN ECOLÓGICA: A ACTIVADA  
PULSAR ▼▲ PARA CAMBIAR

FUN ECOLÓGICA: B ACTIVADA  
PULSAR ▼▲ PARA CAMBIAR

FUN ECOLÓGICA: S ACTIVADA  
PULSAR ▼▲ PARA CAMBIAR

**Umbral de transferencia de la función ecológica.** Configure la salida principal para que reconozca el momento en el que el dispositivo principal se sitúa en modo de hibernación o en espera. Configure el retraso entre el momento en el que la unidad principal se apaga y las unidades de periféricos también se apagan.

UMBRAL PRINCIPAL: 25 W  
PULSAR ▼▲ PARA CAMBIAR

CONFIGURACIÓN ACTIVADA  
DEL RETRASO: 4 S  
PULSAR ▼▲ PARA CAMBIAR

CONFIGURACIÓN DESACTIVADA  
DEL RETRASO: 4 S  
PULSAR ▼▲ PARA CAMBIAR

**Advertencia de batería baja.** Ajuste el tiempo en el que la unidad proporcionará un aviso sonoro para indicar que casi se ha agotado la alimentación de la batería.

ADVERTENCIA DE BATERÍA  
BAJA: 2 MIN  
PULSAR ▼▲ PARA CAMBIAR

**Fecha sugerida de sustitución de la batería.** La opción Repdate (fecha de sustitución) muestra la fecha en la que la batería se sustituyó por última vez. Actualice esta fecha si se instala un nuevo paquete de baterías.

FECHA DE SUSTITUCIÓN: 3/04/12  
PULSAR ▼▲ PARA CAMBIAR

**Prueba automática.** Seleccione yes (sí) para iniciar una prueba automática de la unidad. Si la prueba no se realiza de forma correcta, póngase en contacto con el servicio de asistencia técnica de SEIT.

REALIZAR PRUEBA  
AUTOMÁTICA: NO  
PULSAR ▼▲ PARA CAMBIAR

**Calibración del tiempo de autonomía.** Realice una prueba de calibración del tiempo de autonomía para descargar las baterías por completo y volver a cargarlas. De este modo la unidad puede predecir con exactitud la capacidad de tiempo de autonomía. Esta prueba debe realizarse una vez al año, una vez que la unidad haya estado en servicio durante un año como mínimo.

CALIBRACIÓN DEL TIEMPO  
DE AUTONOMÍA: NO  
PULSAR ▼▲ PARA CAMBIAR

**Prueba de los LED y de las alarmas sonoras.** Realice esta prueba para comprobar los LED y las alarmas sonoras de la unidad.

PRUEBA DE LED Y ALARMAS: NO  
PULSAR ▼▲ PARA CAMBIAR

**Salvapantallas.** Puede activar o desactivar el salvapantallas.

SALVAPANTALLAS: ACTIVADO  
PULSAR ▼▲ PARA CAMBIAR

**Restaurar parámetros de fábrica.** Permite restablecer todos los parámetros a los valores predeterminados de fábrica.

RESTAURAR->VALORES  
PREDETERMINADOS: NO  
PULSAR ▼▲ PARA CAMBIAR



# Resolución de problemas

Problema	Posible causa	Acción correctiva
<b>La unidad no se enciende.</b>	La unidad no está conectada a la alimentación de CA.	Asegúrese de que la unidad esté bien conectada a una salida de CA.
	La batería interna no está conectada.	Conecte la batería.
<b>La unidad no proporciona alimentación durante una interrupción de la alimentación de CA.</b>	Compruebe que los equipos esenciales <b>no</b> estén conectados a una salida que sólo ofrezca PROTECCIÓN CONTRA SOBRETENSIONES.	Desconecte los equipos de las salidas de sólo PROTECCIÓN CONTRA SOBRETENSIONES y vuélvalos a conectar a salidas de reserva de batería.
<b>La unidad funciona con alimentación de batería cuando está conectada a la alimentación de CA.</b>	El enchufe se ha desconectado parcialmente de la toma de pared, la toma de pared ha dejado de recibir alimentación de CA o el disyuntor se ha activado.	Compruebe que el enchufe esté bien conectado a la toma de pared. Asegúrese de que la toma de pared reciba alimentación de CA; para ello, realice la comprobación con otro dispositivo.
	La unidad está realizando una prueba automática.	No es necesario realizar ninguna acción.
	La tensión de entrada de la alimentación de CA está fuera de intervalo, la frecuencia está fuera de intervalo o la forma de onda está distorsionada.	Ajuste la tensión de transferencia y el intervalo de sensibilidad.
	El disyuntor se ha activado.	Desconecte los equipos no esenciales de la unidad. Restablezca el disyuntor. Vuelva a conectar los equipos de uno en uno. Si el disyuntor vuelve a activarse, desconecte el dispositivo que ha causado su activación.
<b>La unidad no proporciona el tiempo de reserva previsto.</b>	Es posible que las salidas de reserva de batería reciban una carga completa o inadecuada.	Desconecte los equipos no esenciales de las salidas de reserva de batería y conéctelos a salidas de sólo PROTECCIÓN CONTRA SOBRETENSIONES.
	La batería se ha descargado recientemente debido a una interrupción en el suministro eléctrico y no se ha recargado por completo.	Cargue el cartucho de la batería durante 16 horas.
	La batería ha llegado al fin de su vida útil.	Sustituya la batería.
<b>No se suministra alimentación a algunas salidas.</b>	La alimentación dirigida a las salidas controladas se ha desactivado de forma intencionada.	Compruebe que los periféricos correctos se hayan conectado a salidas controladas. Si no se desea utilizar esta función, desactive las salidas principal y controladas con ahorro de energía.
<b>Las salidas controladas no suministran alimentación, a pesar de que el dispositivo principal no se encuentra en modo de hibernación.</b>	Es posible que el umbral de la salida principal esté ajustado de forma incorrecta.	Ajuste el umbral en el que la salida principal indica a las salidas controladas que deben apagarse.

# Especificaciones

Entrada/salida	J25B	J35B
Tensión nominal	120 V	120 V
Corriente de entrada/salida	12 A	12 A
Frecuencia	47 – 63 Hz	47 – 63 Hz
Número de receptáculos de salida	8 (6 de reserva de batería y 2 de protección contra sobretensiones solamente)	8 (6 de reserva de batería y 2 de protección contra sobretensiones solamente)
Dimensiones (altura x anchura x longitud)	9,76 cm x 43,18 cm x 40,64 cm (3.84 in x 17 in x 16 in)	9,76 cm x 43,18 cm x 40,64 cm (3.84 in x 17 in x 16 in)
Cable de alimentación	De 2,43 m (8 ft.) con enchufe en ángulo recto NEMA 5-15	De 2,43 m (8 ft.) con enchufe en ángulo recto NEMA 5-15
<b>Especificaciones ambientales de rendimiento</b>		
Temperatura de funcionamiento	0 – 40 °C (32 – 104 °F)	0 – 40 °C (32 – 104 °F)
Temperatura de almacenamiento	-15 – 45 °C (5 – 113 °F)	-15 – 45 °C (5 – 113 °F)
Peso neto	25,74 lb (11,7 kg)	30,80 lb (14 kg)
Peso bruto	30,14 lb (13,7 kg)	35,20 lb (16 kg)
Humedad relativa	0 – 95% sin condensación	0 – 95% sin condensación

## Reemplazo de la batería



Entregue la batería a una planta de reciclado.

Reemplace con una batería recomendada por APC by Schneider Electric. Las baterías de reemplazo se pueden solicitar a través del sitio Web de APC by Schneider Electric [www.apc.com](http://www.apc.com). La referencia de la batería de recambio para el modelo J25B es **APCRBC130**, mientras que el modelo J35B utiliza la batería **APCRBC131**.

## Garantía

La garantía estándar es de tres (3) años a partir de la fecha de compra. El procedimiento estándar que sigue Schneider Electric IT (SEIT) consiste en sustituir la unidad original por una unidad reparada en fábrica. Los clientes que deban recuperar la unidad original por motivos de asignación de placas de identificación y programas de depreciación establecidos deben manifestar esta necesidad en su primer contacto con un representante del servicio de asistencia técnica de SEIT. SEIT enviará la unidad de sustitución una vez que el departamento de reparaciones haya recibido la unidad defectuosa, o bien se realizará su envío anticipado tras la recepción de un número de tarjeta de crédito válido. El cliente deberá abonar el coste del envío de la unidad a SEIT. SEIT abonará los costes de transporte por tierra del envío de la unidad de sustitución al cliente.



# Servicio mundial de atención al cliente de APC by Schneider Electric IT



\*<sup>1</sup>Este SAI está certificado para cumplir con las regulaciones del sistema de carga de batería de California. Para más información, visite [www.apc.com/site/recycle/index.cfm/energy-efficiency/cec-battery-charger/](http://www.apc.com/site/recycle/index.cfm/energy-efficiency/cec-battery-charger/).

\*<sup>1</sup>: No corresponde a J35B

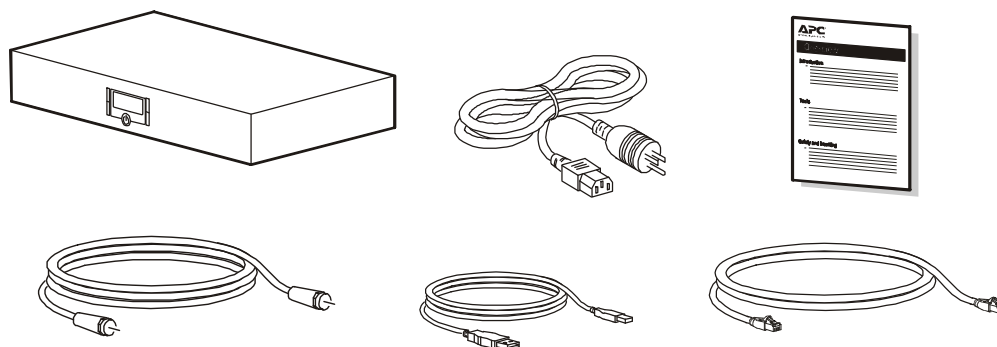
© 2018 APC by Schneider Electric. APC y el logo de APC son propiedad de Schneider Electric Industries S.A.S. o sus empresas afiliadas. Todas las demás marcas comerciales son propiedad de sus respectivos titulares.

# Informations générales

## Présentation

Le conditionneur d'alimentation de type J d'APC by Schneider Electric protège les systèmes audio/vidéo des transitoires et surtensions. Le modèle type J est doté de filtres antibruits, qui limitent les interférences électromagnétiques afin de garantir une qualité de son et d'image optimale. L'appareil offre en outre une alimentation propre en toute sécurité des équipements reliés en cas de panne de courant.

## Inventaire



## Sécurité



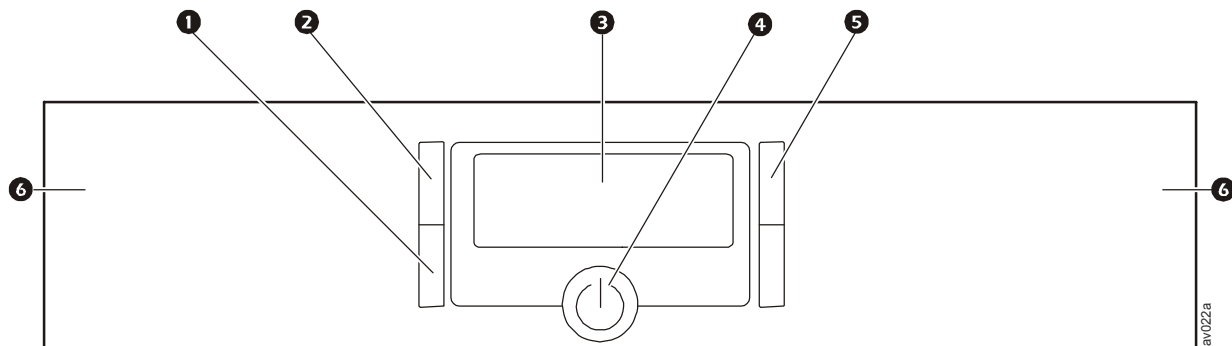
**Danger électrique** : pour une utilisation à l'intérieur uniquement.



- **Risque de décharge électrique.** Ne branchez pas l'appareil dans une autre prise électrique relogeable.
- **Surcharge.** Ne surchargez pas la prise murale sur laquelle est branché l'appareil. Ne surchargez pas l'appareil. Assurez-vous que la charge totale de l'appareil n'excède pas la valeur indiquée dans la section Caractéristiques de ce manuel.
- **Alimentation.** Assurez-vous que l'appareil est branché à une source d'alimentation CA correctement mise à la terre. Vérifiez également que l'appareil est branché à une source d'alimentation de 120 V CA. N'utilisez pas d'adaptateur dans le but de contourner la mise à la terre de la fiche électrique d'alimentation CA.
- **Emplacement.** N'installez pas l'appareil sur une surface instable. N'installez pas l'appareil sur une source de chaleur.
- **Eau et humidité.** N'utilisez pas l'appareil à proximité d'une source d'eau, ni dans un environnement dont l'humidité relative risque de dépasser 95 % (sans condensation).
- **Polarisation.** Cet appareil a une fiche CA polarisée ayant une broche de mise à la terre. Cette fiche ne s'insère dans la prise murale que dans un seul sens. Il s'agit d'un dispositif de sécurité. Ne retirez pas la broche ronde de mise à la terre.
- **Borne principale de mise à la terre.** Cet appareil permet la connexion de câbles de mise à la terre pour tous vos équipements grâce à une borne centrale. Cette mise à la terre permet d'éviter les problèmes de boucle de masse. Reliez toutes les masses de vos équipements à cette vis pour éliminer toute boucle de masse potentielle susceptible de causer un bruit audible.
- **Entretien et réparation.** Cet appareil n'est composé d'aucun élément ou pièce réparable par l'utilisateur. L'ouverture du couvercle arrière de l'appareil représente un risque de choc électrique et/ou entraîne l'annulation de la garantie.
- **Dommmages nécessitant réparation.** En cas de dommage quel qu'il soit, débranchez l'appareil immédiatement de la prise murale. Contactez sans tarder le service de soutien technique ou le service à la clientèle d'Schneider Electric IT (SEIT).

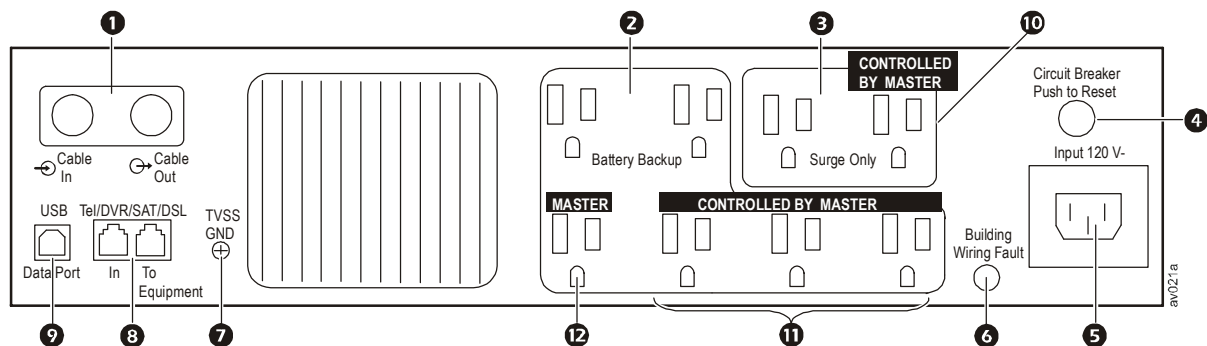
# Composants

## Vue de face



- 1 Bouton CONFIGURATION : appuyez sur ce bouton pour naviguer dans le menu de configuration. Maintenez-le enfoncé pendant trois secondes pour définir l'écran affiché comme écran par défaut.
- 2 Bouton ETAT : appuyez sur ce bouton pour naviguer dans le menu correspondant. Maintenez-le enfoncé 10 secondes pour afficher les écrans du menu Diagnostics.
- 3 Ecran LCD.
- 4 Bouton MARCHE/ARRET : appuyez sur ce bouton pour alimenter les prises. L'appareil continue de protéger les équipements contre les surtensions, même lorsqu'il est hors tension.
- 5 Boutons HAUT/BAS : permettent de naviguer parmi les options des écrans de menu.
- 6 Panneau avant amovible : le panneau avant peut être déposé pour connecter ou remplacer la batterie.

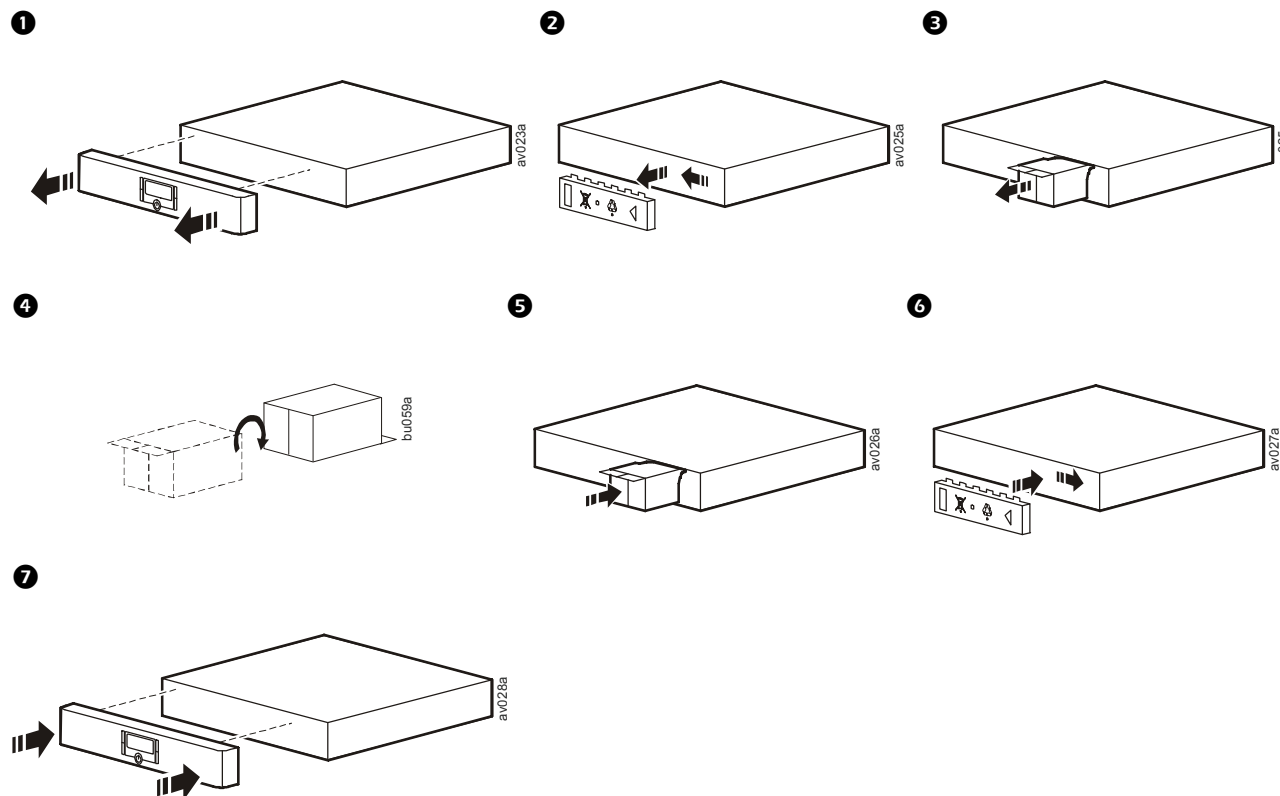
## Vue arrière



- 1 Prises coaxiales d'entrée et de sortie protégées contre les surtensions.
- 2 Prises de la batterie de secours protégées contre les surtensions et équipées de filtre antibruit. Régulation de la tension disponible sur le modèle J35B.
- 3 Prises protégées contre les surtensions avec filtre antibruit.
- 4 Bouton de réinitialisation du disjoncteur.
- 5 Prise d'entrée de 120 V, à utiliser avec le cordon d'alimentation d'entrée fourni.
- 6 Indicateur de panne au niveau du câblage du bâtiment (reportez-vous à la section « Dépannage » à la page 33).
- 7 Vis de mise à la terre du parasurtenseur. Reliez tout équipement non mis à la terre à cette vis à l'aide d'un câble. La connexion à la vis du parasurtenseur empêche toute interférence audio ou vidéo en provenance des équipements non reliés à la terre.
- 8 Prises d'entrée et de sortie protégées contre les surtensions pour câble téléphonique.
- 9 Port USB pour la connexion du logiciel PowerChute Personal Edition en option, téléchargeable gratuitement sur [www.apc.com](http://www.apc.com). En cas de panne de courant, ce logiciel sauvegarde les fichiers et met l'ordinateur hors tension en douceur. Utilisez le câble USB fourni pour relier l'onduleur à l'ordinateur.
- 10 Prise contrôlée par la prise principale (modèle J35B uniquement).
- 11 Prises contrôlées par la prise principale (modèle J35B uniquement).
- 12 Prise principale (modèle J35B uniquement).

# Installation

## Connexion de la batterie



## Connexion de l'alimentation d'entrée



**Remarque :** si l'appareil est relié à une alimentation d'entrée et est hors tension, il continue de protéger les équipements reliés contre les surtensions et les transitoires.

Reliez l'appareil à l'alimentation à l'aide du cordon d'alimentation d'entrée fourni. Si l'appareil fonctionne correctement, l'écran s'allume. Branchez l'autre extrémité du câble à une prise de 120 V reliée à la terre.

## Connexion de l'équipement

### Batterie de secours et prises protégées contre les surtensions

Connectez les équipements aux sorties du panneau arrière de l'appareil.

- Prises de la batterie de secours : connectez-y les équipements qui doivent rester alimentés en cas de panne de courant, tels qu'un ordinateur ou un enregistreur numérique.
- Prises protégées contre les surtensions : connectez-y les équipements non critiques car ces prises ne sont pas alimentées en cas de panne de courant. Elles continuent de protéger contre les surtensions même lorsque l'appareil est hors tension.



**Remarque :** le nombre d'équipements branchés sur les prises de la batterie de secours détermine son autonomie. Plus le nombre d'équipements alimentés par la batterie de secours en cas de panne de courant est élevé, plus l'autonomie de la batterie est réduite.

## Prise principale et prises contrôlées à économie d'énergie (modèle J35 uniquement)

Lorsque la fonction d'économie d'énergie est activée, le J35B réduit la consommation d'énergie en déconnectant automatiquement l'alimentation CA aux périphériques qui ne sont pas en cours d'utilisation.

Lorsque l'équipement relié à la prise principale passe en mode veille, le J35B interrompt l'alimentation des équipements reliés aux prises contrôlées par la prise principale afin d'économiser l'énergie.

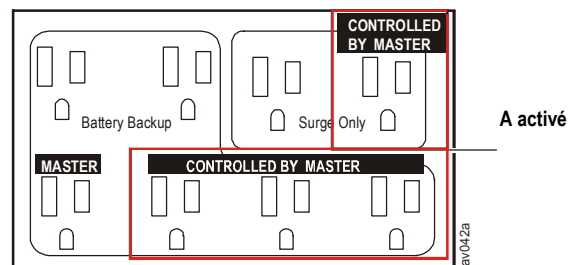
Par exemple, si un ordinateur de bureau est relié à la prise principale, lorsqu'il passe en mode veille, le J35B déconnecte les périphériques reliés aux prises contrôlées par la prise principale, tels que l'écran, l'imprimante et les haut-parleurs.

Avant de brancher des périphériques à l'appareil, déterminez s'ils doivent être raccordés à la prise principale ou à une prise contrôlée.

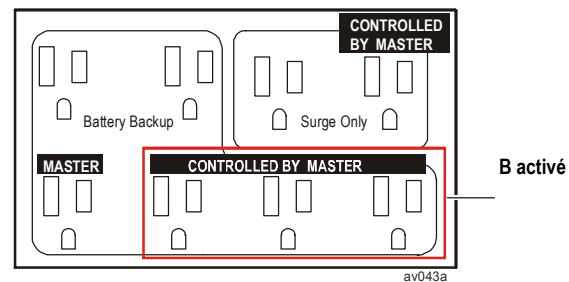
- Branchez un appareil principal tel qu'un téléviseur à la prise principale.
- Branchez les périphériques tels que les amplificateurs, lecteurs DVD ou caissons de basses aux prises contrôlées.

Les prises contrôlées par la prise principale peuvent être activées de trois manières pour offrir des multiples options de configuration.

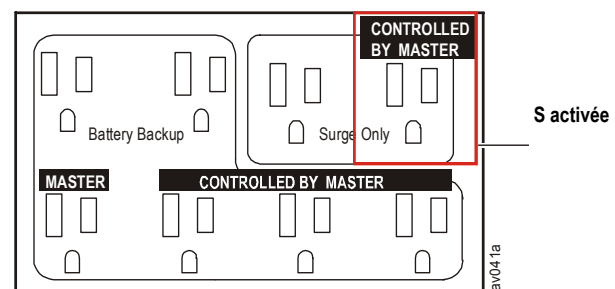
La configuration **A activé** active toutes les prises contrôlées par la prise principale.



La configuration **B activé** active les prises de la batterie de secours à contrôler par la prise principale.



La configuration **S activée** active les prises protégées contre les surtensions à contrôler par la prise principale.



Branchez les périphériques aux prises situées à l'arrière de l'appareil.

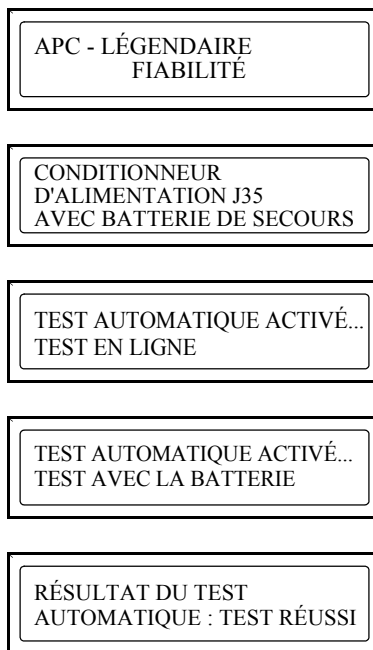


# Fonctionnement

## Menus de l'interface d'affichage

### Ecrans du menu de démarrage

Au démarrage initial, l'écran LCD affiche une série d'écrans de menu et procède à un test automatique.



### Menu Status (Etat)

Le menu Status affiche l'état général de l'appareil et de chacune des prises. Appuyez sur le bouton ETAT pour passer à l'écran suivant. Parcourez les options du menu à l'aide des touches fléchées.



**Remarque** : les menus illustrés dans ce manuel sont donnés uniquement à titre de référence. Les informations affichées sur l'appareil peuvent être différentes.

### Source de l'alimentation de sortie et autonomie estimée de la batterie.



Les sources possibles sont :

- **Secteur** : Alimentation d'entrée fiable et sécurisée.
- **Batterie** : L'alimentation d'entrée CA n'est pas disponible ou est à un niveau dangereux ; l'appareil fournit l'alimentation à partir des batteries
- **Augmentation de la tension** : L'alimentation d'entrée CA est trop faible ; l'appareil augmente la puissance à un niveau sécuritaire (J35B modèles uniquement)
- **Diminution de la tension** : L'alimentation d'entrée CA est trop élevée ; l'appareil diminue la puissance à un niveau sécuritaire (J35B modèles uniquement)

**Autonomie estimée et charge de la batterie.** L'autonomie de la batterie augmente à mesure que sa charge augmente.

TEMPS DE FONCTIONNEMENT  
ESTIMÉ : 4 MIN  
50%

**Charge du système.** La charge du système indique la puissance utilisée par les équipements reliés. Le pourcentage indique la proportion de la capacité totale de l'appareil actuellement utilisée.

CHARGE DU SYSTÈME : 900 W  
90%

**Tension d'entrée et de sortie.**

TENSION D'ENTRÉE : 120 V  
TENSION DE SORTIE : 120 V

FRÉQUENCE D'ENTRÉE : 60 HZ  
FRÉQUENCE DE SORTIE : 60 HZ

**Numéro de modèle et version du microprogramme.**

NUMÉRO DE MODÈLE : J35B AV  
UPS  
VERSION FW : 874.P0.D

**Numéro de série.**

NUMÉRO DE SÉRIE :  
JB02008004444

**Coordonnées de l'assistance technique.**

COORDONNÉES DE  
L'ASSISTANCE  
TECHNIQUE : 1-888-882-7228

**Informations d'assistance sur Internet.**

WEB:WWW.APC.COM/  
SUPPORT

## Menu Configuration

Les menus Setup permettent de configurer l'appareil. Ils sont au nombre de neuf. Appuyez sur le bouton CONFIGURATION pour passer à l'écran suivant. Parcourez les options du menu à l'aide des touches fléchées.



**Remarque :** les menus illustrés dans ce manuel sont donnés uniquement à titre de référence. Les informations affichées sur l'appareil peuvent être différentes.

**Alarme sonore.** Activez ou désactivez l'alarme sonore. Une alarme sonore retentit en cas de panne, si l'appareil passe en mode d'alimentation sur batterie, si la batterie est faible ou en cas de surcharge.

ALARME SONORE : DÉSACTIVÉE  
APPUYEZ SUR ▼▲ POUR MODIFIER

**Sensibilité.** Sélectionnez le degré de sensibilité (Low, Medium ou High) pour déterminer le seuil auquel l'appareil passe en mode d'alimentation sur batterie. Si la sensibilité est définie sur Low (Faible), l'appareil tolérera plus de fluctuations de l'alimentation du réseau électrique et basculera moins souvent sur batterie. Si elle est définie sur High (Elevée), l'appareil basculera plus souvent sur batterie.

SENSIBILITÉ : MOYENNE  
APPUYEZ SUR ▼▲ POUR MODIFIER

**Luminosité de l'affichage.** Modifiez la luminosité de l'écran LCD. Sélectionnez Off (Eteint) pour éteindre complètement l'écran lorsqu'il n'est pas utilisé. Appuyez sur n'importe quel bouton de l'appareil pour allumer l'écran.

LUMINOSITÉ DE L'AFFICHAGE :  
ACTIVÉE  
APPUYEZ SUR ▼▲ POUR MODIFIER

**Point de transfert de tension.** Réglez la valeur d'entrée CA à laquelle l'appareil passera à l'alimentation par batterie.

À LA BATTERIE SI < 88 V  
APPUYEZ SUR ▼▲ POUR MODIFIER

**Economie d'énergie.** Activez ou désactivez les prises principale et contrôlées à économie d'énergie. Reportez-vous à la section « Prise principale et prises contrôlées à économie d'énergie (modèle J35 uniquement) » à la page 28.

ECONOMIE D'ENERGIE: A ACTIVE  
APPUYEZ SUR ▼▲ POUR MODIFIER

ECONOMIE D'ENERGIE: B ACTIVE  
APPUYEZ SUR ▼▲ POUR MODIFIER

ECONOMIE D'ENERGIE: S ACTIVE  
APPUYEZ SUR ▼▲ POUR MODIFIER

**Mode économie d'énergie - seuil de transfert.** Configurez la prise principale pour qu'elle détecte le passage de l'équipement principal en mode veille. Configurez le délai entre la mise hors tension de l'équipement principal et celle des périphériques.

SEUIL PRINCIPAL : 25 W  
APPUYEZ SUR ▼ ▲ POUR MODIFIER

CON ONDLY : 4 S  
APPUYEZ SUR ▼ ▲ POUR MODIFIER

CON OFFDLY : 4 S  
APPUYEZ SUR ▼ ▲ POUR MODIFIER

**Avertissement batterie faible.** Définissez le moment auquel un signal sonore retentit pour indiquer que la batterie est presque épuisée.

AVERTISSEMENT DE BATTERIE  
FAIBLE : 2 MIN  
APPUYEZ SUR ▼ ▲ POUR MODIFIER

**Date de remplacement de la batterie.** Repdate (date de remplacement) indique la date à laquelle la batterie a été remplacée pour la dernière fois. Modifiez cette date lorsqu'une nouvelle batterie est installée.

DATE DE REMPLACEMENT :  
3/04/12  
APPUYEZ SUR ▼ ▲ POUR MODIFIER

**Test automatique.** Sélectionnez Oui pour lancer un test automatique de l'appareil. En cas d'échec du test, contactez l'assistance technique SEIT.

EFFECTUER UN TEST  
AUTOMATIQUE : NON  
APPUYEZ SUR ▼ ▲ POUR MODIFIER

**Étalonnage de l'autonomie.** Procédez à un test de l'étalonnage de l'autonomie pour décharger complètement les batteries, puis rechargez-les. L'appareil peut ainsi prédire avec précision l'autonomie. Ce test doit être réalisé au bout d'un an d'utilisation de l'appareil, puis une fois par an.

ÉTALONNAGE DE  
L'AUTONOMIE : NON  
APPUYEZ SUR ▼ ▲ POUR MODIFIER

**Test des voyants et alarmes sonores.** Procédez à ce test pour contrôler le fonctionnement des voyants et alarmes sonores de l'appareil.

TEST DES VOYANTS ET  
ALARMES : NON  
APPUYEZ SUR ▼ ▲ POUR MODIFIER

**Ecran de veille.** Activez ou désactivez l'écran de veille.

ÉCRAN DE VEILLE : ACTIVÉ  
APPUYEZ SUR ▼ ▲ POUR MODIFIER

**Rétablissement des paramètres par défaut.** Rétablissez tous les paramètres par défaut.

RÉINITIALISATION->DÉFAUT : NON  
APPUYEZ SUR ▼ ▲ POUR MODIFIER

# Dépannage

Problème	Cause probable	Mesure corrective
<b>L'appareil ne s'allume pas.</b>	L'appareil n'est pas branché sur l'alimentation CA.	Assurez-vous que l'appareil est bien branché à une prise CA.
	La batterie interne n'est pas connectée.	Connectez la batterie.
<b>L'appareil ne fournit pas d'alimentation lors d'une panne de courant alternatif (CA).</b>	Assurez-vous que l'équipement principal n'est <b>pas</b> branché sur une prise PROTEGEE CONTRE LES SURTENSIONS.	Débranchez l'équipement de la prise PROTEGEE CONTRE LES SURTENSIONS et rebranchez-le à une prise de la batterie de secours.
<b>L'appareil fonctionne sur batterie tout en étant connecté à l'alimentation CA.</b>	La prise est partiellement retirée de l'entrée murale, la prise murale ne reçoit plus de courant alternatif (CA), ou le disjoncteur a été déclenché.	Assurez-vous que la prise de l'appareil est bien insérée dans la prise murale. Assurez-vous que la prise murale est sous tension courant alternatif (CA) en vérifiant avec un autre appareil.
	L'appareil procède à un test automatique.	Aucune action requise.
	La tension d'alimentation courant alternatif (CA) est hors de portée, la fréquence est hors de portée, ou la forme d'onde est déformée.	Réglez la valeur seuil de la tension et la plage de sensibilité.
	Le disjoncteur s'est déclenché.	Déconnectez tout l'équipement non indispensable de l'appareil. Réarmez le disjoncteur. Reconnectez les équipements un à un. Si le disjoncteur se déclenche à nouveau, déconnectez l'équipement qui en est responsable.
<b>L'appareil ne fournit pas l'alimentation de secours pendant la durée escomptée.</b>	Il se peut que les prises de la batterie de secours ne soient pas entièrement chargées ou qu'elles le soient incorrectement.	Débranchez tout équipement non indispensable des prises de la batterie de secours et branchez-le aux prises PROTEGEES CONTRE LES SURTENSIONS.
	La batterie a récemment été déchargée en raison d'une coupure d'alimentation et n'a pas été complètement rechargée.	Chargez la batterie pendant 16 heures.
	La batterie arrive en fin de vie utile.	Remplacez la batterie.
<b>Certaines prises ne sont pas alimentées.</b>	L'alimentation des prises contrôlées a été volontairement désactivée.	Vérifiez que les périphériques corrects sont reliés aux prises contrôlées. Si vous ne souhaitez pas utiliser cette fonction, désactivez la prise principale et les prises contrôlées à économie d'énergie.
<b>Les prises contrôlées ne sont pas alimentées bien que l'équipement principal ne soit pas en mode veille.</b>	La valeur seuil de la prise principale est peut-être mal configurée.	Réglez la valeur à laquelle la prise principale commande la désactivation des prises contrôlées.

# Caractéristiques

Entrée/Sortie	J25B	J35B
Tension nominale	120 V	120 V
Courant d'entrée/sortie	12 A	12 A
Fréquence	47 - 63 Hz	47 - 63 Hz
Nombre de prises électriques	8 (6 sur la batterie de secours, 2 protégées contre les surtensions)	8 (6 sur la batterie de secours, 2 protégées contre les surtensions)
Dimensions (H x l x L)	9,76 cm x 43,18 cm x 40,64 cm (3,84 in. x 17 in. x 16 in.)	9,76 cm x 43,18 cm x 40,64 cm (3,84 in. x 17 in. x 16 in.)
Cordon d'alimentation	À angle droit, prise NEMA 5-15, 2,43 m (8 ft)	À angle droit, prise NEMA 5-15, 2,43 m (8 ft)
<b>Caractéristiques environnementales</b>		
Température de fonctionnement	0 – 40 °C (32 – 104 °F)	0 – 40 °C (32 – 104 °F)
Température de stockage	-15 – 45 °C (5 – 113 °F)	-15 – 45 °C (5 – 113 °F)
Poids net	25,74 lb (11,7 kg)	30,80 lb (14 kg)
Poids brut	30,14 lb (13,7 kg)	35,20 lb (16 kg)
Humidité relative	0 à 95 %, sans condensation	0 à 95 %, sans condensation

## Remplacement de la batterie



Veillez envoyer la batterie usagée à un centre de recyclage.

Remplacez la batterie usagée par une batterie approuvée par APC by Schneider Electric. Vous pouvez commander une batterie de remplacement à partir du site Web d'APC by Schneider Electric, au [www.apc.com](http://www.apc.com). La pièce de remplacement de batterie pour le J25B est **APCRBC130** alors que le J35B utilise **APCRBC131**.

## Garantie

La garantie standard est de trois (3) ans à compter de la date d'achat. La politique standard de Schneider Electric IT (SEIT) consiste à remplacer l'appareil d'origine par un appareil remis à neuf en usine. Les clients souhaitant récupérer l'appareil d'origine réparé dans le cadre d'un programme d'échange défini doivent en faire la demande dès qu'ils contactent un représentant de l'assistance technique de SEIT. SEIT expédiera l'appareil de remplacement sur réception de l'appareil défectueux, ou immédiatement sur réception d'un numéro de carte de crédit valide. Les frais d'envoi à SEIT sont à la charge du client. SEIT se charge des frais de transport terrestre associés à l'envoi de l'unité de rechange au client.



# Soutien technique international APC by Schneider Electric IT



\*<sup>1</sup>Cet onduleur UPS a été certifié conforme aux règlements du Système de Chargement de Batterie de la la Californie. Pour plus de détails, consultez le site [www.apc.com/site/recycle/index.cfm/energy-efficiency/cec-batterycharger/](http://www.apc.com/site/recycle/index.cfm/energy-efficiency/cec-batterycharger/).

\*<sup>1</sup> : Ne s'applique pas aux modèles J35B