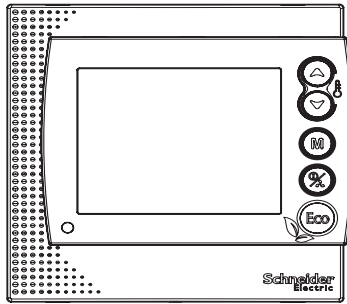


TC350 Series Digital Fan Coil Thermostat



Product Description

The TC350 Series fan coil thermostats are optimised for office building, hotel and residential applications. The TC350 Series can be used for 2-pipe or 4-pipe applications. Their simple design makes them suitable for any contemporary building. They are both easy to operate and install.

The TC350 features microprocessor-based control and a large backlit LCD screen. The LCD display modes include operation status (cooling, heating, and ventilation), fan speed, room temperature, and set-point.

Available Products

Part Number	Description	Application	Scheduling	Real Time
TC353-3A2L	FCU Thermostat for 2-position on/off actuator (2-wire)	2-pipe	Yes	Yes
TC353-3A4L	FCU Thermostat for 2-position on/off actuator (2-wire)	4-pipe*	Yes	Yes
TC353-3A2DLS	Deluxe FCU Thermostat for 2-position on/off actuator (2-wire)	2-pipe	Yes	Yes
TC353-3A4DLS	Deluxe FCU Thermostat for 2-position on/off actuator (2-wire)	4-pipe*	Yes	Yes
IR-300	TC3xx Infrared Remote Control**			
RS-03	10 kΩ NTC Remote Sensor - 3 m (10 pcs)**			

* Can be changed from 4-pipe system with 2-wire motorised valve, to 2-pipe system with 3-wire motorised valve.

** For use with deluxe models only.

Specifications

Sensing element	10 kΩ NTC (3950)
Accuracy	±1 °C
Set-point range	5 ... 35 °C
Display range	0 ... 50 °C (shown in 0.5 °C increments)
Operating temperature	0 ... 45 °C
Operating humidity	5 ... 95 %RH (non-condensing)
Power requirement	< 1 W
Power supply	85 ... 260 Vac, 50/60 Hz
Terminals	Can be connected to 2 x 1.5 mm ² or 1 x 2.5 mm ² conductors
Switch current rating	5 A resistive, 3 A inductive @ 230 Vac
Switch power rating	Max. inrush 1385 VA / 150 W
Protection class	IP30
Housing	Flame-retardant PC
Dimensions	88.5 x 86 x 16 mm (3.48" x 3.38" x 0.63")
Hole pitch	60 mm (standard)

Features

- Modern appearance
- Large, blue backlit, LCD screen
- Eco button for energy saving
- Real-time display
- Weekly scheduling application
- Button lockout function controls unauthorised operation
- Non-volatile memory (EEPROM) retains user settings during power loss
- Low temperature protection
- Standard 86 x 86 mm box for installation
- Alert function facilitates temperature sensor maintenance
- Deluxe models include:
 - Occupancy/card key input
 - Optional remote temperature sensor

Precautions

DANGER

HAZARD OF ELECTRIC SHOCK, EXPLOSION, OR ARC FLASH

- Follow safe electrical work practices. See NFPA 70E in the USA, CSA Z462 in Canada, or applicable local codes.
- Read and understand the instructions before installing the product. Follow the instructions during installation.
- Installation, wiring, testing or service must be performed only by qualified persons in accordance with all applicable codes and regulations.
- Do not use the product for life or safety applications.
- Do not install the product in hazardous or classified locations.
- Do not exceed the product's ratings or maximum limits.
- The product may use multiple voltage/power sources.
- Turn off ALL power supplying equipment before working on or inside the equipment.
- Use a properly rated voltage sensing device to confirm that all power is off.
- Do NOT depend on the product for voltage indication.
- Products rated only for basic insulation must be installed on insulated conductors.
- Current transformer secondaries (current mode) must be shorted or connected to a burden at all times.
- Remove all wire scraps and tools, replace all doors, covers and protective devices before powering the equipment.

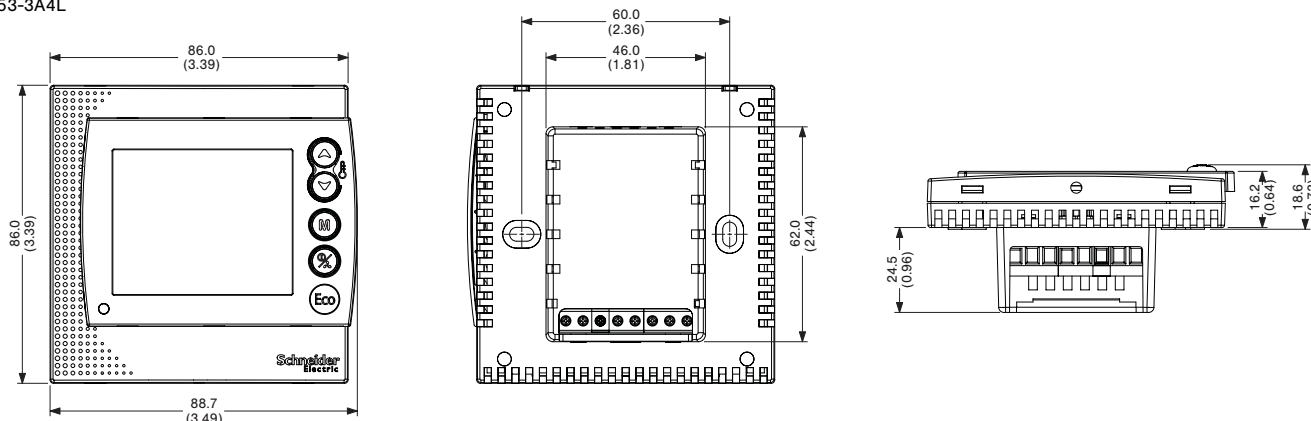
Failure to follow these instructions will result in death or serious injury.

A qualified person is one who has skills and knowledge related to the construction and operation of this electrical equipment and installations, and has received safety training to recognize and avoid the hazards involved. NEC Article 100

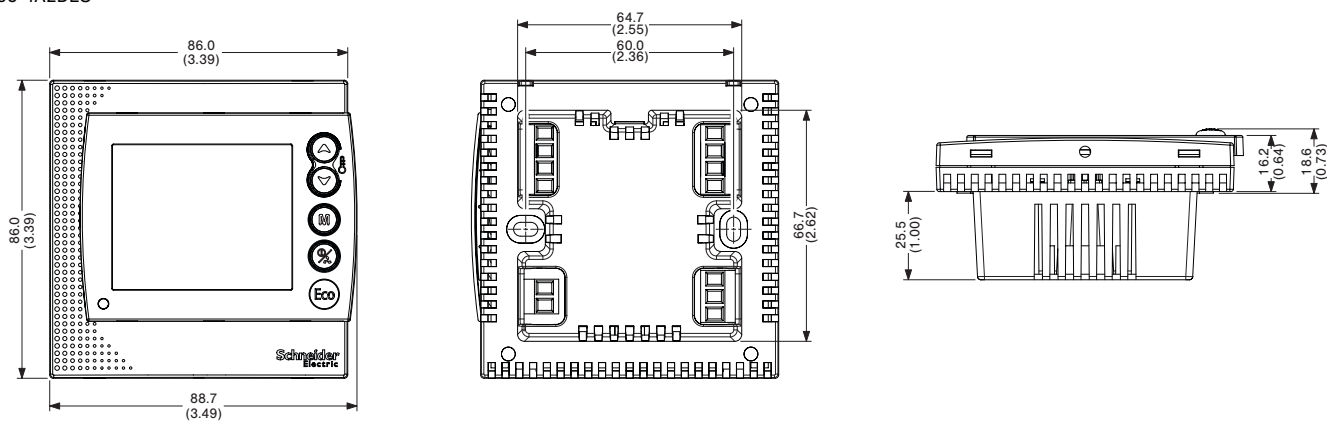
If this product is used in a manner not specified by the manufacturer, the protection provided by the product may be impaired. No responsibility is assumed by Schneider Electric for any consequences arising out of the use of this material.

Dimensions mm (in.)

TC353-3A2L
TC353-3A4L



TC353-3A2DLS
TC353-4A2DLS



Functions

Set-point Adjustment – The set-point buttons allows users to adjust the set-point (in 0.5 °C increments) for the space.

Fan Speed – Users can select fan speed (High, Medium, Low and Automatic) by pressing the Power/Fan button.

Mode Control – Users can switch operating modes (Heating, Cooling, or Ventilation) by pressing the Mode button.

Eco Saving Mode – Pressing the Eco button starts the energy savings mode. In Cooling mode, the set-point is automatically adjusted to 26 °C and the fan speed is set to Low. In Heating mode, the set-point is automatically adjusted to 18 °C and the fan speed is set to Low. The user can exit the energy saving function by pressing the Eco button.

Weekly Scheduling Function – Allows the user to configure a weekly schedule with up to four phase changes.

Button Lockout Function – Allows the buttons to be deactivated to prevent thermostat operation by others.

Low Temperature Protection – If the room temperature drops below 5 °C, the thermostat will start automatically and the fan speed will be set to High. Once the temperature reaches 7 °C, the thermostat will switch off the output.

Alert – In the event of an operating exception, the thermostat will attempt to command the valve to close and place the device in an

inoperative state. The display will indicate the current status with one of four diagnostic messages.

Installation Guidelines

- Install the thermostat about 1.5m (59”) above the floor
- Make sure the device is powered off prior to installation/service
- Do not install in locations that can be affected by radiant heat or in places with high levels of sunlight
- Do not install thermostats behind doors or in corners
- Protect from water/debris to avoid damaging the thermostat

Operation Instructions

- **Power on/off:** Press and hold button for two seconds to turn the power on. Press and hold button again for two seconds will turn off the power as well as the fan coil and motorised valve.
- **Temperature setting:** With the power on, press to decrease the temperature setting and to increase in steps of 0.5 °C.
- **Mode selection:** With the power on, press M button to switch the operation mode. The LCD indicates cooling with , heating with , and ventilation with .
- **Air speed selection:** With the power on, press button to select fan speed: (high), (medium), (low) or (automatic) shift.
- In automatic mode, the air speed shift changes automatically: With a 1 °C, 2 °C and 3 °C difference between room temperature and the temperature setting, the low, medium and high air speed shift will be automatically selected respectively.

- Motorised valve control (2-pipe models): In cooling (heating) mode, the motorised valve will be switched on when the room temperature is higher than (lower than) the temperature setting by 1 °C and switched off when the room temperature reaches the temperature setting.
- Motorised valve control (4-pipe models): In cooling mode, the cold water valve will be opened when the room temperature is 1 °C higher than the temperature setting or closed when the room temperature drops to the setting, and the hot water valve will remain closed. In heating mode, the hot water valve will be opened when the room temperature is 1 °C lower than the temperature setting or closed when the room temperature rises to the setting, and the cold water valve will remain closed.

Energy Saving Mode

Press Eco button to start the energy saving mode. If the thermostat runs in cooling mode the temperature will be set to 26 °C automatically and the fan will operate at low speed. If the thermostat runs in heating mode the temperature will be set to 18 °C automatically and the fan will operate at low speed. To exit the energy saving mode, press Eco again or press ▲ or ▼.

Energy-saving mode of occupancy sensor: This can be switched to energy-saving mode by room card and occupancy sensor. For example, after room key is taken out, if thermostat is in cooling mode, the temperature will be automatically set at 28 °C and fan is on low speed; if thermostat is in heating mode, 16 °C will be set automatically with fan operating at low speed; the mode that guest has previously chosen will be switched back after the room key is plugged in.

Program Setting Function

Program setting function: During power on, press and hold M and ▲ buttons for 3 seconds to enter programmable setting display screen.

Press M button again to enter 7 days, 4 phases and temperature set-point parameters. Press ▲ and ▼ to adjust this parameter.

Factory default parameter:

- 6:00 to 8:00 temperature set-point 23 °C
- 8:00 to 18:00 temperature set-point 23 °C
- 18:00 to 23:00 temperature set-point 23 °C
- 23:00 to 6:00 temperature set-point 23 °C

Timing Setting Function

During power-on, press and hold M button for 3 seconds to enter the display screen. Press M button again to select hour, minute, week, working day timing on, working day timing off parameters. Press ▲ and ▼ to adjust this parameter.

Factory default parameter: working day (Monday to Friday) timing on is 8:00, timing off is 18:00.

Button Lockout Function

Pressing and holding ▲ and ▼ at the same time for five seconds will activate the keypad lockup function to prevent thermostat operation by others. Once this function is activated, press and hold ▲ and ▼ at the same time for five seconds to unlock the buttons.

Low Temperature Protection Function

If the thermostat is switched off and the room temperature drops below 5 °C, the thermostat will start automatically for heating and display the ▲ symbol. The fan will run at high speed automatically and the motorised valve will be opened (hot water valve will be opened for 4-pipe models). When the room temperature rises to 7 °C, the low temperature protection function is canceled and the thermostat will stop automatically, returning to its previously switched off state.

Alert Function

In the event of an operating exception, the thermostat will attempt to command the valve to close, place the device in an inoperative state and display ✖ and E1 or E2.

E1: Sensor short-circuit alert

E2: Sensor open-circuit alert

HI will be displayed if the temperature is higher than 50 °C.

LO will be displayed if the temperature is lower than 0 °C.

Parameter Settings

During power off, press and hold M button for 5 seconds to enter the display screen. Press M button again to select parameters as shown in the table below. Press ▲ and ▼ to adjust this parameter.

Notice: This parameter table must be set by specialised installation personnel authorised by Schneider Electric. Any inconvenience or damage caused by unauthorised operation will not be covered by warranty.

No.	Parameter	Factory Default	Function Description
01	Low temperature protection	OF	OF: Low temperature protection deactivated On: Low temperature protection activated
02	Fan operation status after temperature setting is reached	01	00: Fan off 01: Fan on
03	Selection between 2-pipe and 4-pipe systems	00* 01**	00: 2-pipe system 01: 4-pipe system
06	12/24-hour timing settings	24	24: 24-hour 12: 12-hour
07	Mode selection	00	00: FCU cooling or heating 01: FCU cooling only 02: FCU heating only 03: Thermal valve heating
08	Working day timing + Programmable	03	00: Working day timing + Programmable deactivated 01: Programmable activated 02: Working day timing activated 03: Working day timing + Programmable activated

* TC353-3A2L / TC353-3A2DLS

** TC353-3A4L / TC353-3A4DLS

Notes:

For 2-pipe thermostats, the 03 parameter default is for 2 pipe system only.

For 4-pipe thermostats, the 03 parameter default can be changed from 4-pipe system with 2-wire motorised valve to 2-pipe system with 3-wire motorised valve.

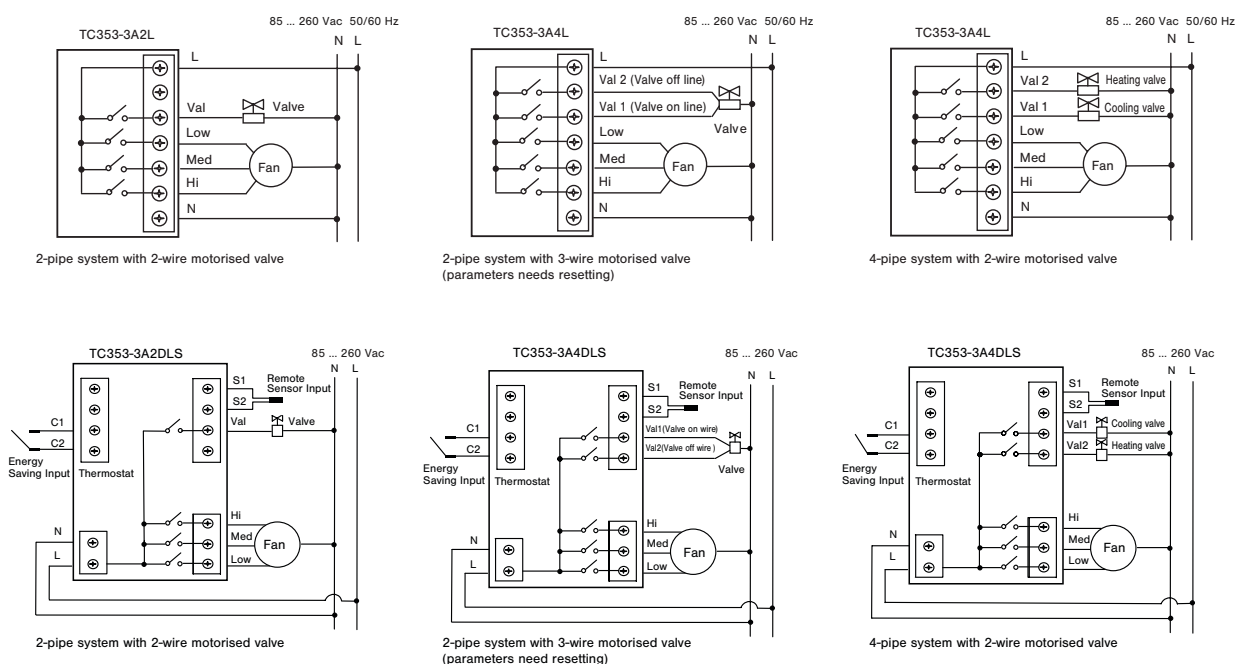
The 06 parameter is for deluxe models only (TC353-3A2DLS and TC353-3A4DLS).

The 07 parameter is for 2-pipe models only (TC353-3A2L and TC353-3A2DLS).

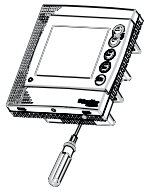
Wiring

Provide an approved disconnecting means and overcurrent protection to supply conductors. The disconnecting device(s) shall meet the relevant requirements of IEC 60947-1 and IEC 60947-3 and shall be suitable for the application. Locate and mark per local requirements.

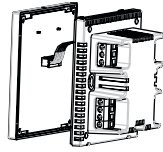
Standalone



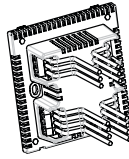
Mounting



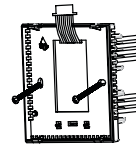
1. Remove the main control board and insert a 3.5 mm wide flathead screwdriver along the bevel into the slot for 4 mm. Pry it upwards with a slight force to release the hook.



2. Completely remove the wires from the unit.



3. Connect the wires in accordance with the connection diagram shown above.



4. Use the two screws supplied in the package box to secure the wired thermostat base plate to the wall.



5. Put the two upper hooks in place at 30 degrees. Then, press the two lower corners of the thermostat with a slight force to lock the upper cover. The installation is now finished.

Notice: Please connect the wires in strict accordance with the connection diagram. Avoid the ingress of foreign matter such as water or debris into the thermostat, otherwise it can be damaged.