

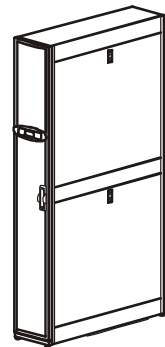


Installation

Modular Power Distribution Unit

QMLE15621, QMLE16147, QMLE18831, QMLE47558

208/120 V with Input and Subfeed Breaker



IMPORTANT SAFETY INSTRUCTIONS! SAVE THESE INSTRUCTIONS!

This document contains important instructions that should be followed during installation and maintenance of the Modular Power Distribution Unit (PDU).

⚠️ ⚠️ DANGER

HAZARD OF ELECTRIC SHOCK, EXPLOSION, OR ARC FLASH

- Only certified electricians are authorized to connect power to the PDU.
- The PDU must be installed in accordance with the National Electrical Code or the Canadian Electrical Code and all applicable local codes.
- Perform appropriate Lock Out/Tag Out procedures during equipment installation.
- Remove incoming Main power upstream from the PDU before performing any work.
- Service access areas are locked with a Red Key. The Red Keys must remain under the control of qualified service personnel.
- Wear appropriate protective equipment when performing maintenance on this PDU.
- Set all Power Distribution Modules (PDMs) to OFF to prevent arcing when removing a module. Do not remove modules while they are under load.

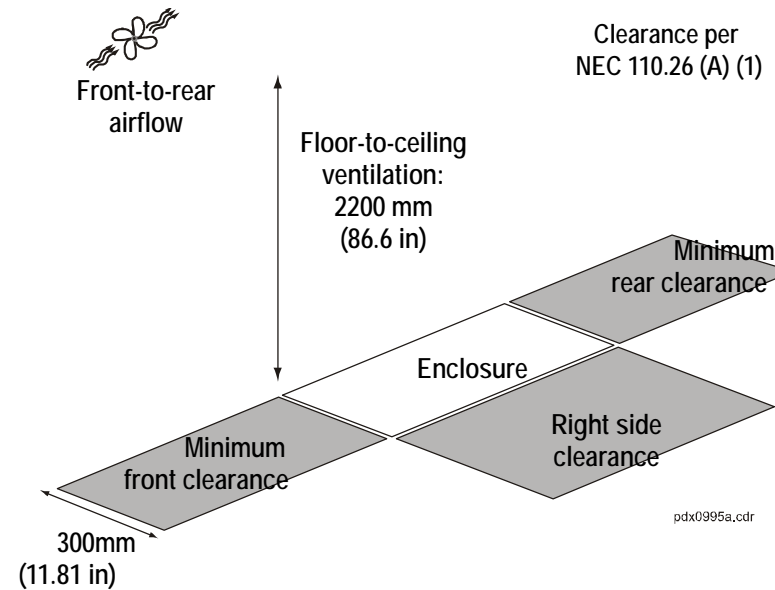
Failure to follow these instructions will result in death or serious injury.

⚠️ WARNING

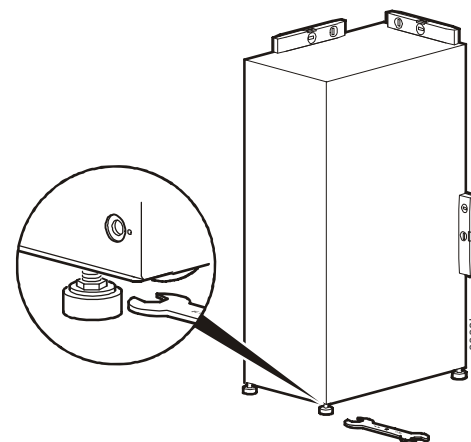
TIP HAZARD

This equipment is easily tipped. Use extreme caution when unpacking and moving.
Failure to follow these instructions can result in death, serious injury, or equipment damage.

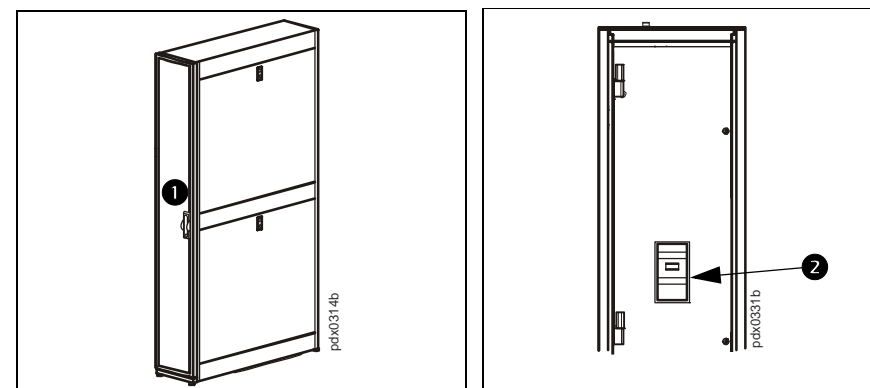
Space considerations



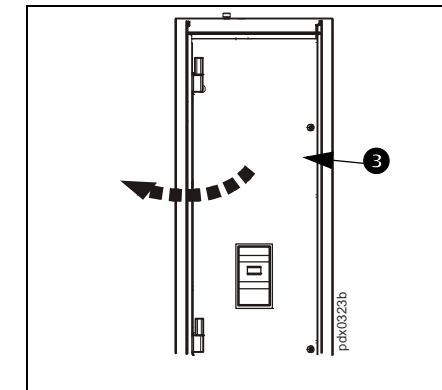
Level the PDU



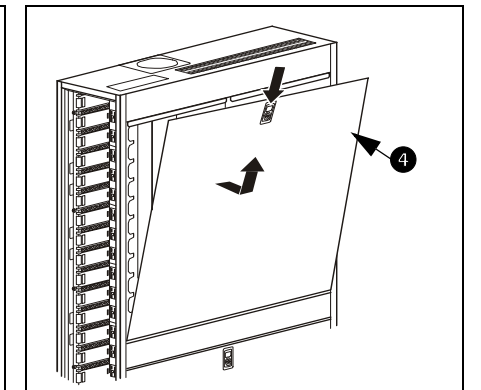
Install the Power Cables



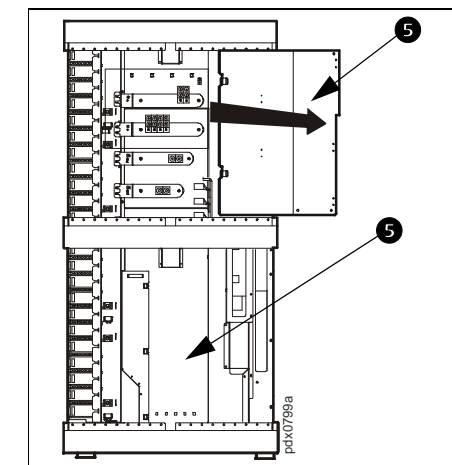
- 1 Open the rear door of the PDU.
- 2 Make sure the input breaker is in the OFF (open) position.



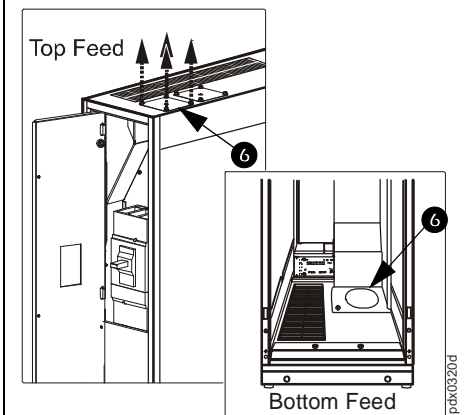
- 3 Open the interior door to expose the input breaker.



- 4 Unlock the side panel using the red key (provided). Remove the side panel to expose the mains shield.

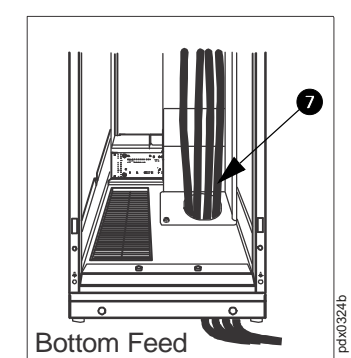
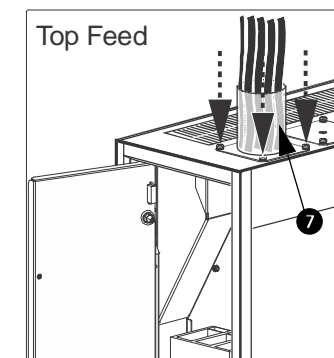


- 5 Loosen the screws from the mains shield and remove the shield to gain access to the compression terminals. Only remove the bottom shield if the bottom entry is used.

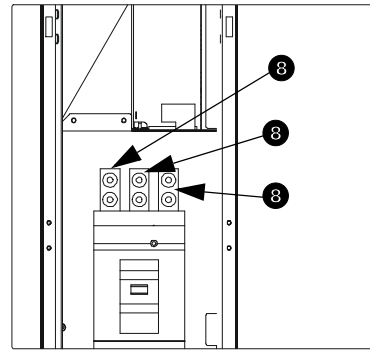


- 6 Loosen four screws from the rear top plate and remove the plate. Remove the bottom plate for bottom feed installations. Cut or punch a hole in the plate to accommodate a conduit for power cables.

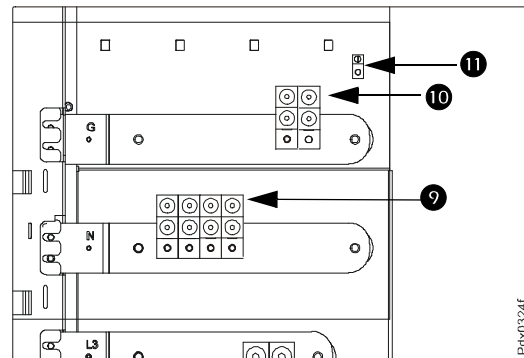
Note: Both top rear plates can be employed to accommodate power cables. Never drill or cut above the PDU.



- 7 Install the conduit and pull the conductors into the PDU from the bottom or the top.



8 Connect the phase (L1, L2, L3) conductors. Torque: 31.1Nm (275 lb-in).

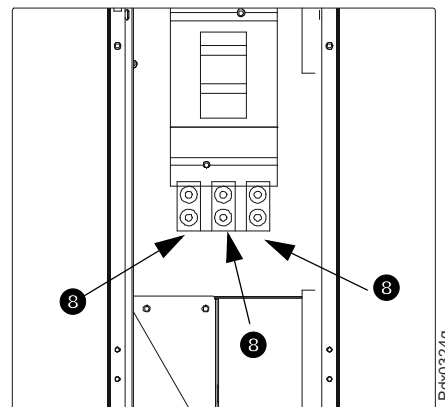


- 9 Connect the neutral (N) conductor. Torque: 31.1 Nm (275 lb-in)
- 10 Connect the isolated ground conductor. Torque: 31.1 Nm (275 lb-in).
- 11 Connect the chassis ground (G) conductor. Torque: 5.6 Nm (50 lb-in).
- 12 Replace the mains shield and side panel.
- 13 Close the interior door and then the rear door of the PDU.

Subfeed Circuit Breaker

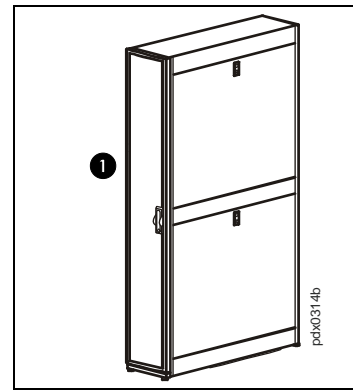
The subfeed conductors are installed in the same manner as the Power Cables as shown on page 1. Follow steps 1 through 7 on page 1.

8 Connect the phase (L1, L2, L3) conductors. Torque 31.1Nm (275 lb-in).

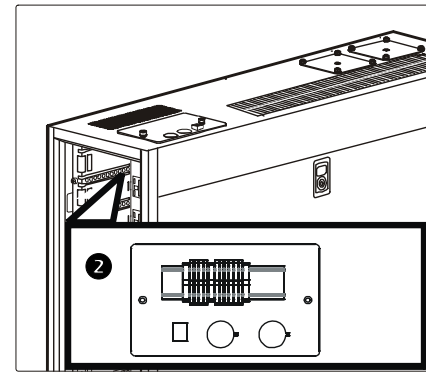


Install the User Contacts

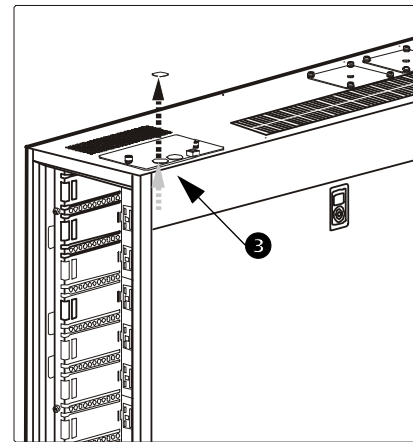
Note: If used, connect shunt trip and/or aux contact wiring to the auxiliary connection terminal block.



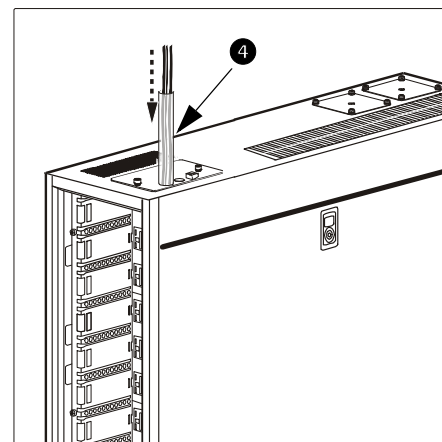
1 Open the front door of the PDU.



2 Location of the terminal block: under the top plate above the PDMs.



3 Punch out the 3/4inch knockout in the top plate of the PDU.

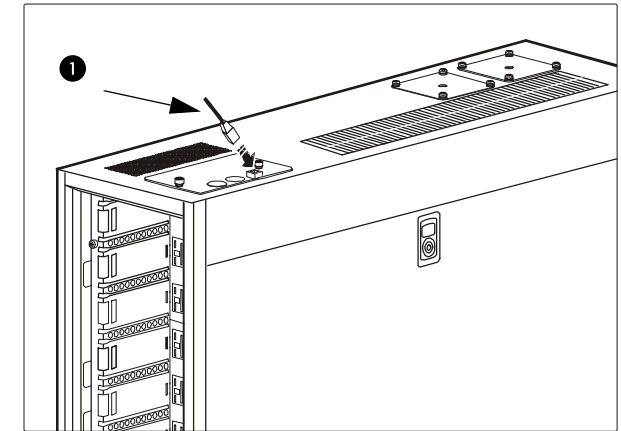


4 Attach conduit with the contact wires from external devices to the knockout.

Factory Terminal Block Wiring								Auxiliary Contact Rating:	
C1	C2	C1S	C2S	11	12	14	11S	12S	14S
120 VAC Top Shunt Trip	120 VAC Bottom*			N.C.	N.O. Top Aux		N.C.	N.O. Bottom* Aux	
				Breakers in the OFF position				(*Bottom Breaker if provided)	
Customer Field Wiring, If Needed									

5 Make connections to appropriately labelled terminals on the auxiliary connection terminal block.

Install the Communication Cable



- 1 Connect one end of the CAT-5 cable to the RJ-45 port on top of the PDU.
- 2 Connect the other end of the CAT-5 cable to StruxureWare or a local area network port.

Install Power Distribution Module

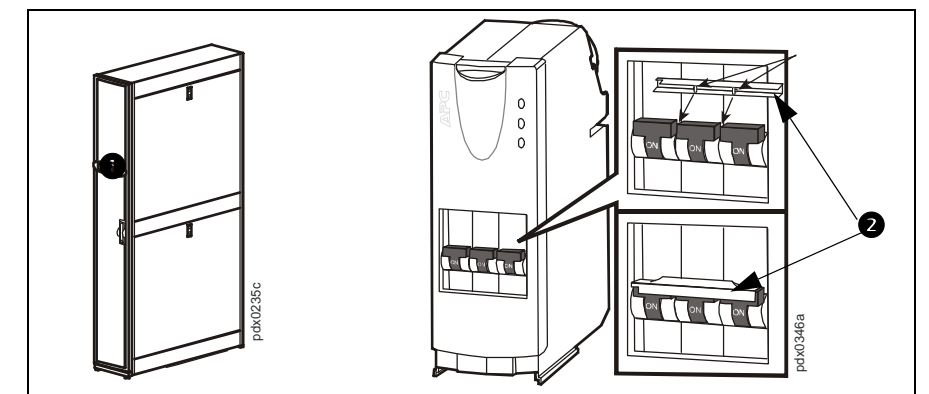
⚠ ⚠ DANGER

HAZARD OF ELECTRIC SHOCK, EXPLOSION, OR ARC FLASH

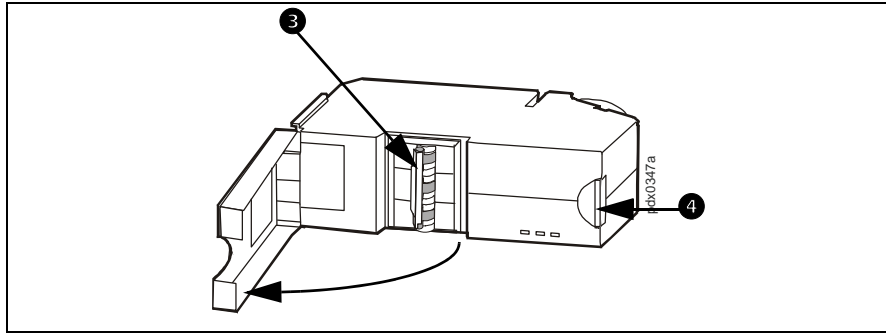
To prevent arcing when removing a Power Distribution Module (PDM) from the panel, set all circuit breakers on that module to OFF (open).

Failure to follow these instructions will result in death or serious injury.

Note: Install only APC-supplied 208/120 V PDMs in the panel of this PDU. Only APC PDMs can be installed in the panel even when the PDU is operational.

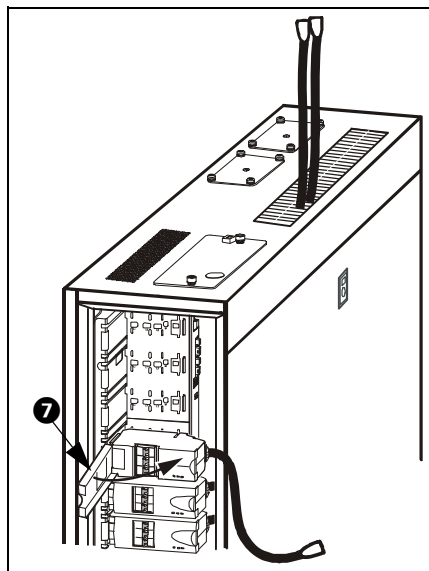
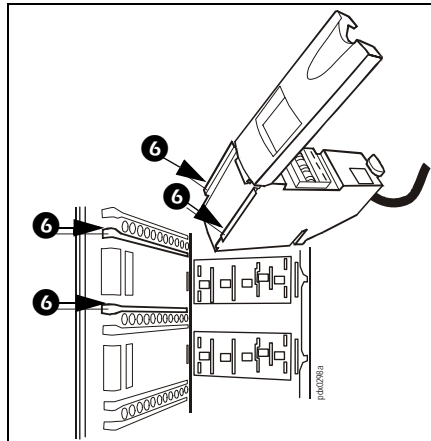


- 1 Open the front door of the PDU.
- 2 If your PDM does not include a handle tie, you will need to install one.

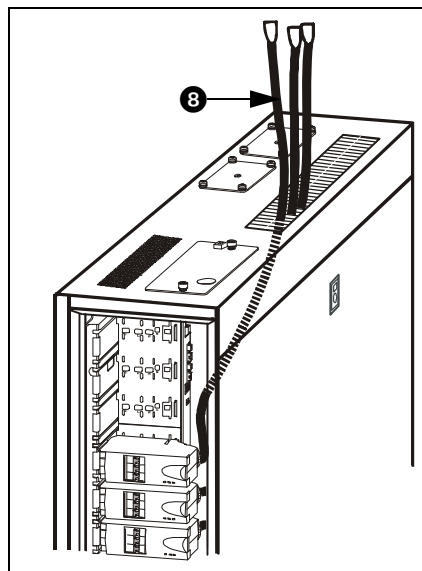


- 3 Make sure all breakers on the PDM being installed are in the **OFF** (open) position.
- 4 Press the red button to release the latch then, pull open the latch.

- 5 Install PDMs starting from the bottom of the panel to avoid cable congestion. Select the next available 3-pole position for installation.
- 6 Slide the PDM into the panel using the top and bottom guide tracks for that position. Make sure you slide the PDM all the way into its position.

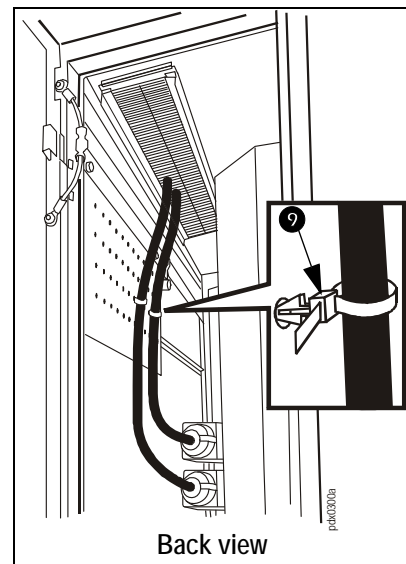


- 7 Close the latch. This will tighten electrical contacts in the PDM against the busbar.

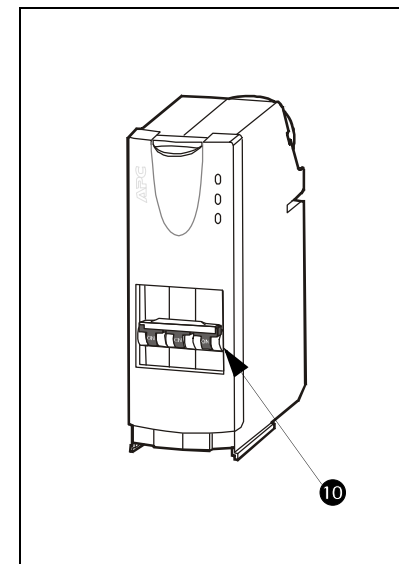


- 8 Feed cable from the PDM through the brush-filled slot in the roof of the PDU.

Note: When installing PDMs near the top of the panel, perform step 8 before steps 6 and 7 to avoid cable congestion between the panel and the slot.



- 9 Use tie wraps to secure loose cables to the enclosure. Connect the PDM cable to the appropriate rack-mount PDU or other equipment.



- 10 Set all breakers on the newly installed PDM to the ON (closed) position.

Specifications

AC Input and Subfeed

Input Circuit Breaker	400A
Nominal voltage	208/120 V, 3W + N + G
Frequency	60 Hz
Input and subfeed circuit breakers	320 A
Maximum continuous current	320 A

AC Output

Nominal voltage	208/120 V, 3W + N + G 120 V, 1W + N + G
Maximum continuous current	320 A (PDMs plus subfeed)
Full load rating	115 kVA @ 208 V 3 PH
Power distribution module (PDM)	208/120 V, 3-pole modules
Power distribution poles available	72
Maximum number of PDMs	24
Output cable connections	TC-ER (Tray cable - exposed runs)
Output cable lengths	Various, based on using APC PDMs

320 A, 90°C (194°F) Conductors

Wiring System	Copper
3 CCC, 30°C (86°F) Ambient	Ø&N = (2) 250 kcmil AWG G = (2) 3 AWG
4 CCC, 30°C (86°F) Ambient	Ø&N = (2) 250 kcmil AWG G = (2) 3 AWG
Isolated Ground	(2) 3 AWG

CCC = Current-Carrying Conductors
 AWG = American Wire Gauge
 kcmils = MCM = Thousands of Circular Mils
 Ø = Phase conductor
 N = Neutral conductor
 G = Ground (Equipment Grounding) conductor
 (2) = Two conductors per terminal

Note: Input and subfeed circuit breakers are 100% rated. In accordance with the National Electrical Code, input wiring shall be rated 90°C (194°F) minimum and shall be sized for ampacity in accordance with the 75°C (167°F) columns of conductor ampacity tables.

Environment and Compliance

Operating Environment Protected from water and conductive contaminants

Temperature Operating: 0 to 40°C (32 to 104°F)
 Storage: 0 to 45°C (32 to 113°F)

Humidity Operating: 0 to 95%, non-condensing
 Storage: 0 to 95%, non-condensing

Elevation 10 000 m (3,000 ft)

Certification Listed and cUL by Underwriters Laboratories Inc.

Note: Conductor sizing in this manual is based on an ambient temperature of 30°C (86°F). If the ambient temperature of your datacenter is greater than 30°C (86°F), larger conductors are to be used in accordance with the Correction Factors of the National Electric Code and the Canadian Electric Code. Conductor sizing in this manual is based on conductors and circuit breaker terminals rated 75°C (167°F).

Regulatory Agency Approval

This equipment has been tested and found to comply with the limits for a Class A digital device, pursuant to Part 15 of the FCC Rules. These limits are designed to provide reasonable protection against harmful interference when the equipment is operated in a commercial environment. This equipment generates, uses, and can radiate radio frequency energy and, if not installed and used in accordance with the Installation Guide, may cause harmful interference to radio communications. Operation of this equipment in a residential area is likely to cause harmful interference, in which case the user will be required to correct the interference at his own expense.

This Class A digital apparatus complies with Canadian ICES-003.

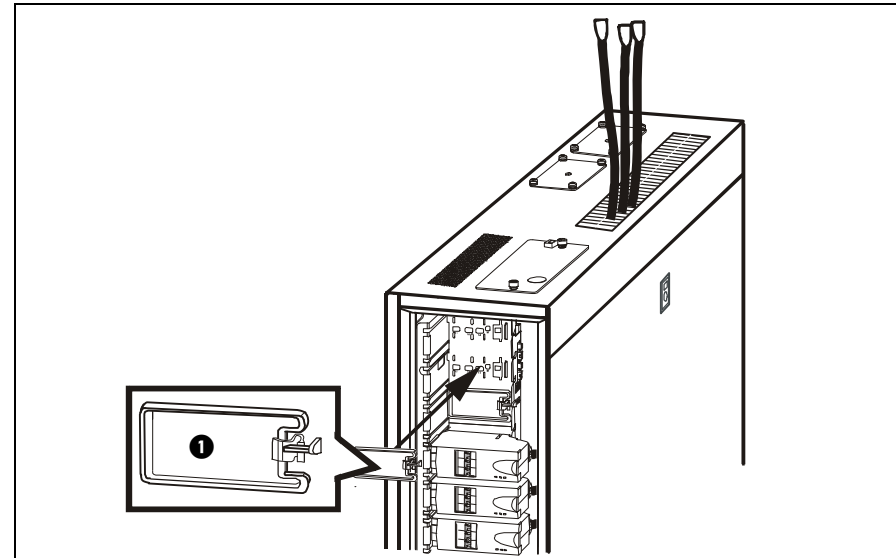
Cet appareil numérique de la classe A est conforme à la norme NMB-003 du Canada.

This is a Class A Product. In a domestic environment this product may cause interference, in which case the user may be required to take adequate measures.

Appendix

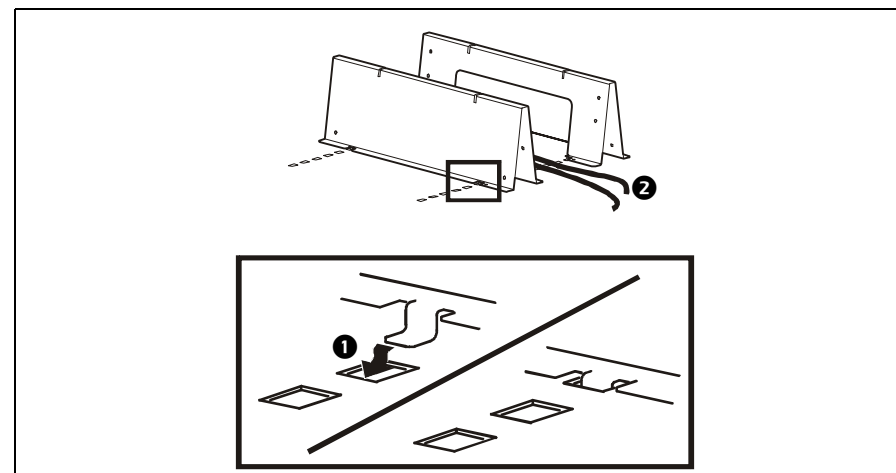
Install filler plates

Install APC filler plates (part number 870-14628) to properly cover any 3-pole panel positions that are not occupied by a PDM.



- 1 Position the filler plate as shown in front of the open 3-pole panel position.
- 2 Insert the bottom of the filler plate into the slot on the left side of the panel position.
- 3 Push the top of the filler plate forward until its locking mechanism snaps securely into the panel.

Install shielding troughs



- 1 Snap an APC-provided trough into slots on the roof of the PDU. The tabs at the base of the trough must fit securely into the slots.
Note: Be sure to properly align the PDU trough with troughs installed on top of the enclosures located alongside the PDU.
- 2 Feed the PDM cables through the roof of the PDU and into the trough system for connection with the appropriate rack-mount PDUs.

Worldwide Customer Support

Customer support and warranty information is available at the APC Web site, www.apc.com/support.

© 2013 Schneider Electric. APC, the APC logo, and others are owned by Schneider Electric Industries S.A.S., American Power Conversion Corporation, or their affiliated companies. All other trademarks are property of their respective owners.