

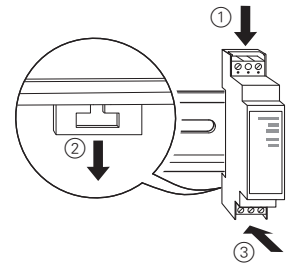
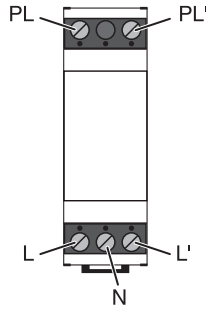
It is installed on a DIN-rail TH35 according to EN 60715.

PlusLink Expander

Operating instructions



Art.-Nr. CCTDT5130



For your safety

DANGER Risk of death from electric shock. All work on the device should only be carried out by trained and skilled electricians. Observe the country-specific regulations.

DANGER Risk of death from electric shock. The PlusLink carries an electrical current even when the device is switched off. Always disconnect the device from the supply by means of the fuse in the incoming circuit before working on it. If one or more PlusLink lines are separately fused in your installation then they are not electrically isolated from one another. In this case, you should use the PlusLink Expander.

All devices connected to one or more PlusLink lines must be connected to the same phase.

Getting to know the PlusLink Expander

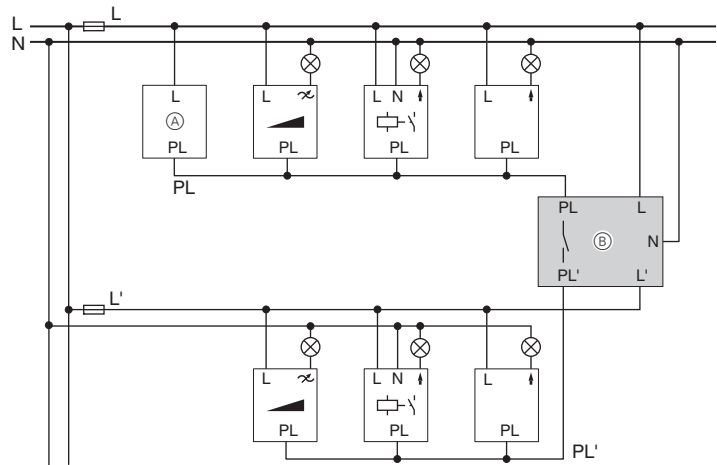
The PlusLink Expander (referred to below as PL Expander) must be integrated into one or several PL lines if these are protected with at least 2 circuit breakers.

If (e.g. in the event of error or for maintenance work) one circuit breaker is triggered off, then the PL Expander will disconnect the PL line automatically as well. This is necessary because the PL line would otherwise continue to be live via the other circuit breakers.

Connecting the PL Expander

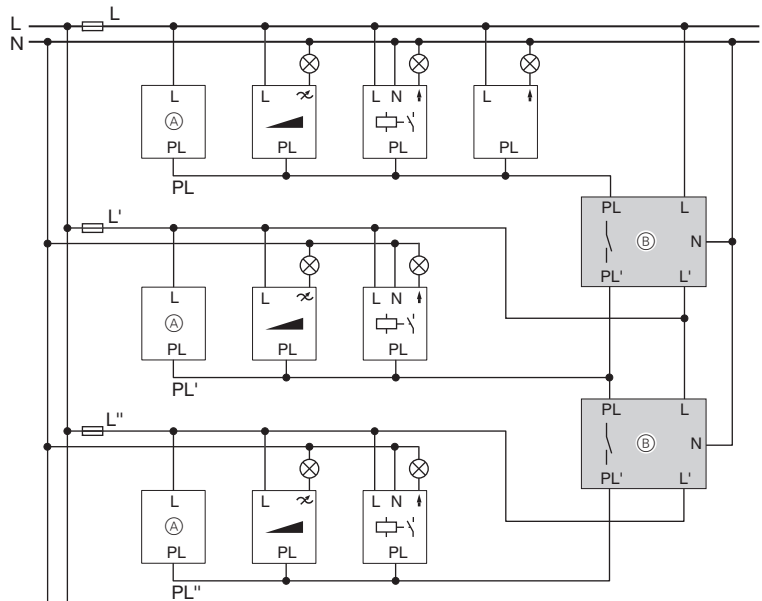
Installation example 1

- 2x circuit breaker, 1x extension unit control (A), 1x PL Expander (B).
• Two rooms, e.g. living room and hall.
• Extension unit control installed in the hall; with global control across both rooms.



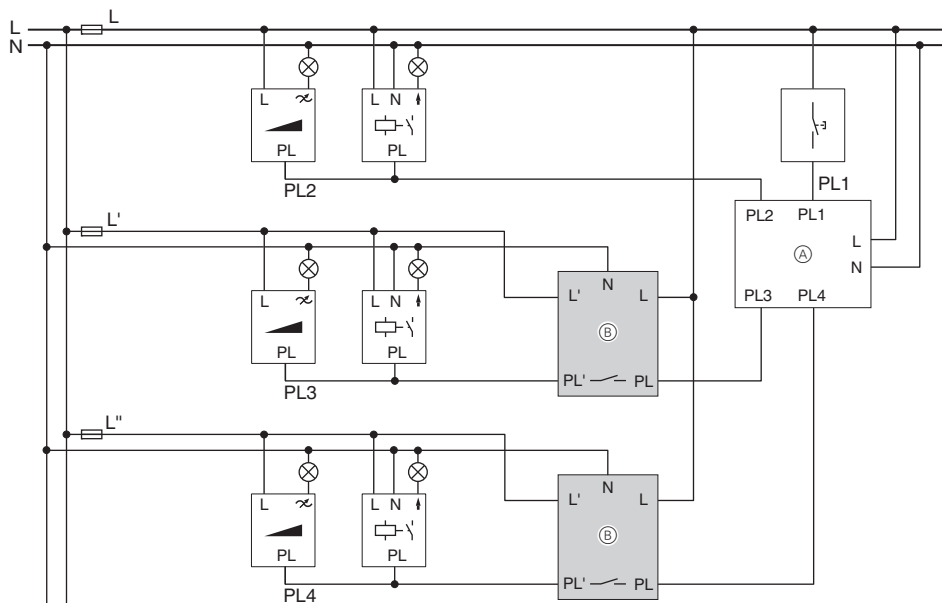
Installation example 2

- 3x circuit breaker, 3x extension unit control (A), 2x PL Expander (B).
• Three rooms, e.g. living room, hall and kitchen.
• Extension unit controls installed in each room; with global control across all rooms.



Installation example 3

- 3x circuit breaker, 1x extension unit control (A), 2x PL Expander (B).
- Three rooms, e.g. living room, hall and kitchen.
- Central control installed in the hall; with global scene control across all rooms.
- Panic button on PL line 1



Technical data

Mains voltage: AC 220/230 V ~
Connections: 5 screw terminals for max. 4 mm²
Neutral conductor: required
Type of protection: IP20
Device width: 1 module = 18 mm

Schneider Electric Industries SAS

If you have technical questions, please contact the Customer Care Center in your country.

www.schneider-electric.com

This product must be installed, connected and used in compliance with prevailing standards and/or installation regulations. As standards, specifications and designs develop from time to time, always ask for confirmation of the information given in this publication.