

Installation Instructions

Application

The AV-816 adapter kit enables mounting of Schneider Electric pneumatic, Forta and SmartX actuators onto Siemens 591 Series 3/4 and 1" two-way with 3/4" stroke. 1-1/4 to 2" three-way globe valves with 5/16" stroke may use Schneider Electric pneumatic or SmartX actuators with the appropriate Schneider Electric actuator linkage.

Consult the AV-8xx *Competitive Globe Valve Adapters Selection Guide*, F-27470, for recommended Schneider Electric actuators.

WARNING:

- The AV-816 adapter kit is to be used **only** with the Schneider Electric actuators shown in the *AV-8xx Series Competitive Globe Valve Adapters Selection Guide*, F-27470. The use of other actuators is not acceptable due to actuator stroke and valve stem force limitations.
- Depressurize the valve before removing the existing actuator and linkage and check integrity of the valve stem and plug by moving the stem up and down. If the valve stem and plug have been damaged, stem may blow out under pressure and cause injury and equipment damage.

CAUTION:

- Do not use with 1-1/4 through 2" straight through bronze bodied 250 pound class valves.
- Do not remove the packing cap from the valve.
- This kit is for 1/4-28 threaded valve stems only.

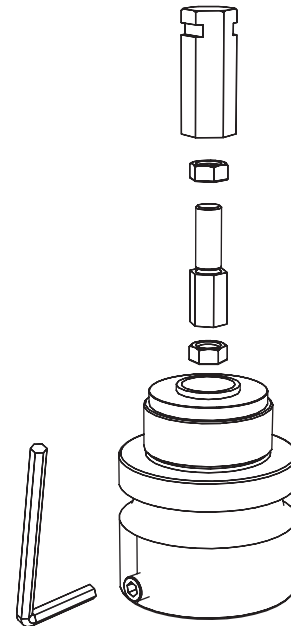
Applicable Literature

- *Electric-Electronic Products Catalog*, F-27382
- *Pneumatic Products Catalog*, F-27383
- *AV-8xx Competitive Globe Valve Adapters Selection Guide*, F-27470
- *MK-2690 GI Sheet*, F-13893
- *MK46xx GI Sheet*, F-13894
- *MK-68xx GI Sheet*, F-13895
- *Mx51-710x GI Sheet*, F-27169
- *Mxx1-72xx GI Sheet*, F-27120
- *AV-401 GI Sheet*, F-25586
- *AV-7400 GI Sheet*, F-26236
- *AV-430 GI Sheet*, F-19072
- *AV-7800 GI Sheet*, F-27432
- *AK-42309-500 GI Sheet*, F-22909
- *Schneider Electric Forta M400A, /M800A General Instructions*, DIM119E (F-27506)

Schneider Electric

1-888-444-1311
Product Support Services

www.schneider-electric.com



Tools Needed

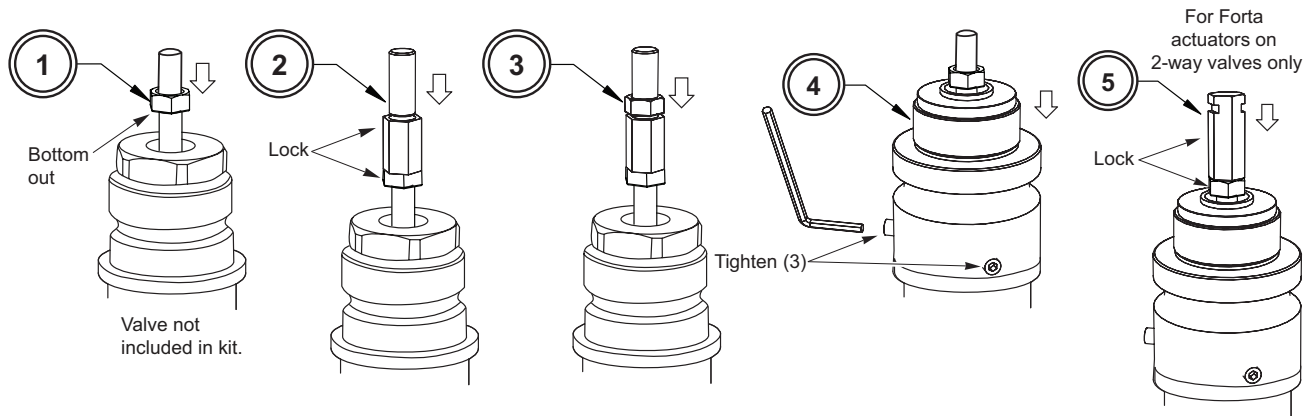
- TOOL-118 hex wrench (provided)
- 5/16" combination wrench & 7/16" combination wrench

Assembly Instructions

1. Follow the steps below.

CAUTION:

- Do not remove the packing cap from the valve.
 - Confirm valve stroke and compatibility of the selected actuator and linkage.
 - Schneider Electric actuator stroke must be equal to or greater than valve body stroke.
-



2. After the AV-816 adapter is installed, install the selected actuator and linkage (if required) according to the actuator installation instructions.

Maintenance Parts

All valve body maintenance parts must be obtained from the manufacturer, Siemens.

Actuator and linkage maintenance parts may be obtained from Schneider Electric.