

Application

The AV-815 adapter kit enables mounting of Schneider Electric pneumatic, Forta and SmartX actuators onto 1/2" through 1-1/4" Siemens VP-658 Powertop series globe valve bodies with nominal 1/2" stroke using the appropriate Schneider Electric valve linkage. The kit includes a stem adapter for Schneider Electric Forta actuators.

Consult the *AV-8xx Series Competitive Globe Valve Adapter Selection Guide*, F-27470, for compatible Schneider Electric actuators.

WARNING:

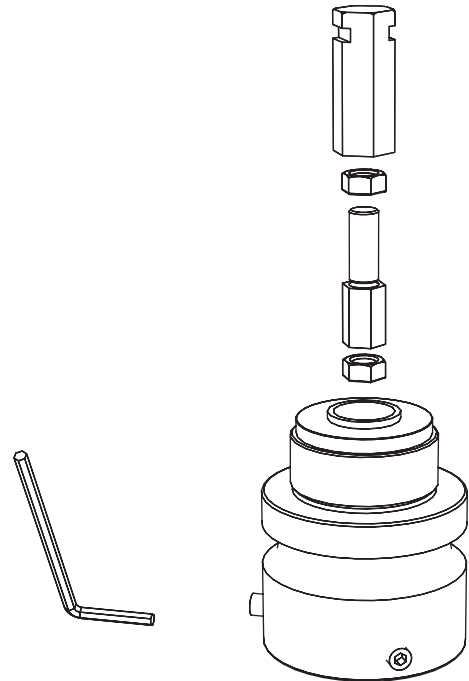
- The AV-815 adapter kit is to be used **only** with the Schneider Electric actuators shown in the *AV-8xx Series Competitive Globe Valve Adapters Selection Guide*, F-27470. The use of other actuators is not acceptable due to actuator stroke and valve stem force limitations.
- For proper operation, the stroke of the Schneider Electric actuator selected must be equal to or greater than that of the Siemens valve body
- Depressurize the valve before removing the existing actuator and linkage and check integrity of the valve stem and plug by moving the stem up and down. If the valve stem and plug have been damaged, stem may blow out under pressure and cause injury and equipment damage.

CAUTION:

- Siemens valves with 3/4" stroke require different kits for their specific bonnet configurations and stroke.
- Do not remove the packing cap from the valve.

Applicable Literature

- *AK-42309-500 Pneumatic Positive Positioner Relay General Instructions*, F-22909
- *AV-401 Pneumatic Valve Actuator Linkage Kit for MK-46xx, General Instructions*, F-25586
- *AV-8xx Series Competitive Globe Valve Adapters Selection Guide*, F-27470
- *AV-7400 Pneumatic Valve Actuator Linkage Kit for MK-2690 and 1/2" Stroke Valves General Instructions*, F-25585
- *MK-2690 Pneumatic Valve Actuator General Instructions*, F-13893
- *MK-46xx Series Pneumatic Valve Actuators General Instructions*, F-13894
- *Mx51-710x Two-Position, Floating, and Proportional DuraDrive Actuators General Instructions*, F-27169



- *Electric/Electronic Products Catalog*, F-27382
- *Pneumatic Products Catalog*, F-27383
- *Schneider Electric Forta Installation Instructions*, DIM119E (F-27506)

Tools Needed

- 5/16" wrench
- 7/16" wrench
- TOOL-118 hex wrench (provided in kit)

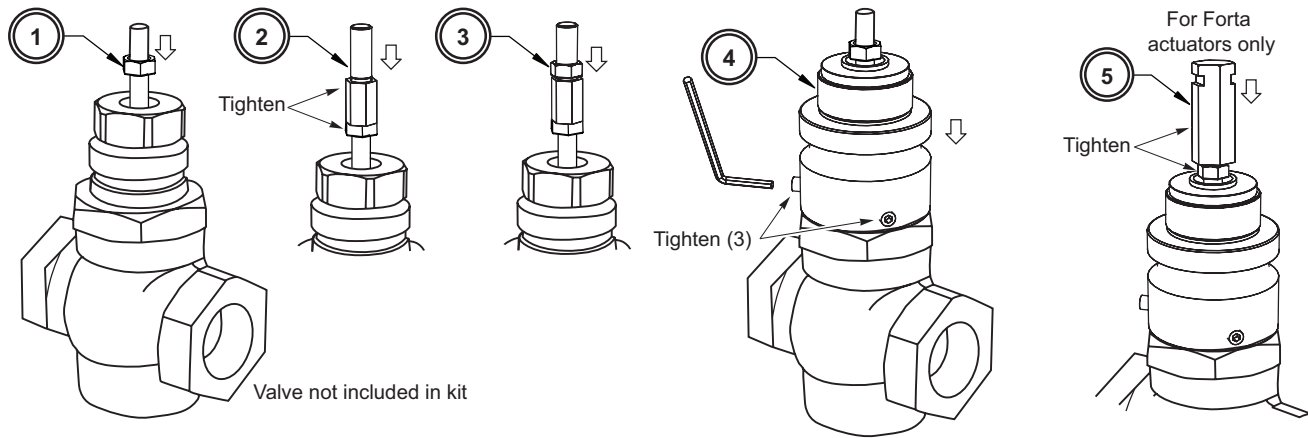
Maintenance Parts

All valve body maintenance parts must be obtained from the manufacturer, Siemens.

Actuator and linkage maintenance parts may be obtained from Schneider Electric. Consult the actuator's General Instructions sheets for further information.

Installation

Follow the steps below.



When tightening the stem adapter to the stem nut, use 5/16" (or TOOL-20) and 7/16" wrenches. After the AV-815 adapter is installed, install the selected actuator and linkage (if required) according to the actuator installation instructions.