

BroadBand Status Monitoring Alarms Interface Harness for CTEG4M Enclosure

The CTSPBCK07 interface harness provides status monitoring capabilities for the CTEG4M enclosure.

Safety

This Safety Guide contains important instructions that should be followed during installation and maintenance of the APC equipment and batteries. It is intended for APC customers who setup, install, relocate, or maintain APC equipment. **Changes and modifications to this unit not expressly approved by APC could void the warranty.**

Installation, initial start-up, and maintenance should be carried out by a qualified electrician.

Adhere to all national and local wiring codes.

Read the Safety Information included in the User's Manual for the CTEG4M enclosure and CTEG48K enclosure, if used.

Failure to observe these warnings may result in serious injury, or death, or damage to the equipment.

Electrical Warnings

Do not work alone under hazardous conditions.

Do not handle any metallic connector before the power has been disconnected.

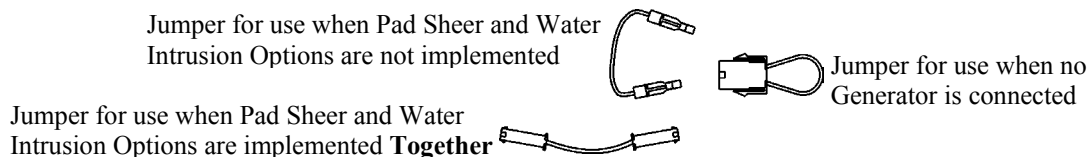
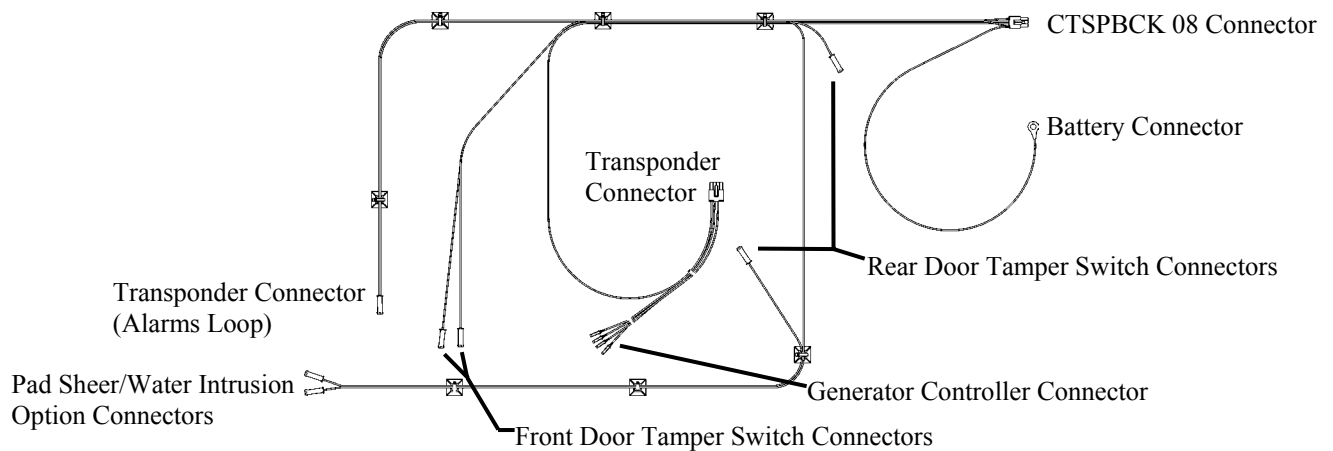
Servicing this equipment may require working with protective covers removed and utility power connected. Use extreme caution during these procedures.

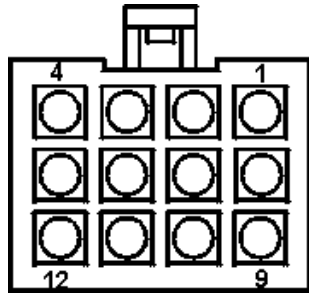
High current through conductive materials could cause severe burns.

When grounding cannot be verified, disconnect the equipment from the utility power outlet before installing or connecting to other equipment. Reconnect the power cord only after all connections are made.

Check that the power cord(s), plug(s), and sockets are in good condition.

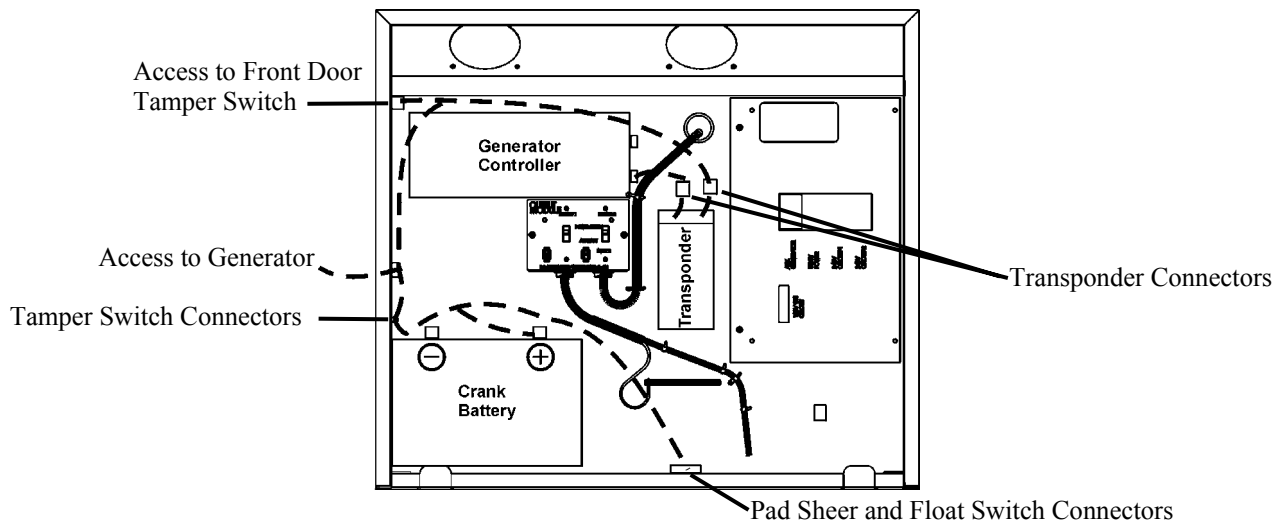
Replacement of fuses or other parts must be with identical types and ratings. Substitution of nonidentical parts may cause safety and fire hazards.





| WIRE | FROM | TO |
|------|--------|-------|
| W8 | XP7-7 | CPC-8 |
| W9 | XP7-3 | CPC-7 |
| W10 | XP7-11 | CPC-6 |
| W11 | XP7-10 | CPC-5 |

| Pin | Input/Output | Description | Active State |
|-----|--------------|-------------------------------|----------------------------|
| 1 | Output | Major Alarm | Open with respect to pin 9 |
| 2 | Output | Major Alarm | Open with respect to pin 9 |
| 3 | Output | Engine Alarm | Open with respect to pin 9 |
| 4 | Output | Gas Hazard | Open with respect to pin 9 |
| 5 | Output | Test Fail | Open with respect to pin 9 |
| 6 | Output | Enclosure Alarm | Open with respect to pin 9 |
| 7 | Output | Engine Status running/stopped | Closed to pin 9 |
| 8 | Output | Tamper | Closed to pin 9 |
| 9 | | Output Common | Closed to pin 11 |
| 10 | Input | Engine Run | |
| 11 | Ground | Engine Run Return | |
| 12 | | TBD | |



Installation

1. Open the CTEG4M enclosure.
2. Disconnect the black cable from the negative terminal on the crank battery.
3. Connect the interface harness as shown in diagram above.
4. Reconnect the black cable to the negative terminal on the crank battery (disconnected in step 2).
5. Verify status monitoring through the transponder interface/head end.