

Status Monitoring Communication Interface Option

The CTSP-SM4 Status Monitoring Interface Option plugs into the CTSP-Electronics Module (CTSP-EM), for system status monitoring in a telecommunications system.

The CTSP-SM4 can be used only with CTSP-EM models having firmware versions 2.00 and higher.

Safety

This Safety Guide contains important instructions that should be followed during installation and maintenance of the APC equipment. It is intended for APC customers who setup, install, relocate, or maintain APC equipment.

Changes and modifications to this unit not expressly approved by APC could void the warranty.

Failure to observe these warnings may result in serious injury, death or damage to the equipment.

Electrical Warnings

- Do not work alone under hazardous conditions.
- Do not handle any metallic connector before the power has been disconnected.
- Servicing this equipment may require working with protective covers removed and utility power connected. Use extreme caution during these procedures.
- High circuit current through conductive materials could cause severe burns.
- When grounding cannot be verified, disconnect the equipment from the utility power outlet before installing or connecting to other equipment. Reconnect the power cord only after all connections are made.
- Check that the power cord(s), plug(s), and sockets are in good condition.
- Replacement of fuses or other parts must be with identical types and ratings. Substitution of nonidentical parts may cause safety and fire hazards.

Unpacking

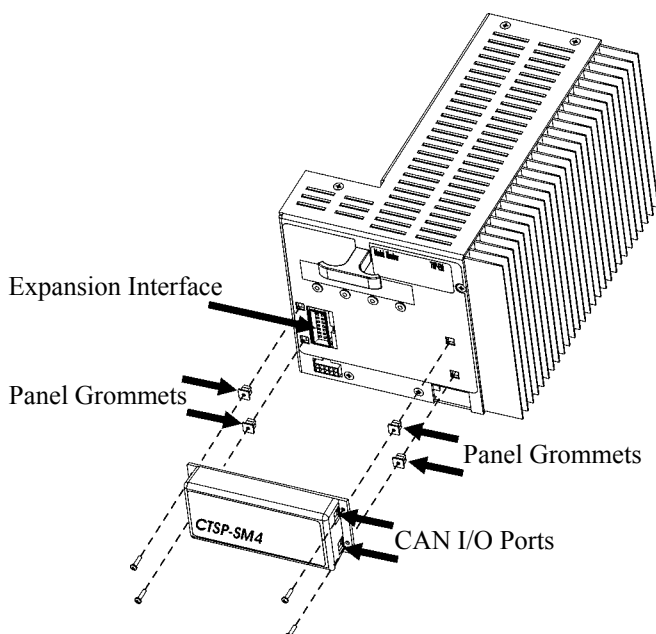
Inspect the unit upon receipt. Notify the carrier if there is damage.

The packaging is recyclable; save it for reuse or dispose of it properly.

The package contains:

- ✓ the CTSP-SM4 with bracket attached
- ✓ four screws
- ✓ four panel grommets

Installation

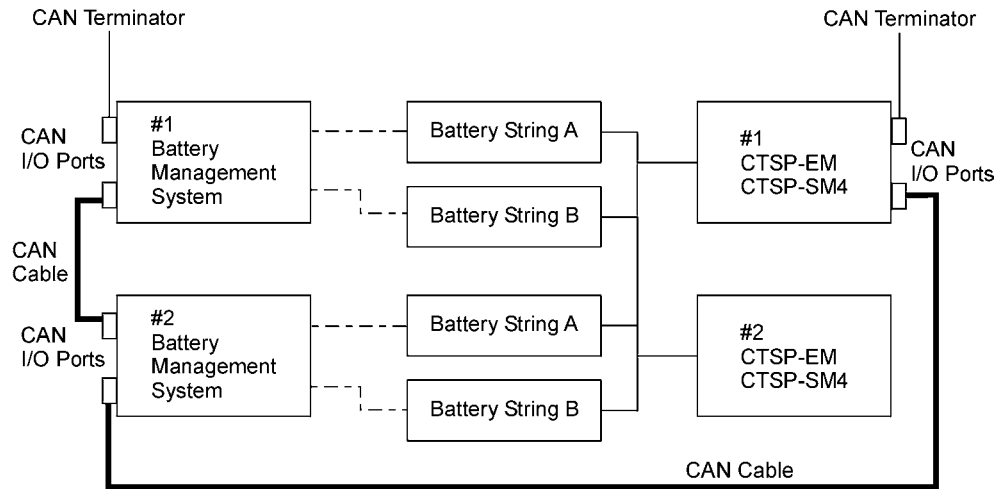


1. Open the enclosure.
2. Switch the utility circuit breaker OFF.
3. Switch the battery circuit breaker OFF.
4. Install the four panel grommets (included), in the appropriate holes on the CTSP-EM.
5. Plug the CTSP-SM4 into the expansion interface on the CTSP-EM.
6. Secure the CTSP-SM4 using four screws (included).
7. Plug the CAN cable connector(s) into one or both of the CAN I/O ports on the CTSP-SM4. RS-485 CAN cables are not included, for ordering details refer to www.apc.com/support.
8. Plug the CAN terminator into an unused CAN I/O port. CAN terminator is not included, for ordering details refer to www.apc.com/support.
9. Switch the utility and battery circuit breakers ON.
10. Verify the functionality of the interface.
11. Close the enclosure.

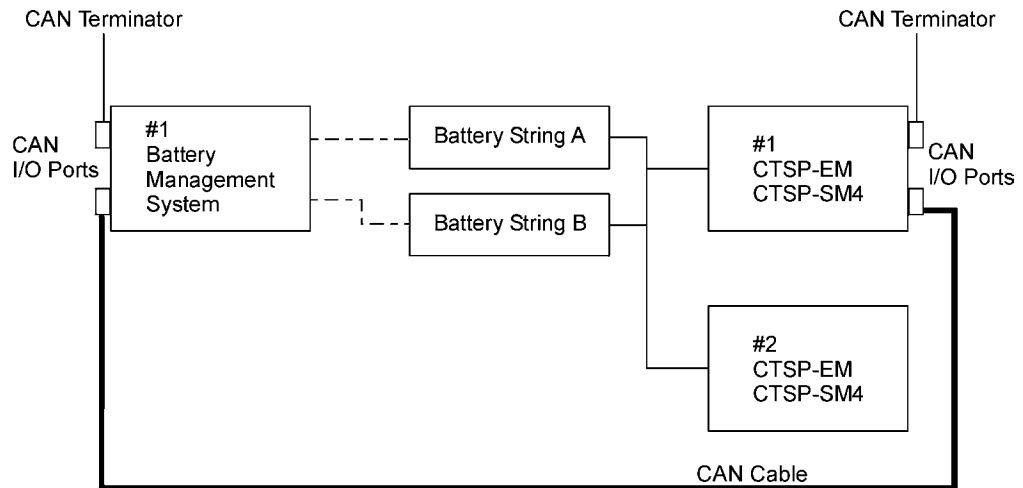
Wiring

Below are three typical wiring configurations for use with a CTSP power system. Other configurations are possible. Contact APC at www.apc.com/support for technical support concerning various configurations.

Scenario 1



Scenario 2



Scenario 3

