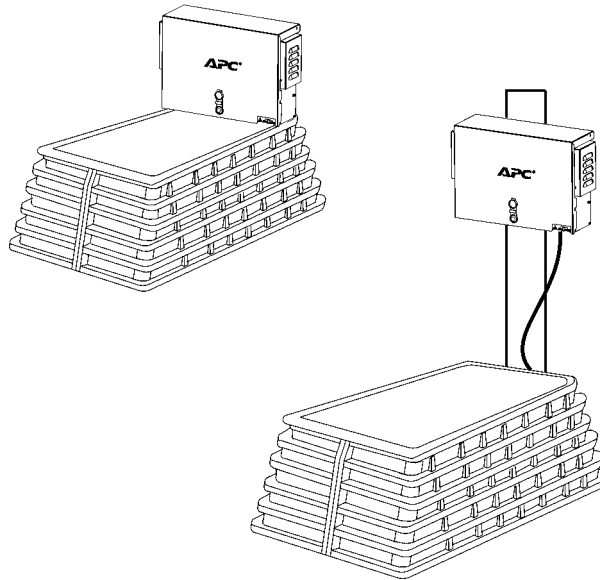




BroadBand CTSLLP/G Series

Pole and Ground Mount Standby Power Supply Enclosures

User Manual



Chapter 1 General Information

The CTSLLP/G Standby Power Supply Series Enclosures provide a power source for broadband cable operations.

Safety

This Safety Guide contains important instructions that should be followed during installation and maintenance of the APC equipment and batteries. It is intended for APC customers who setup, install, relocate, or maintain APC equipment.

Changes and modifications to this unit not expressly approved by APC could void the warranty.

Failure to observe these warnings may result in serious injury, death or damage to the equipment.

Electrical Warnings

- Do not work alone under hazardous conditions.
- Do not handle any metallic connector before the power has been disconnected.
- Servicing this equipment may require working with protective covers removed and utility power connected. Use extreme caution during these procedures.
- High current through conductive materials could cause severe burns.
- When grounding cannot be verified, disconnect the equipment from the utility power outlet before installing or connecting to other equipment. Reconnect the power cord only after all connections are made.
- Check that the power cord(s), plug(s), and sockets are in good condition.
- Replacement of fuses or other parts must be with identical types and ratings. Substitution of nonidentical parts may cause safety and fire hazards.

Lifting Warnings

- These units are heavy. Use proper lifting techniques and equipment to avoid injury.

Overhead Warnings

- Never stand underneath anything while it is being hoisted.
- Always wear a hardhat.

Specifications

Environmental Specifications

Operating Temperature	-40° F to 140° F (-40° C to 60° C)
Humidity	5% to 95% noncondensing within enclosure

Physical Specifications

Characteristic	Specification
Height x Width x Depth <i>CTSLLGULH110S1</i> <i>CTSLLPULH100S1</i> <i>CTSLLGECH220S1</i>	20" x 22" x 7.5" (51cm x 56 cm x 19 cm) 14" x 22" x 7.5" (36 cm x 56 cm x 19 cm) 20" x 22" x 7.5" (51cm x 56 cm x 19 cm)
Weight <i>CTSLLGULH110S1</i> <i>CTSLLPULH100S1</i> <i>CTSLLGECH220S1</i>	20 lbs (9 kg) 16 lbs (7 kg) 20 lbs (9 kg)

Electrical Specifications

Input Characteristic	Input Specification
Input Voltage <i>CTSLLGULH110S1</i> <i>CTSLLPULH100S1</i> <i>CTSLLGECH220S1</i>	120 Vac 120 Vac 220 Vac

Chapter 2 Installation

Only trained service personnel should install and maintain the power supply.

Prior to installation, utility line voltage must be routed to the enclosure. Local, state, federal and/or National Electric Code (NEC) regulations regarding location, permits and electrical wiring must be adhered to.

Do not operate the power supply where the temperature and humidity are outside the specified limits. See *Specifications* in this manual.

Unpacking

Inspect the unit upon receipt. Notify the carrier if there is damage.

The packaging is recyclable; save it for reuse or dispose of it properly.

The package contains:

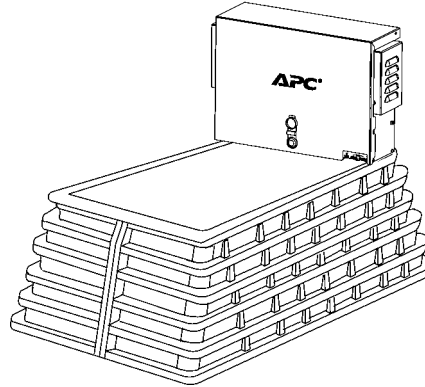
- ✓ the enclosure
- ✓ a temperature sensor
- ✓ *SLLP models*; wiring harness
- ✓ product documentation

Models Supported

Model Number	Description
CTSLLGULH110S1	Enclosure, SLL-G, 120 Vac, SM Ready, UL
CTSLLPULH100S1	Enclosure, SLL-P, 120 Vac, SM Ready, UL
CTSLLGEC220S1	Enclosure, SLL-GEC, 230 Vac, SM Ready. CE

CTSLL Enclosure Installation

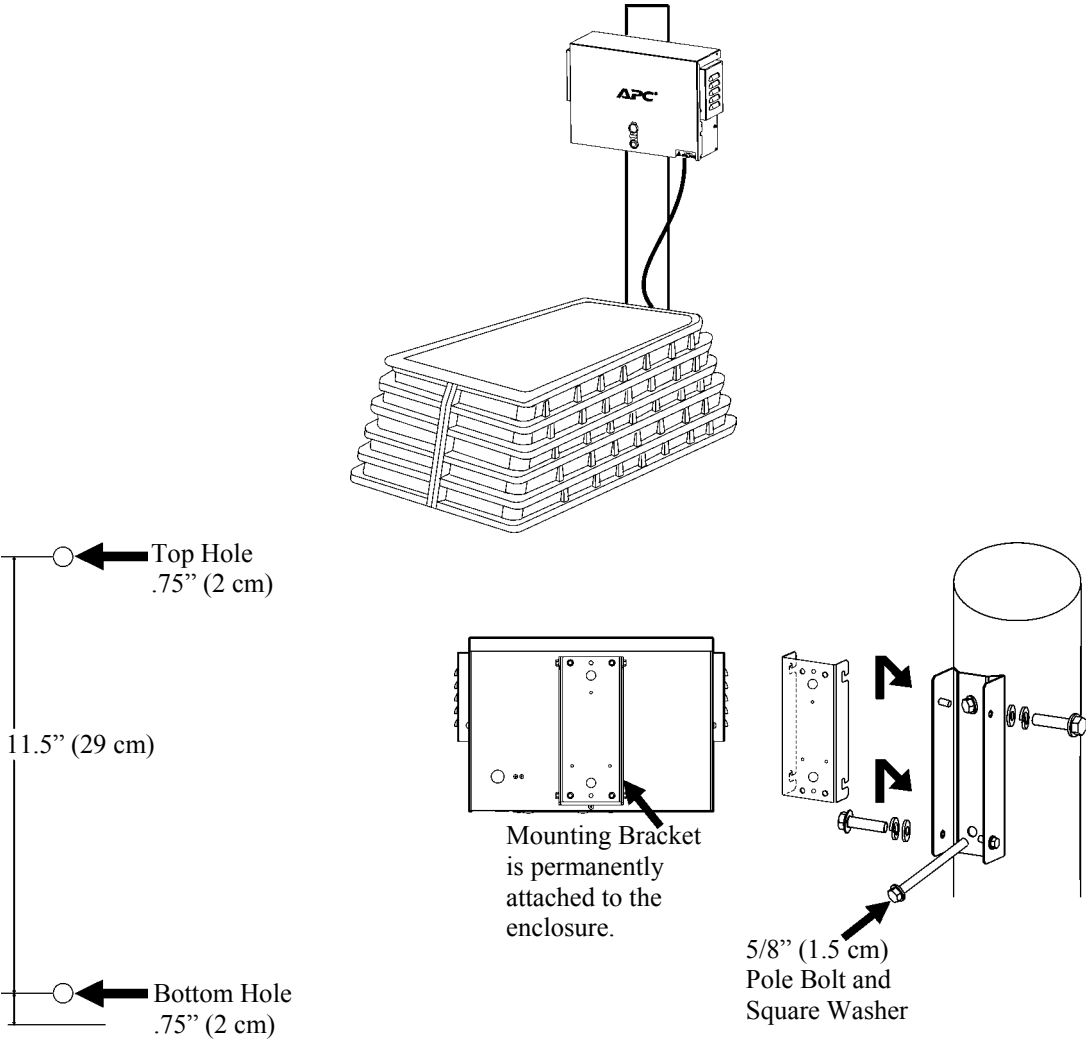
CTSLLG Enclosure Installation



1. Remove the lid from the battery vault.
2. Position the CTSLLG on the edge of the vault lid.
3. Install two 5/16" (.8 cm) x 1" (2.5 cm) flat head screws through the lid into the holes in the back of the CTSLLG.
4. Install four 5/16" (.8 cm) x 3/4" (2 cm) flat head screws through the lid into the holes in the front and sides of the CTSLLG.
5. Replace the lid with the attached enclosure, onto the vault. See diagram.
6. Upend the vault to a 90° angle, taking care that the enclosure does not fall.
7. Insert two 3" (8 cm) carriage bolts into one of the long brackets.
8. Place the bracket on the underside mounting lip on the vault lid.
9. Insert the other long bracket onto the carriage bolts and partially tighten using two flat washers and nuts.
10. Slide the bracket upward toward the front edge of the vault lid.
11. Use the same procedure to install the two short brackets at the rear of the vault lid.
12. Lower the vault with the enclosure attached into the prepared hole. Refer to the battery vault User Manual, 990-1220.

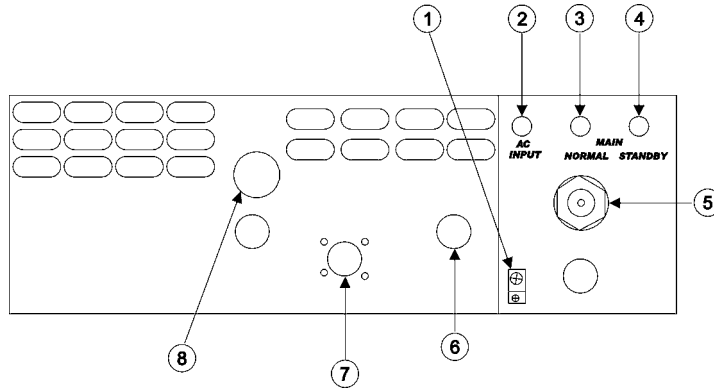
CTSLLP Enclosure Installation

When wall mounting, use screws that are appropriate for the weight of the unit and the mounting surface material. Refer to *Specifications* in this manual.



Controls and Indicators

CTSLLP/G Bottom View



Index	Control/Indicator	Definition
1	Ground wire lug	Provides connection of chassis to earth ground
2	Utility power input indicator lamp (not present on all models)	Yellow indicator illuminates when line voltage is present
3	Normal indicator lamp	Green indicator illuminates when the unit is operating in normal mode, (output is provided by CTFLM module)
4	Standby indicator lamp	Red indicator illuminates when the power supply has transferred from normal to emergency or backup operation, (usually indicates loss of line voltage)
5	Entry point for utility power conduit – 1/2" (1.3 cm)	Physical entry point for utility power input wiring
6	Optional second CTFLM cable adapter	Coax adapter used when an optional backup CTFLM module is installed
7	Status monitoring connector	Entry point for status monitoring connector
8	Output cable adapter	Coax adapter for power supply output

Wiring

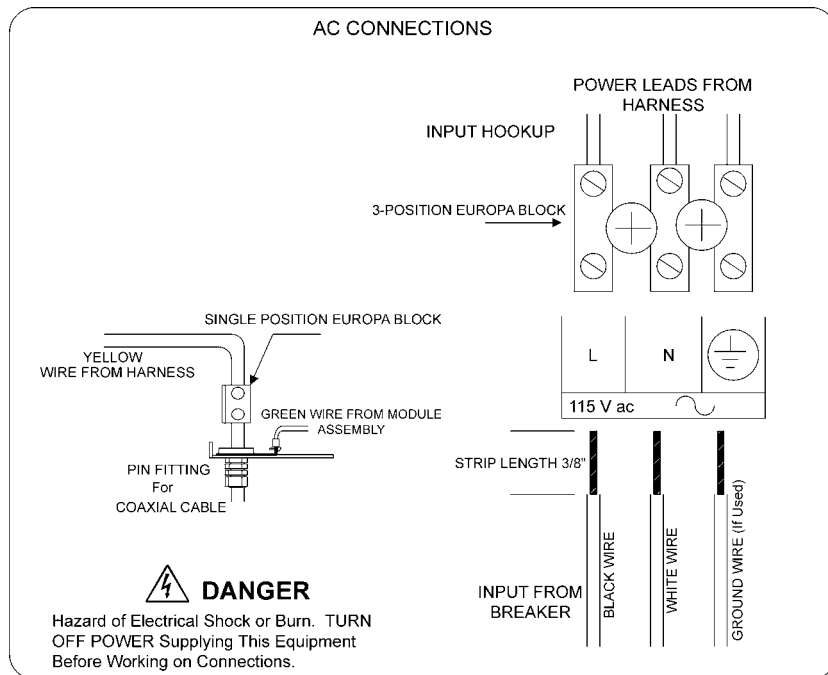
Install an approved 20 A high-magnetic utility circuit breaker.

Ensure the utility circuit breaker is OFF.

- Unlock and open the front/top panel on the CTSLLP/G.

Refer to the diagram below for wiring details.

- Connect the black and white wires from the incoming utility line.
- Route the power feed coax to the bottom of the enclosure and attach to the coax cable adapter using a pin connector.
- Attach the stinger lug to the pin connector center pin.
- Attach suitable solid copper ground wire to the enclosure ground lug and ground in accordance with local codes.
- Check for voltages between each connector pin and ground using a multimeter. Presence of voltage indicates an improper ground. If voltage is present ensure the ground contact is secure.
- Reinstall the front/top panel on the CTSLLP/G.



Install the Battery Vault

Refer to User Manual 990-1220 packaged with the battery vault for installation instructions.

Connect the Batteries in the Battery Vault

Refer to User Manual 990-1220 packaged with the Battery Vault for battery connection details.

Install the temperature sensor on top of the batteries as shown in the 990-1220 User Manual.

Install the CTFLM and the CTSLM

Refer to the User Manual 990-5501 packaged with the CTFLM and CTSLM for installation instructions.

Connect the CTFLM and CTSLM

Refer to the User Manual 990-5501 packaged with the CTFLM and CTSLM for connecting and operating instructions.

Chapter 3 Troubleshooting and Maintenance

Troubleshooting Power Supply Failure

Problem	Possible Cause	Solution
Power Supply Failure	No input voltage detected at connector J1, pins 1 and 2.	Replace the wiring harness
	Input voltage present at connector J1, pins 1 and 2.	Disconnect power from the supply
	No input voltage at the black and white wires input lines.	Replace the Euro block
	Input voltage present at the black and white wire input lines.	Replace the wiring harness.
	No voltage at the Coax stinger.	Replace the CTFLM module

Maintenance

Routine Maintenance Schedule

Operation	Interval
Visual Inspection External Surfaces Connectors Operator Controls Wiring/Cable Assemblies	Semiannually Annually Annually Annually
Cleaning External Surfaces External Controls/Receptacles Internal Receptacles/Circuit Boards	Annually Annually Annually
Performance Verification Refer to <i>Initial Startup</i> in the 990-5501 CTFLM/CTSLM User Manual	Semiannually

Routine Maintenance Procedures

- **Visual Inspection**

- Check external surfaces, connectors, indicators and wiring/cable assemblies for signs of dirt, wear, and damage.

- **Cleaning**

- Brush dust from controls and receptacles using a small paintbrush.
- Wipe surfaces with clean, dry cheesecloth.
- Clean exterior surface with clean cheesecloth moistened with isopropyl alcohol or a general purpose detergent.

NOTE: Do not allow cleaning solution into the interior of the enclosure or into any connectors.

- Clean electrical contacts with approved spray-type contact cleaner.

Clean internal receptacles and circuit boards with hand controlled, dry-air jet (not more than 15 lb/in²), clean cheesecloth moistened with isopropyl alcohol. Wipe dry with clean, dry cheesecloth.

Replacement Procedures

- **Wiring Harness Replacement**

- Switch the utility circuit breaker OFF.
- Remove/open the enclosure door(s).
- Switch the CTFLM OFF.
- Remove the CTFLM.
- Disconnect the stinger lug from the pin connector, center pin.
- Disconnect the utility wires and the ground wires.
- Remove the two quick disconnect connectors from the top of the indicator lamp socket.
- Remove the module connector plate by removing the Phillips head screws located on the front and back of the enclosure.
- Slide the module connector plate and harness to the left and out of the harness plate.
- Slide the replacement connector plate and harness onto the harness plate and replace the screws.
- Reattach the ground wires.
- Replace the quick disconnects on the indicator lamp socket.
- Reconnect the utility wires and the stinger lug.
- Reinstall the CTFLM. Ensure the module is seated properly.
- Switch the CTFLM and the utility circuit breakers ON.

- Complete Performance Verification. Refer to *Initial Startup* in the CTFLM/CTSLM User Manual 990-5501.
- Replace/close the enclosure door(s).

- **Indicator Lamp Replacement**

Gently pry the lens off the indicator lamp using the tip of a screwdriver.

NOTE: Place a hand over the lens as it is loosened to ensure that the lens is not lost during the procedure.

- Remove the spent lamp and replace it with a new one.
- Snap the lens back into place.

Euro Block Replacement

- Switch the utility circuit breaker OFF.
- Remove/open the enclosure door(s).
- Remove the CTFLM.
- Disconnect (and tag), the wiring harness and utility wires from the Euro block.
- Remove the screws that secure the Euro block in the enclosure, and lift out the Euro block.
- Insert the new Euro block and secure it in the enclosure.
- Reconnect the wiring harness to the Euro block.
- Reinstall the CTFLM.
- Replace/close the enclosure door(s).
- Switch the utility circuit breaker ON.
- Complete Performance Verification. Refer to *Initial Startup* in the CTFLM/CTSLM User Manual 990-5501.

Chapter 4 Service, Contact and Warranty Information

Service

APC makes every effort to ensure parts and equipment arrive in working condition. Occasionally, it may be necessary to return parts or equipment that are not in working condition.

If the unit requires service do not return it to the dealer. Follow these steps:

1. Contact APC Customer Service through the APC web site, www.apc.com/support.
 - Note the product model number, the serial number, and the date purchased. If you call APC Customer Service, a technician will ask you to describe the problem and try to solve it over the phone. If this is not possible the technician will issue a Returned Material Authorization Number (RMA#).
 - If the product is under warranty, repairs are free. If not, there is a repair charge.
 - Procedures for servicing or returning products may vary internationally. Refer to the APC web site. Select the appropriate country from the country selection field. Select Support from the tab at the top of the web page.
2. Pack the product in its original packaging.
 - Pack the unit properly to avoid damage in transit. Never use Styrofoam beads for packaging. Damage sustained in transit is not covered under warranty.
3. Mark the RMA# on the outside of the package.
4. Return the unit by insured, prepaid carrier to the address given to you by Customer Service.

How to Contact APC

In the USA ...	Outside the USA ...
Refer to the APC web site, www.apc.com/support .	Refer to the APC web site, www.apc.com . Select the appropriate country from the country selection field. Select the <i>Support</i> tab at the top of the web page.

Limited Warranty

American Power Conversion (APC) warrants its products to be free from defects in materials and workmanship for a period of two years from the date of purchase. Its obligation under this warranty is limited to repairing or replacing, at its own sole option, any such defective products. To obtain service under warranty you must obtain a Returned Material Authorization (RMA) number from customer support. Products must be returned with transportation charges prepaid and must be accompanied by a brief description of the problem encountered and proof of date and place of purchase. This warranty does not apply to equipment that has been damaged by accident, negligence, or misapplication or has been altered or modified in any way. This warranty applies only to the original purchaser who must have properly registered the product within 10 days of purchase.

EXCEPT AS PROVIDED HEREIN, AMERICAN POWER CONVERSION MAKES NO WARRANTIES, EXPRESSED OR IMPLIED, INCLUDING WARRANTIES OF MERCHANTABILITY AND FITNESS FOR A PARTICULAR PURPOSE. Some states do not permit limitation or exclusion of implied warranties; therefore, the aforesaid limitation(s) or exclusion(s) may not apply to the purchaser.

EXCEPT AS PROVIDED ABOVE, IN NO EVENT WILL APC BE LIABLE FOR DIRECT, INDIRECT, SPECIAL, INCIDENTAL, OR CONSEQUENTIAL DAMAGES ARISING OUT OF THE USE OF THIS PRODUCT, EVEN IF ADVISED OF THE POSSIBILITY OF SUCH DAMAGE. Specifically, APC is not liable for any costs, such as lost profits or revenue, loss of equipment, loss of use of equipment, loss of software, loss of data, costs of substitutes, claims by third parties, or otherwise.

Regulatory Approval



2003 <small>EN 60950-1:2003</small>		CE Declaration of Conformity	
We, the undersigned, declare under our sole responsibility that the equipment specified below conforms to the following standards and directives:			
Standards to Which Conformity Declared:		EN 6100-3-2, 3-3, 4-2, 4-3, 4-4, 4-5, 4-6, 4-11, EN 60950, EN 55022, IEC 60950	
Application of Council Directives:		73/23/EEC, 89/336/EEC	
Type of Equipment:		Power Supply	
Model Numbers:		CTSLGECHE220S1	
Manufacturer's Name and Address:		American Power Conversion 132 Fairgrounds Road West Kingston, Rhode Island, 02892, USA -or- American Power Conversion 1600 Division Highway West Warwick, RI 02893, USA -or- American Power Conversion (A. P. C.) b. v. Ballybrit Business Park Galway, Ireland	
Importer's Name and Address:		American Power Conversion (A. P. C.) b. v. Ballybrit Business Park Galway, Ireland	
Place:	N. Billerica, MA U.S.A.	Richard J. Everett, Sr. Regulatory Compliance Engineer <i>Richard J. Everett</i> 5 Jan 03	
Place:	Galway, Ireland	Ray S. Ballard, Managing Director, Europe <i>Ray S. Ballard</i> 5 Jan 03	

Entire contents copyright © 2003 by American Power Conversion Corporation. All rights reserved. Reproduction in whole or in part without permission is prohibited.

APC is a registered trademark of American Power Conversion Corporation. All other trademarks are the property of their respective owners.