

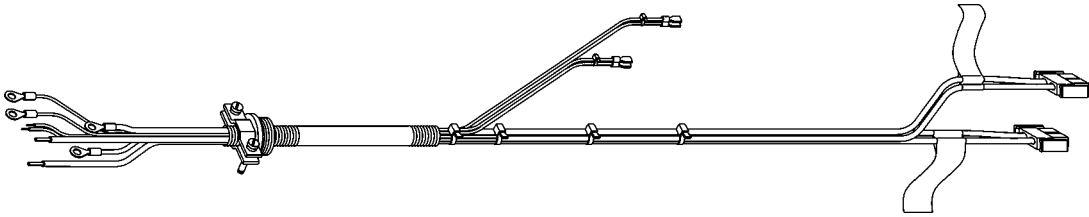


Broadband Harness Assembly Output Module to Power Supply

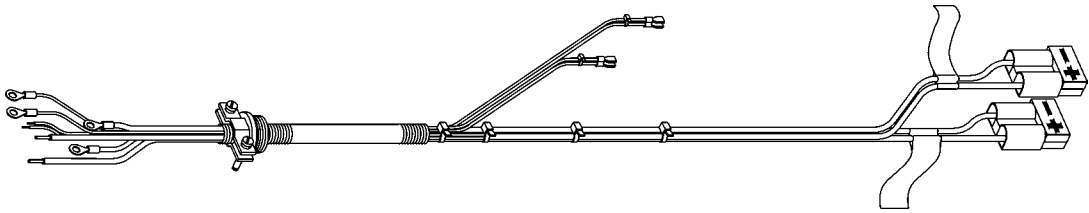
CTSPBCK 15 A/22 A

Installation Guide

CTSPBCK-15 15A



CTSPBCK-16 22A



Chapter 1 General Information

The CTSPBCK harness assembly provides an output path from the power supply to the EIO box.

The CTSPBCK harness assembly is designed for use in a CTEG4M enclosure.

Safety

This Safety Guide contains important instructions that should be followed during installation and maintenance of the APC equipment and batteries. It is intended for APC customers who setup, install, relocate, or maintain APC equipment.

Changes and modifications to this unit not expressly approved by APC could void the warranty.

Failure to observe these warnings may result in serious injury, death or damage to the equipment.

Electrical Warnings

Do not work alone under hazardous conditions.

Do not handle any metallic connector before the power has been disconnected.

Servicing this equipment may require working with protective covers removed and utility power connected. Use extreme caution during these procedures.

High current through conductive materials could cause severe burns.

When grounding cannot be verified, disconnect the equipment from the utility power outlet before installing or connecting to other equipment. Reconnect the power cord only after all connections are made.

Check that the power cord(s), plug(s), and sockets are in good condition.

Replacement of fuses or other parts must be with identical types and ratings. Substitution of nonidentical parts may cause safety and fire hazards.

Chapter 2 Installation

Models Supported

CTSPBCK-15	Harness Assembly Output Module to Power Supply 15 A
CTSPBCK-16	Harness Assembly Output Module to Power Supply 22 A

Unpacking

Inspect the module upon receipt. Notify the carrier if there is damage.

The packaging is recyclable; save it for reuse or dispose of it properly.

Models Supported

CTSPBCK-15	Harness Assembly Output Module to Power Supply 15 A
CTSPBCK-16	Harness Assembly Output Module to Power Supply 22 A

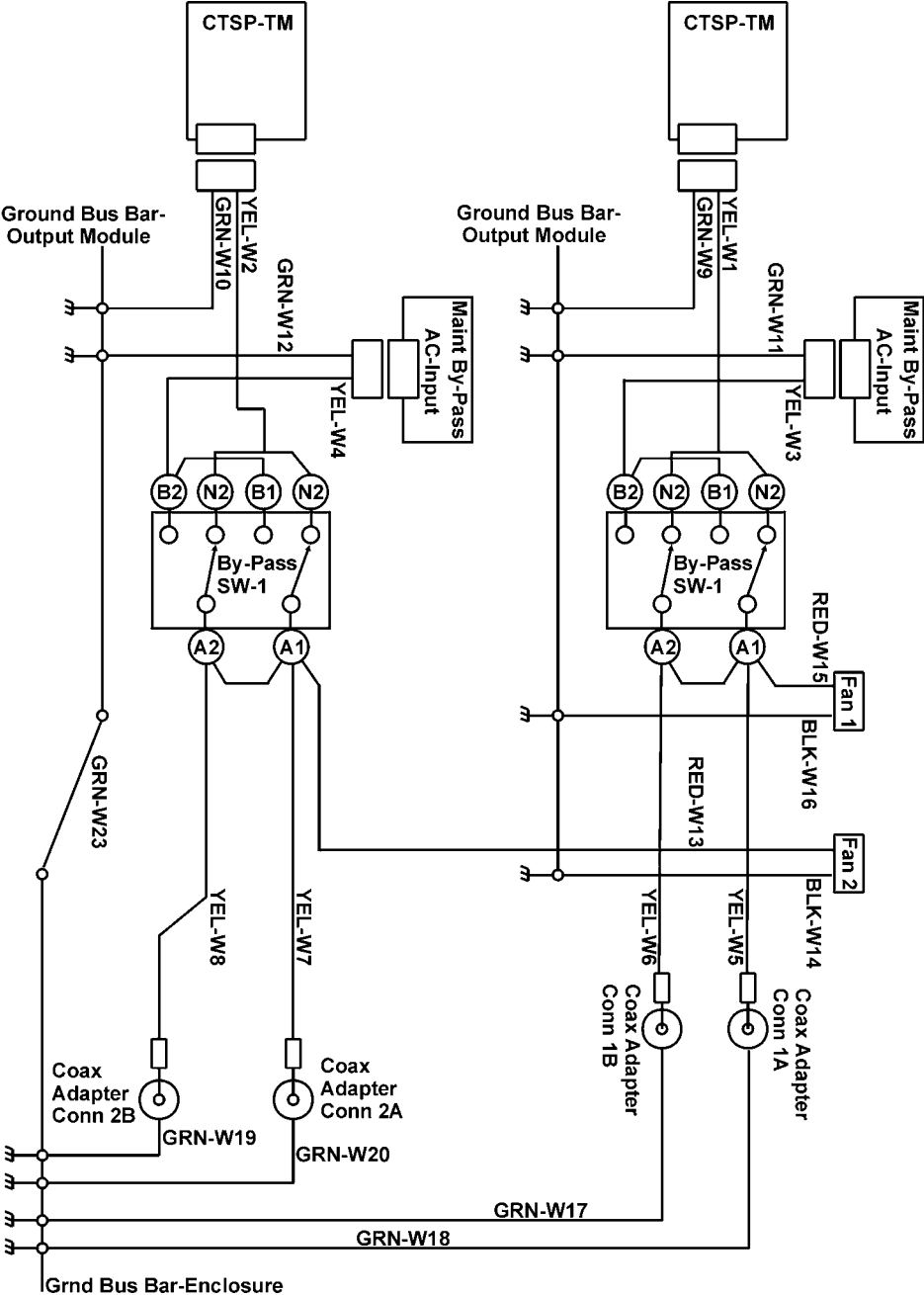
Installing the CTSPBCK Harness Assembly

Only trained service personnel should install and maintain the CTSPBCK harness assemblies.

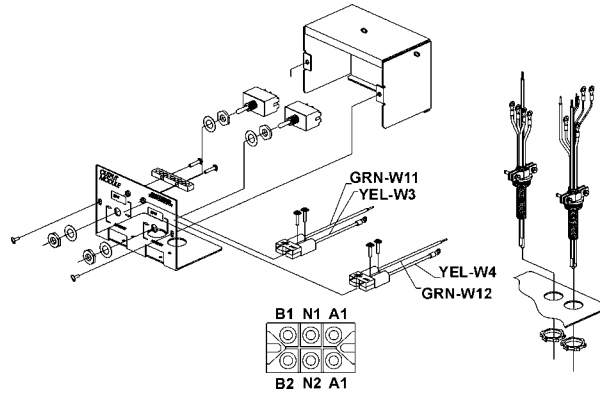
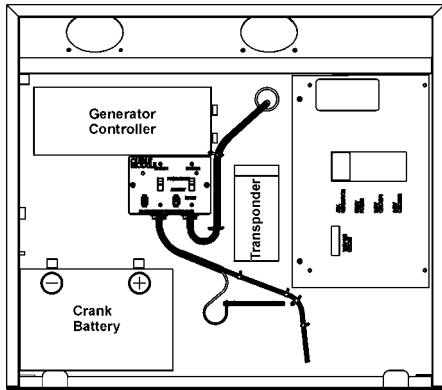
Adhere to federal and local electrical and wiring codes.

1. Disconnect the crank battery if a generator is being used.
2. Switch the battery circuit breaker OFF.
3. Switch the utility circuit breaker Off.
4. Refer to the wiring schematic below for installation instructions.

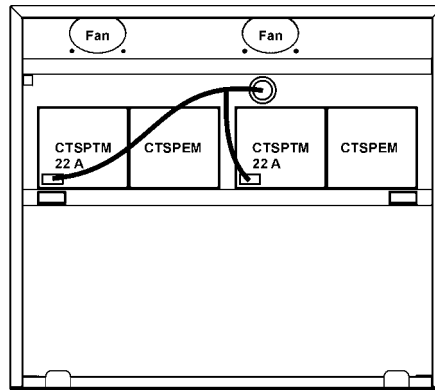
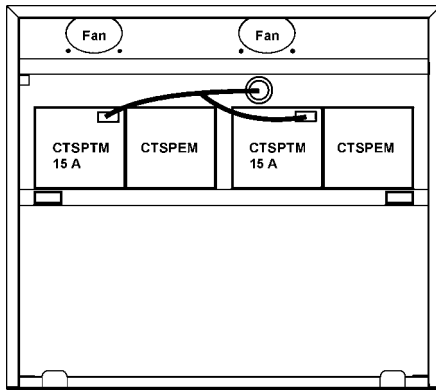
Wiring Schematic for CTSPBCK15/16



CTEG4M Enclosure Rear View Wiring the EIO Box



CTEG4M Enclosure Front View



Connecting Power to the CTEG4M

5. Switch the utility circuit breaker ON.
6. Switch the battery circuit breaker ON.
7. Connect the crank battery if a generator is being used.

Chapter 2 Service, Contact and Warranty Information

Service

APC makes every effort to ensure parts and equipment arrive in working condition. Occasionally, it may be necessary to return parts or equipment that are not in working condition.

If the UPS requires service do not return it to the dealer. Follow these steps:

1. Contact APC Customer Service through the APC web site, www.apc.com/support.
 - Note the product model number, the serial number, and the date purchased. If you call APC Customer Service, a technician will ask you to describe the problem and try to solve it over the phone. If this is not possible the technician will issue a Returned Material Authorization Number (RMA#).
 - If the product is under warranty, repairs are free. If not, there is a repair charge.
 - Procedures for servicing or returning products may vary internationally. See *How to Contact APC* below.
2. Pack the product in its original packaging.
 - Pack the unit properly to avoid damage in transit. Never use Styrofoam beads for packaging. Damage sustained in transit is not covered under warranty.
3. Mark the RMA# on the outside of the package.
4. Return the unit by insured, prepaid carrier to the address given to you by Customer Service.

How to Contact APC

In the USA ...	Outside the USA ...
Refer to the APC web site, www.apc.com/support .	Refer to the APC web site, www.apc.com . Select the appropriate country from the country selection field. Select the <i>Support</i> tab at the top of the web page.

Limited Warranty

American Power Conversion (APC) warrants its products to be free from defects in materials and workmanship for a period of two years from the date of purchase. Its obligation under this warranty is limited to repairing or replacing, at its own sole option, any such defective products. To obtain service under warranty you must obtain a Returned Material Authorization (RMA) number from customer support. Products must be returned with transportation charges prepaid and must be accompanied by a brief description of the problem encountered and proof of date and place of purchase. This warranty does not apply to equipment that has been damaged by accident, negligence, or misapplication or has been altered or modified in any way. This warranty applies only to the original purchaser who must have properly registered the product within 10 days of purchase.

EXCEPT AS PROVIDED HEREIN, AMERICAN POWER CONVERSION MAKES NO WARRANTIES, EXPRESSED OR IMPLIED, INCLUDING WARRANTIES OF MERCHANTABILITY AND FITNESS FOR A PARTICULAR PURPOSE. Some states do not permit limitation or exclusion of implied warranties; therefore, the aforesaid limitation(s) or exclusion(s) may not apply to the purchaser.

EXCEPT AS PROVIDED ABOVE, IN NO EVENT WILL APC BE LIABLE FOR DIRECT, INDIRECT, SPECIAL, INCIDENTAL, OR CONSEQUENTIAL DAMAGES ARISING OUT OF THE USE OF THIS PRODUCT, EVEN IF ADVISED OF THE POSSIBILITY OF SUCH DAMAGE. Specifically, APC is not liable for any costs, such as lost profits or revenue, loss of equipment, loss of use of equipment, loss of software, loss of data, costs of substitutes, claims by third parties, or otherwise.

Entire contents copyright © 2003 by American Power Conversion Corporation. All rights reserved. Reproduction in whole or in part without permission is prohibited.

APC is a registered trademark of American Power Conversion Corporation. All other trademarks are the property of their respective owners.