

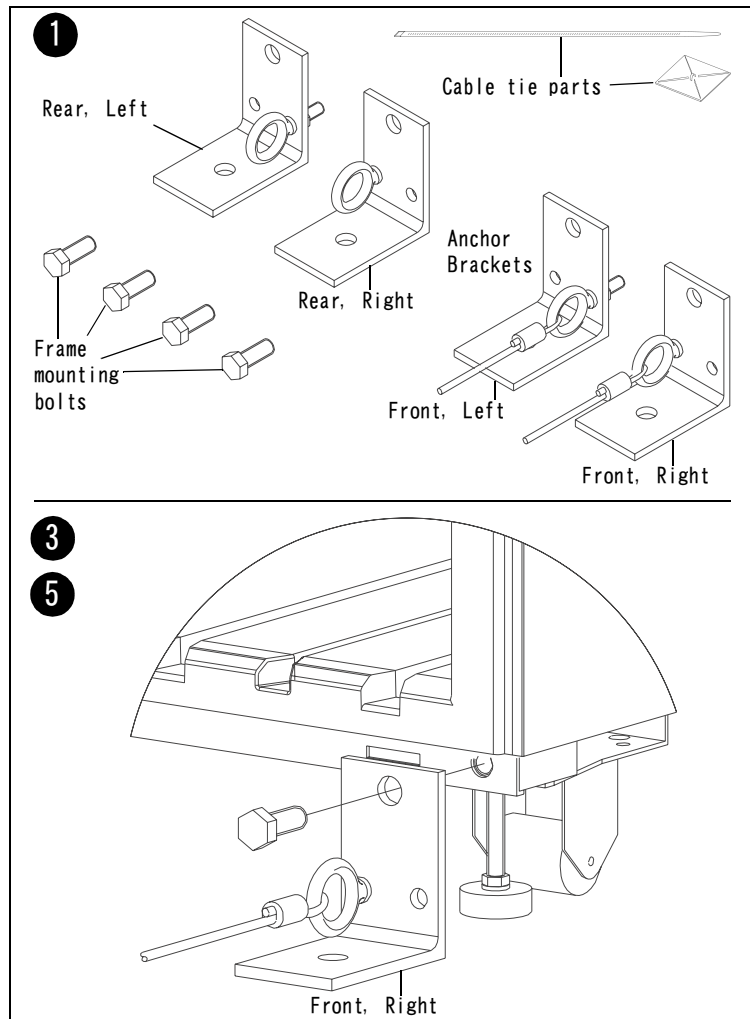
Earthquake Protection Installation Guide

For Frame Models: SYMSTRFJ
SYMINFJ

Notice!

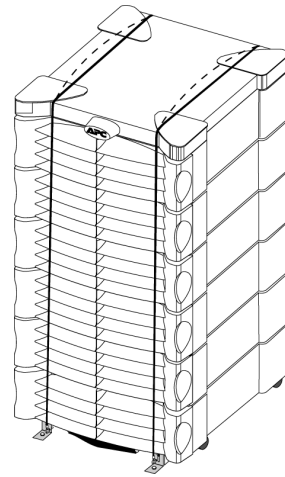
- Floor mounting hardware must be procured to accommodate mounting method used (i. e. ; concrete floor, raised floor, etc.) and installed per manufacturer's requirements. Hilti International (www.Hilti.com) is a supplier of Anchor Systems. Anchor Brackets provided have a clearance hole for an M12 (1/2 inch) floor mounting bolt (recommended minimum size).

1. Check Parts.
2. Position the Frame and Remove all Grill Covers
3. Mount Anchor Brackets on Frame hand tight to ensure proper positioning. Use leveling feet to lift if required. Mark floor through hole in brackets. Remove brackets.
4. Install floor mounting hardware per Manufacturer's Instructions
5. Mount Anchor Brackets on Symmetra. Torque to 4-5 Nm (35-44 in-lbs)

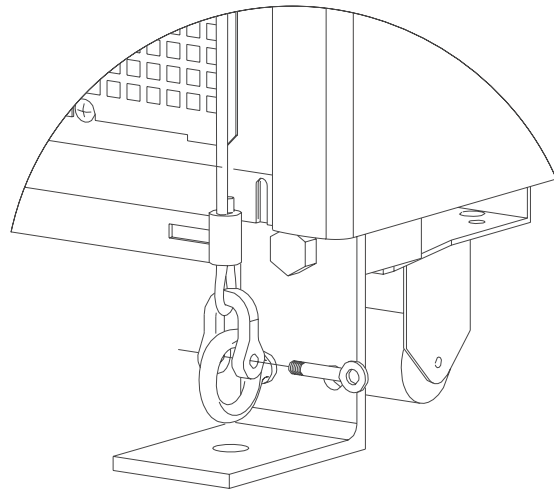


6. Install floor mounting Bolts per Manufacturer's Instructions
7. Start up Symmetra per User Manual, and verify operation.
8. Replace Grill Covers and Position Cables over the Top of the Frame.
9. Attach cable jaws to rear Anchor Bracket rings.
10. Wind Turnbuckles clockwise until hand tight. Use a tool to make approximately 4 more half turns so cables are tight across the top of the Frame.
11. Secure PowerView display cable to limit movement.

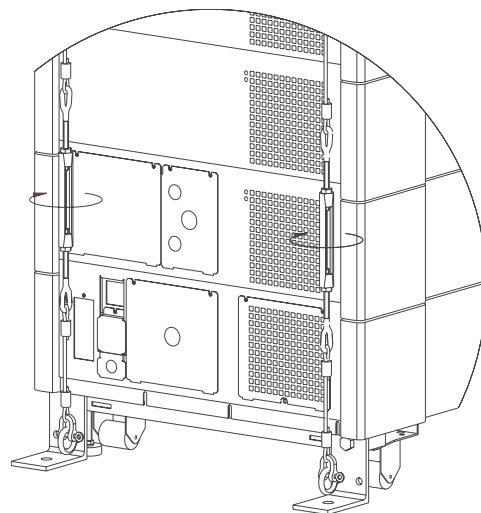
8



9



10



11

