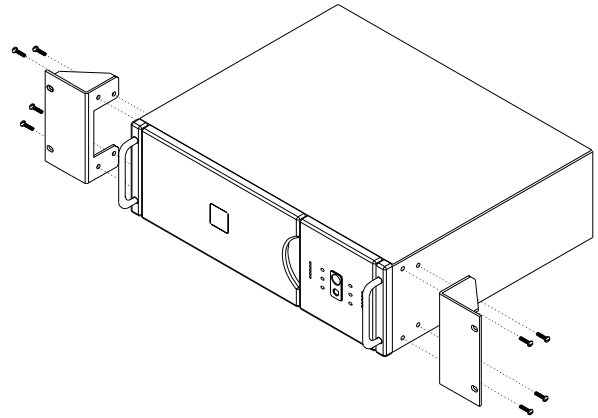


Rack Mount Smart-UPS 1400 with 19" ears



Rack Mount Smart-UPS 1400 with 23" ears

Procedure:

1. Remove unit from the rack or its packaging. Be careful - the unit is heavy.
2. Unscrew the four screws that fasten each ear to the unit and place the screws aside.
3. Remove the mounting ears.
4. Attach the new mounting ears by aligning them as shown in the diagram and fastening each ear with four screws.
5. Replace the unit in the rack.

Note: The figure above shows the SU1400RM model. The same 23" mounting ears can be used with the SU700RM and SU1000RM models as well.