

Installation Instructions

SU046 Shelf Assembly

Safety Precautions

- Each SU046 Shelf Assembly is capable of supporting a 70 lb load. A typical 3-shelf installation must support approximately 200 lbs of weight. It is imperative that the method of fastening the shelves to the wall, as well as the wall structure itself, is capable of safely supporting these loads. Make sure that the installation is performed by a qualified professional.
- Make sure that the installation adheres to all applicable Building and Electrical regulations for the local area.
- Do not install more than three (3) shelves in a vertical column.

Mounting

The SU046 Shelf Assembly is secured to a wall or other vertical surface with six screws. (See illustrations below) The type and size of the fastening hardware used depends on the composition of the surface that the shelf will be mounted to. Typical installations are illustrated below.

Stud Wall Installation

Note: Mounting screws should be screwed directly into studs. Drill 5/64 in. (#48 drill) pilot holes before installing screws. Drywall anchors are *not* sufficient to support the installation.

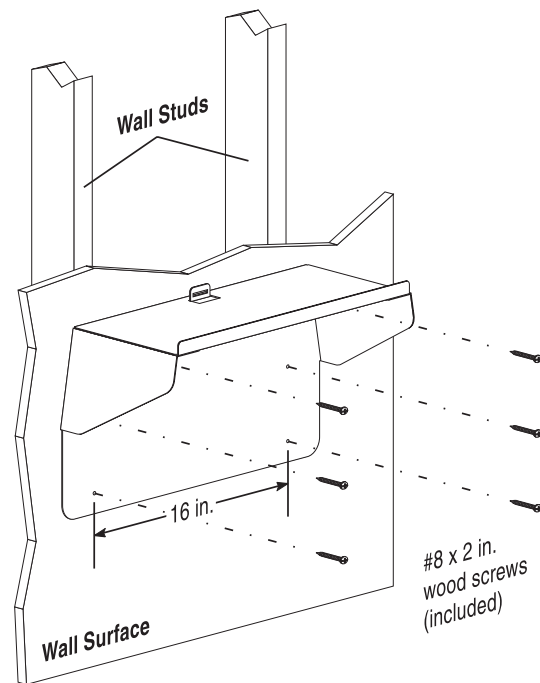


Figure 1 - Typical Stud Wall Installation

Plywood Panel Installation

Note: Plywood must be at least 3/4 in. thickness.

Drill 5/64 in. (#48 drill) pilot holes before installing screws.

Plywood panel must be mounted to a surface capable of supporting the total weight of the shelves, power system and panel (approx. 225 lbs for 3 shelves; 105 lbs for a single shelf).

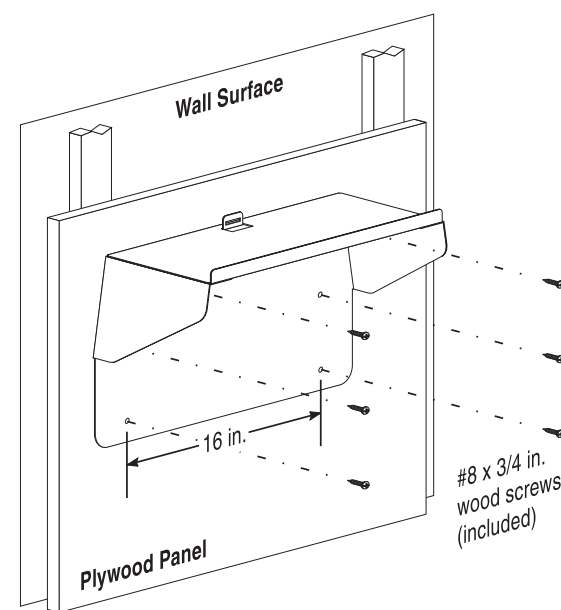


Figure 2 - Typical Plywood Utility Panel Installation

Safety Strap

Safety straps have been provided in order to secure the Uninterruptible Power Source and the battery packs to the shelves.

Note: It is recommended that the strap be threaded through the slots in the shelf before the unit is placed onto the shelf.

Typical 3-Shelf Installation

The following diagram illustrates a typical installation with three shelves. Note the vertical spacing requirement between the shelves.

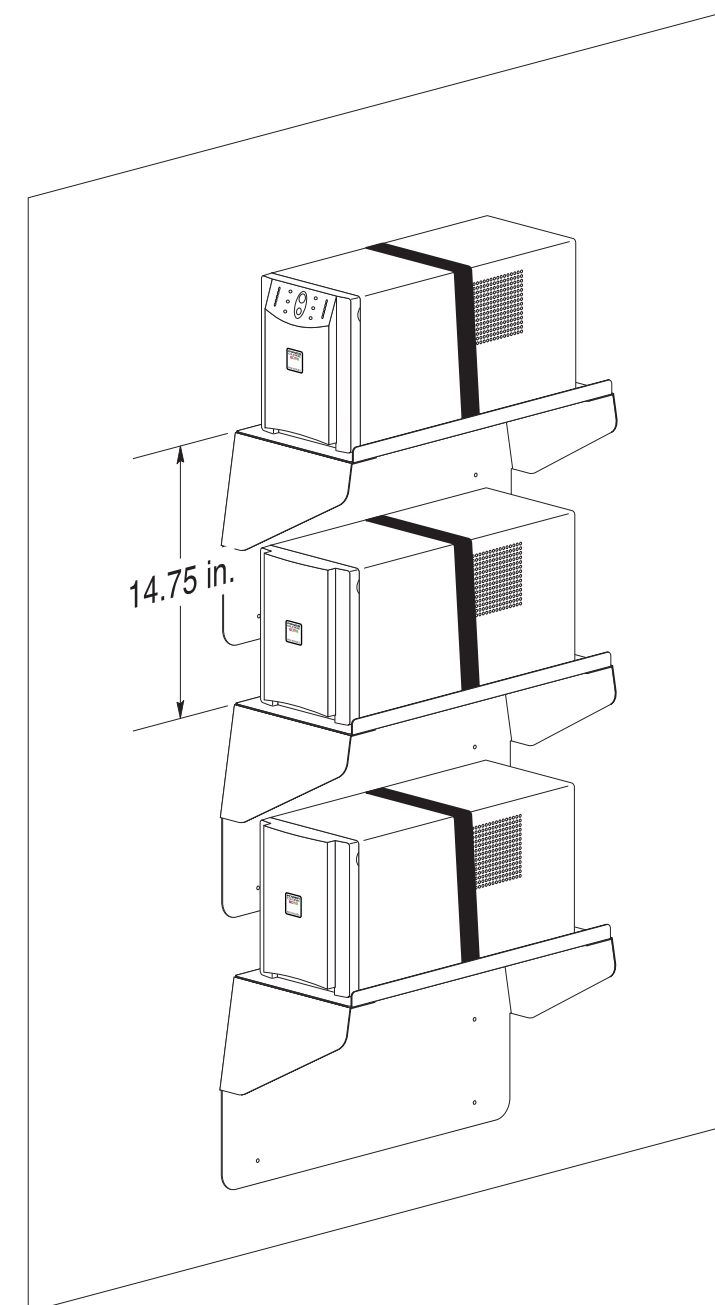


Figure 3 - Typical 3-Shelf Installation

16"
STUD CENTERS

MOUNTING TEMPLATE

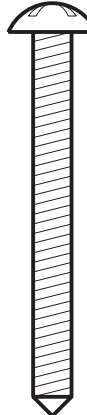
Position and level this template, then tape into place.

Tools required:

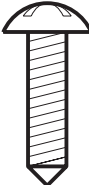
- Drill
- 5/64" (#48) Drill Bit
- #2 Phillips Screwdriver
- Level

4 1/2"

#8 x 2"lg wood screw
Qty - 6
(Included)
For direct mounting
to studs



#8 x 3/4"lg wood screw
Qty - 6
(Included)
For direct panel installation
on 3/4" thick or greater
plywood



4 1/2"