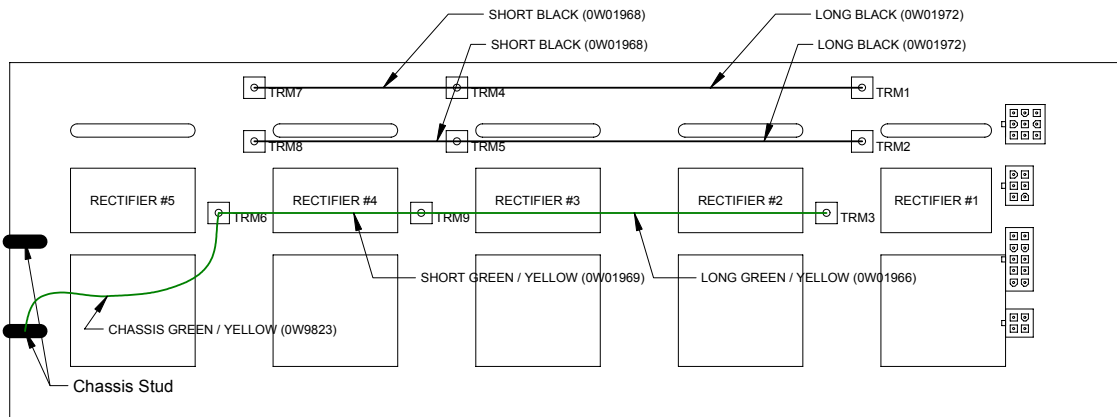
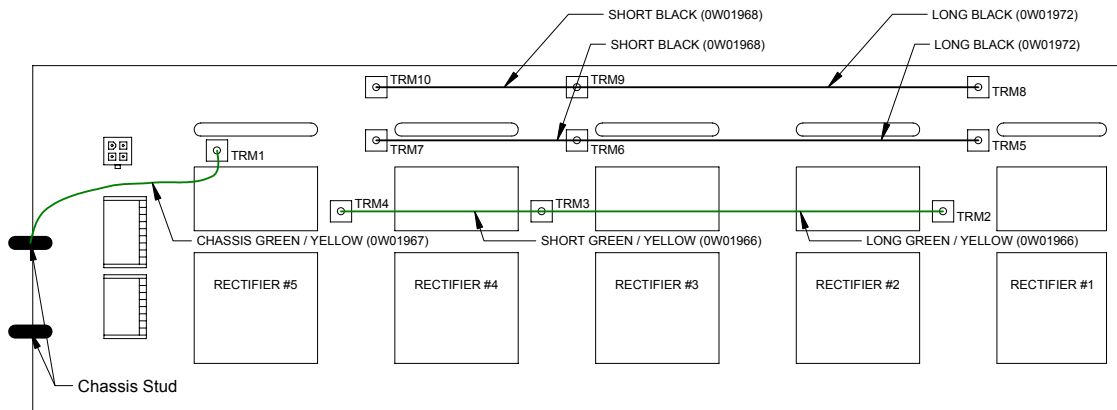


AC Power Cord Set Assembly Instructions

208 / 220 / 240 VAC Locking Plugs; 2 x L6-20P with 12 ft. Cord, #12 AWG Supports Two 20A Circuits. (Power Cord Set #0M-1150)

All of the hardware needed to add the cord set should be in place on the backplane of the power shelf. The first two figures shown below shows the initial wiring of the Magnum VS-50 backplane (top figure) and the MX06-50 backplane (bottom figure.)



First, remove the back cover from the power shelf. Save the screws that hold the cover in place. Then, remove all SHORT BLACK and SHORT GREEN / YELLOW wires from the backplane. Be sure to save the hardware. Do not remove the CHASSIS GREEN / YELLOW, and LONG BLACK and GREEN wires.

Pass the two APC model number 0W90302 power cords through the conduit clamp strain-relief on the back cover. Using the hardware you removed, add the two power cords as shown in the figures on the next page. The top figure is for the Magnum VS-50, while the bottom figure is for the MX06-50. Be sure to follow the color-coding of the wires.

Replace the back cover. Tighten down the conduit clamp strain-relief on the cords.



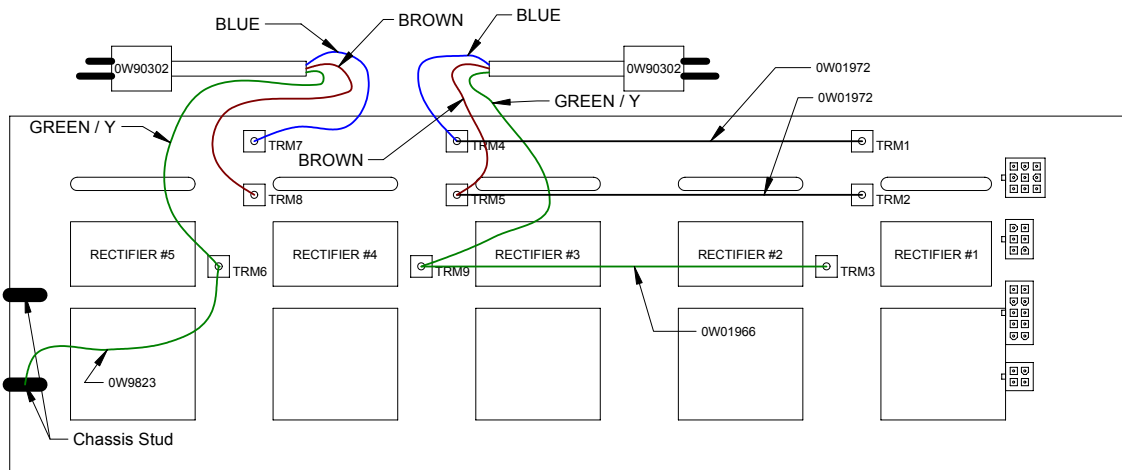
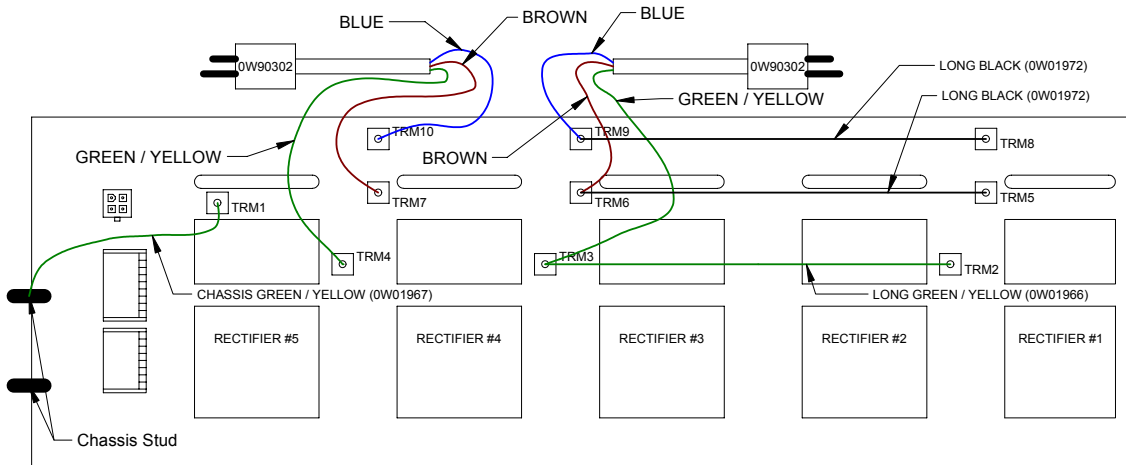
American Power Conversion
DC Network Solutions Division

User Assembly Instructions for the 0M-1150 AC Power Cord Set

Document #
990-1105A

208/220/240 VAC LOCK PLUG, 2 x L6-20 P, W/ 12' CORD, #12 AWG 1&2&3, 4&5

SUPPORTS 2 x 20 A CKTS



Color Code for AC Cords

There are two common color codes for the wires of single-phase AC power cords. The color code of the supplied cord may be either North American or European Harmonized, which is summarized in the table below. Commonly used alternate words are in parenthesis.

AC Cord Color Code

Wire Designation	North American	European Harmonized
Line (Hot, High, Line One)	Black	Brown
Neutral (Low, Line Two)	White	Blue
Ground (Earth)	Green	Green/Yellow