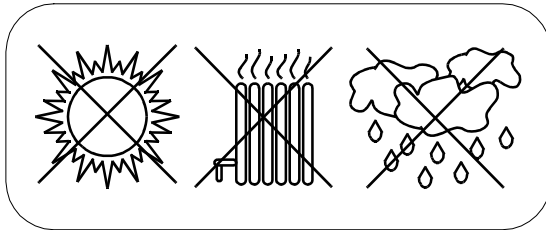


Thank you for purchasing APC's Game Manager!

Please read and retain this manual as it provides information on safety, installation, use, storage, product warranty and more.

Safety

- Do not install this device during a lightning storm.
- For indoor use only.
- Do not install or store this product in a hot or excessively moist location.

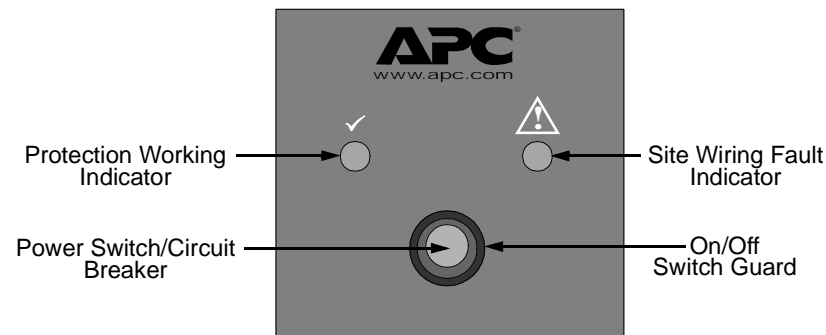


Indicators and Switches

Protection Working – When the power switch is turned ON, the green Protection Working indicator illuminates to show the surge protector is protecting connected equipment from harmful electrical surges. The equipment is protected even when the Game Manager's power switch is turned OFF. If the Protection Working indicator does not illuminate when the power switch is turned ON, the unit has sustained damage and is no longer capable of protecting the connected equipment. The Game Manager should be returned according to the instructions provided (see *Limited Warranty*).

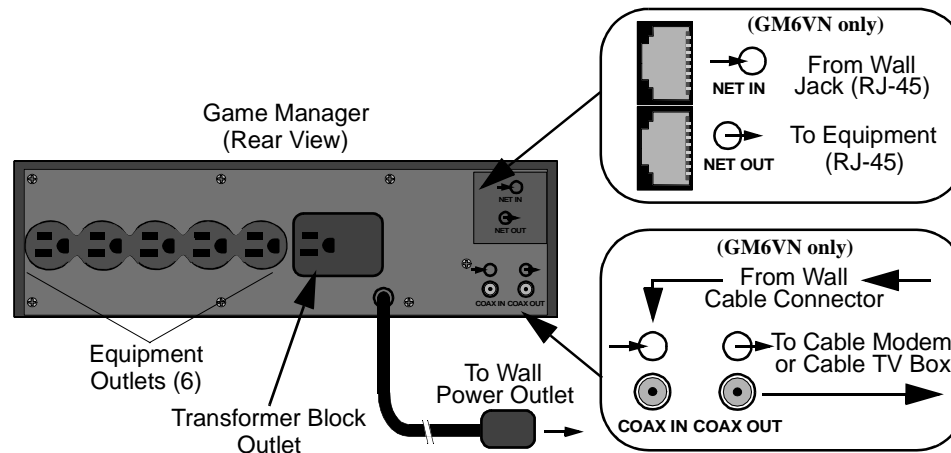
Site Wiring Fault – This red indicator, when lit, shows that the building wiring presents a potential shock hazard. If this indicator is lit, contact a qualified electrician to correct the building wiring.

Power Switch/Circuit Breaker – The front panel combination Power switch/circuit breaker applies power to the surge protector receptacles and acts as a circuit breaker to protect against overload conditions. If the circuit breaker has tripped due to an overload, unplug one or more pieces of equipment and reset the circuit breaker by turning the switch OFF and then back ON.



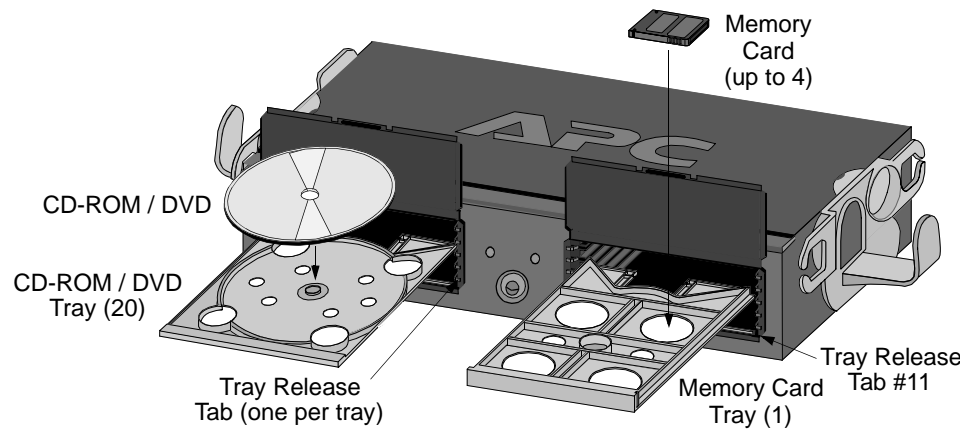
Connecting equipment to the surge protected outlets:

1. Place the Game Manager Power switch to the OFF position.
2. Plug the Game Manager power cord into a 3-prong, grounded outlet only.
3. Ensure power switches for equipment to be plugged into the Game Manager are in the OFF position. Plug the power cord from the game console, TV, and other devices into the outlets on the back of the Game Manager (a separate outlet is provided for one device that uses a transformer block plug).
4. Connect cables to Online Gaming Protection jacks (GM6VN only):
 - a. If protecting a Cable Modem, Cable TV box, or gaming equipment that requires a coaxial cable connection, connect the coaxial cable from the cable wall jack to the Game Manager jack marked COAX IN. Using the supplied coaxial cable, connect from the Game Manager jack marked COAX OUT to the Cable Modem, Cable TV box, or gaming console.
 - b. If using a Local Area Network (LAN) 10-BaseT or 100-BaseT cable to access the Internet or other network, connect the cable from the wall jack to the Game Manager RJ-45 jack marked NET IN. Using the supplied network cable, connect from the Game Manager RJ-45 jack marked NET OUT to the equipment.
5. Turn ON the Power switch to supply power to the connected equipment.

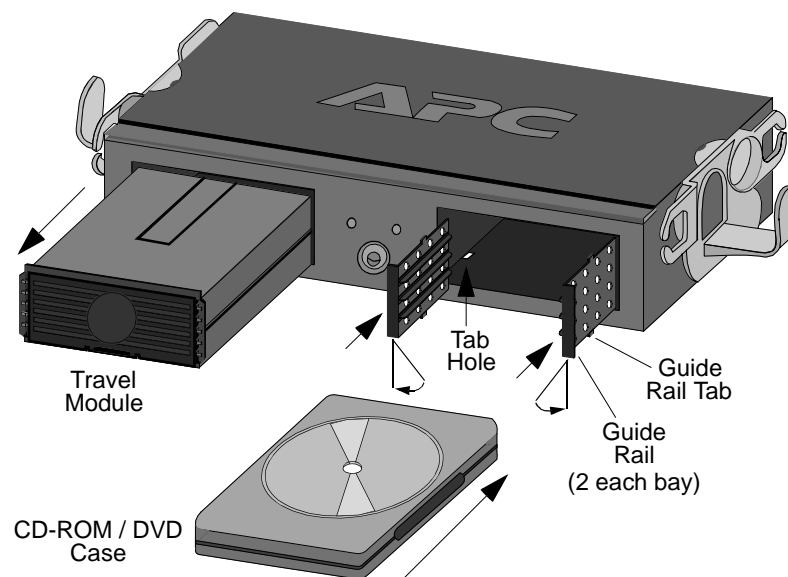


To store games outside of the case – Push the numbered tray release tab to the side to eject a disk tray. Note: There is only one numbered tab associated with each tray. With the tray open, place a game CD or DVD directly on the tray face. Push the tray back in until it snaps into place. The Game Manager can safely store up to 20 games outside of their original case.

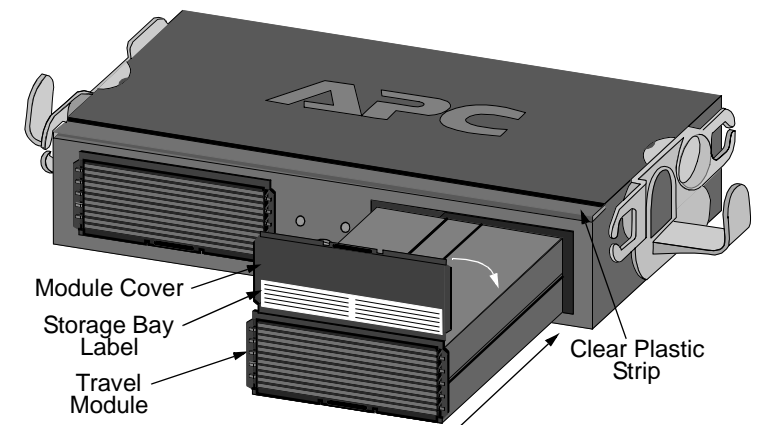
To store up to four memory cards – Push tab #11 to the side to eject the memory card storage tray. With the tray open, insert a memory card into a slot. **Note:** Not all memory cards are the same thickness. In some cases, the CD-ROM/DVD tray located above the memory card tray must be removed in order to store the thicker memory cards.



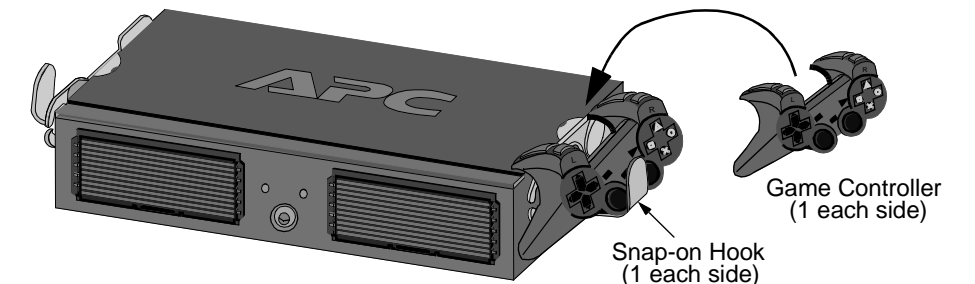
To store games in their original case – The travel modules can be removed to accommodate the storage of up to eight games in their original cases. To remove each travel module, pull on the exposed edges on the side of the module until it is removed. Install the supplied guide rails by angling each guide rail slightly outward; insert each rail until the rail tab aligns with the tab hole in the Game Manager bay. Straighten the guide rail until it snaps into place. This will form the slots to hold games kept in their original cases.



Optional Storage Bay Labels - Labels have been provided to clearly note where a particular game is located in the trays. The clear plastic strips on the top allow you to view the labels without opening storage trays. To use the labels, pull the travel module out of the Game Manager far enough to fold the module cover all the way back. Slide the travel module into the Game Manager and apply the label as shown. List the games on the numbered line that corresponds with the number on the tray release tab.

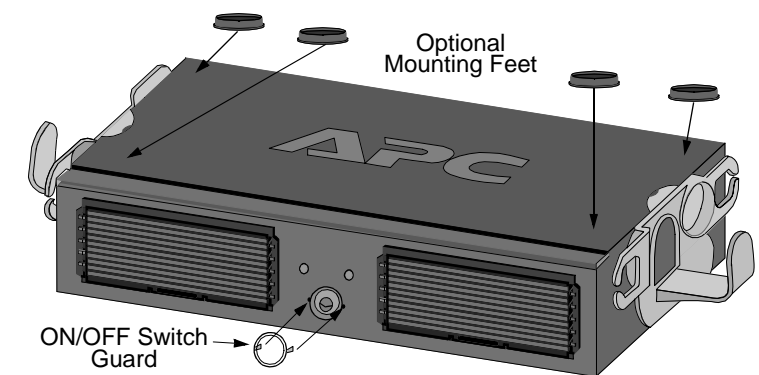


To store 2 controllers – Snap-on hooks provide storage for up to two controllers while keeping their cords from getting tangled. Attach the hooks to the sides of the Game Manager as shown, wrap controller cords around the hook chassis and position the controller in the hook.



ON/OFF Switch Guard – The Game Manager comes with a removable switch guard that helps to prevent accidental turn offs. To remove the switch guard, grasp the edge with your fingernail and pull straight back. To install the switch guard, position it so that the right mounting tab is inserted into the slot at the right edge of the On/Off switch. Place your finger through the hole in the center of the switch guard and insert the left mounting tab into the slot at the left edge of the On/Off switch.

Optional Mounting Feet – The Game Manager also comes with mounting feet which allow you to safely and securely place the game console directly on top of the Game Manager while maintaining adequate airflow to help keep the system cool. Peel off the backing on each piece and position onto top of unit as shown.



Technical Specifications

Nominal Operating Voltage	120Vac, 50-60 Hz
Operating Temperature	0° to 40° C (32° to 104° F)
Operating Relative Humidity	0 to 95%, non-condensing
Let-through Voltage Rating	<330V
Safety Approval	UL1449 Second Edition, CSA

USA/Canada	1.800.800.4272
Mexico	292.0253 / 292.0255
Worldwide	1.401.789.5735
Internet	www.apc.com
Tech Support	http://www.apc.com/support

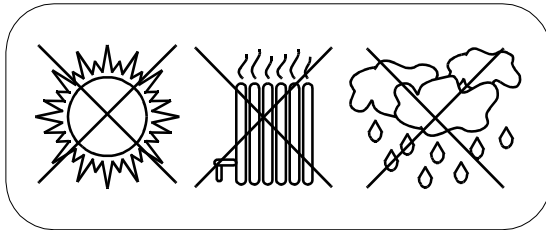
Please note: The Warranty and Equipment Protection Policy are contained on a separate page.

Thank you for purchasing APC's Game Manager!

Please read and retain this manual as it provides information on safety, installation, use, storage, product warranty and more.

Safety

- Do not install this device during a lightning storm.
- For indoor use only.
- Do not install or store this product in a hot or excessively moist location.

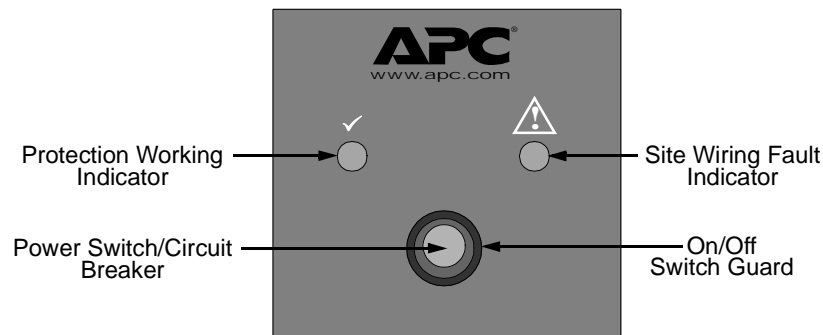


Indicators and Switches

Protection Working – When the power switch is turned **ON**, the green Protection Working indicator illuminates to show the surge protector is protecting connected equipment from harmful electrical surges. The equipment is protected even when the Game Manager's power switch is turned **OFF**. If the Protection Working indicator does not illuminate when the power switch is turned **ON**, the unit has sustained damage and is no longer capable of protecting the connected equipment. The Game Manager should be returned according to the instructions provided (see *Limited Warranty*).

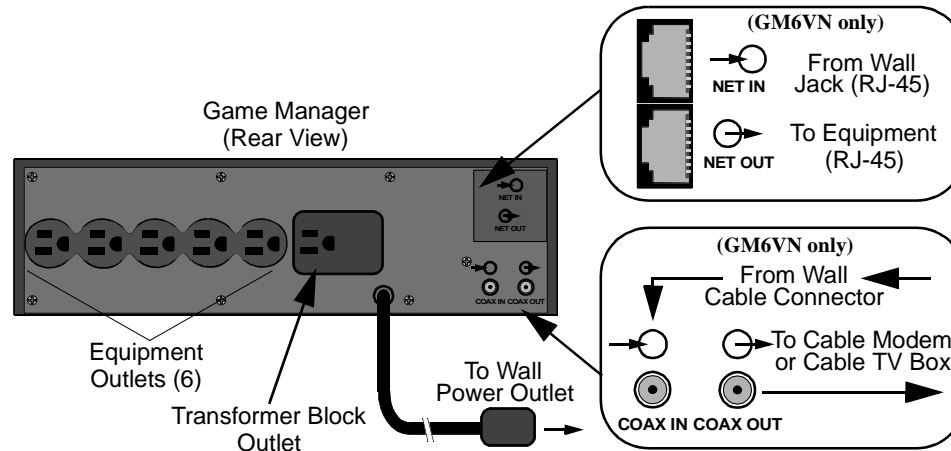
Site Wiring Fault – This red indicator, when lit, shows that the building wiring presents a potential shock hazard. If this indicator is lit, contact a qualified electrician to correct the building wiring.

Power Switch/Circuit Breaker – The front panel combination **Power** switch/circuit breaker applies power to the surge protector receptacles and acts as a circuit breaker to protect against overload conditions. If the circuit breaker has tripped due to an overload, unplug one or more pieces of equipment and reset the circuit breaker by turning the switch **OFF** and then back **ON**.



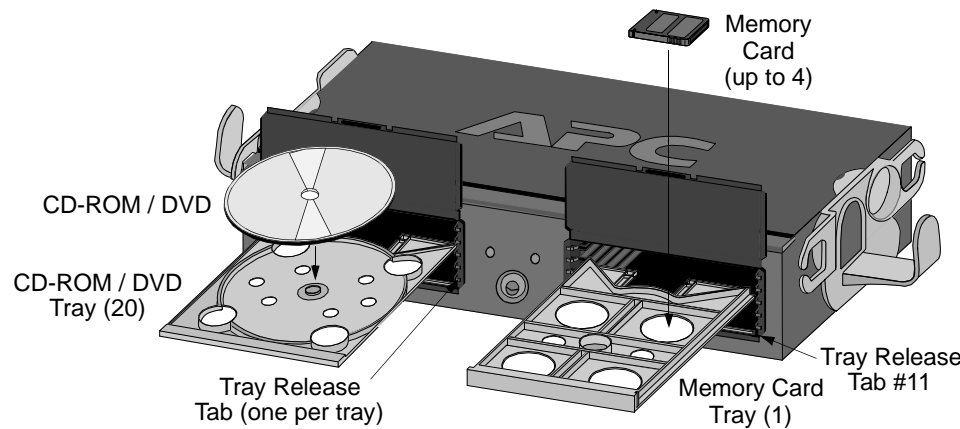
Connecting equipment to the surge protected outlets:

1. Place the Game Manager **Power** switch to the **OFF** position.
2. Plug the Game Manager power cord into a 3-prong, grounded outlet only.
3. Ensure power switches for equipment to be plugged into the Game Manager are in the OFF position. Plug the power cord from the game console, TV, and other devices into the outlets on the back of the Game Manager (a separate outlet is provided for one device that uses a transformer block plug).
4. Connect cables to Online Gaming Protection jacks (**GM6VN only**):
 - a. If protecting a Cable Modem, Cable TV box, or gaming equipment that requires a coaxial cable connection, connect the coaxial cable from the cable wall jack to the Game Manager jack marked **COAX IN**. Using the supplied coaxial cable, connect from the Game Manager jack marked **COAX OUT** to the Cable Modem, Cable TV box, or gaming console.
 - b. If using a Local Area Network (LAN) 10-BaseT or 100-BaseT cable to access the Internet or other network, connect the cable from the wall jack to the Game Manager RJ-45 jack marked **NET IN**. Using the supplied network cable, connect from the Game Manager RJ-45 jack marked **NET OUT** to the equipment.
5. Turn **ON** the **Power** switch to supply power to the connected equipment.

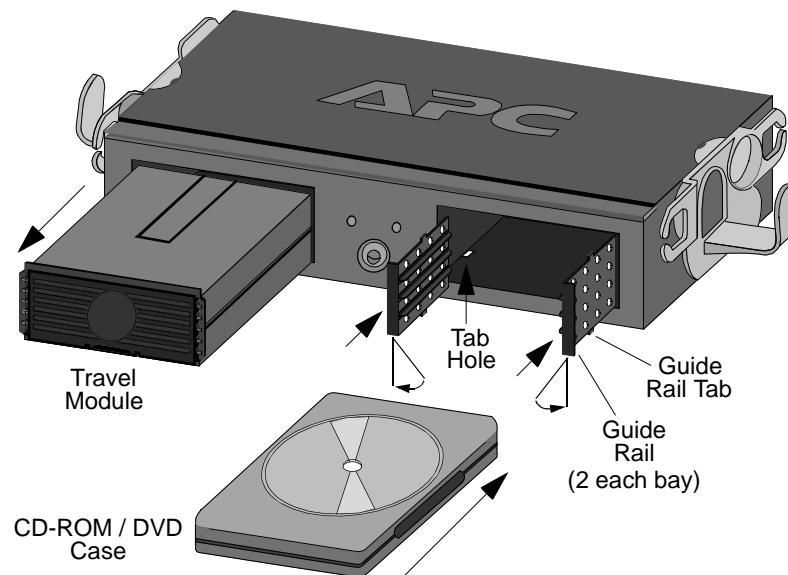


To store games outside of the case – Push the numbered tray release tab to the side to eject a disk tray. Note: There is only one numbered tab associated with each tray. With the tray open, place a game CD or DVD directly on the tray face. Push the tray back in until it snaps into place. The Game Manager can safely store up to 20 games outside of their original case.

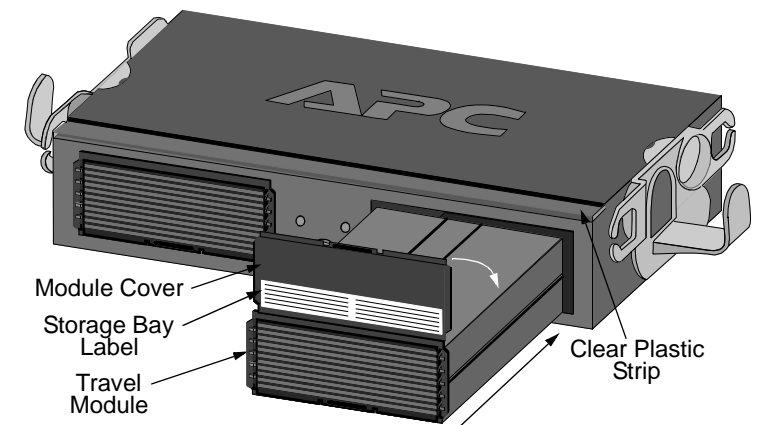
To store up to four memory cards – Push tab #11 to the side to eject the memory card storage tray. With the tray open, insert a memory card into a slot. **Note:** Not all memory cards are the same thickness. In some cases, the CD-ROM/DVD tray located above the memory card tray must be removed in order to store the thicker memory cards.



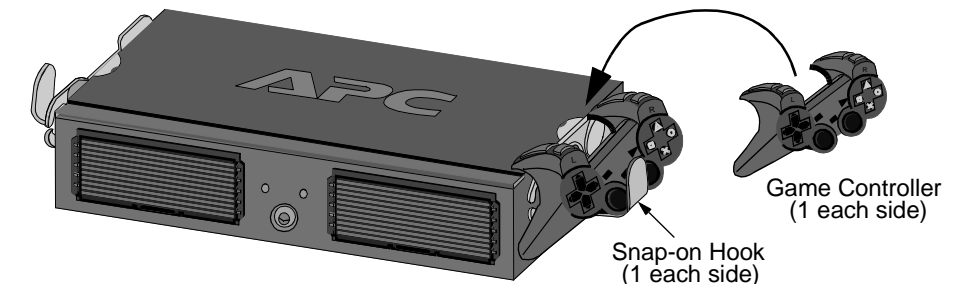
To store games in their original case – The travel modules can be removed to accommodate the storage of up to eight games in their original cases. To remove each travel module, pull on the exposed edges on the side of the module until it is removed. Install the supplied guide rails by angling each guide rail slightly outward; insert each rail until the rail tab aligns with the tab hole in the Game Manager bay. Straighten the guide rail until it snaps into place. This will form the slots to hold games kept in their original cases.



Optional Storage Bay Labels - Labels have been provided to clearly note where a particular game is located in the trays. The clear plastic strips on the top allow you to view the labels without opening storage trays. To use the labels, pull the travel module out of the Game Manager far enough to fold the module cover all the way back. Slide the travel module into the Game Manager and apply the label as shown. List the games on the numbered line that corresponds with the number on the tray release tab.

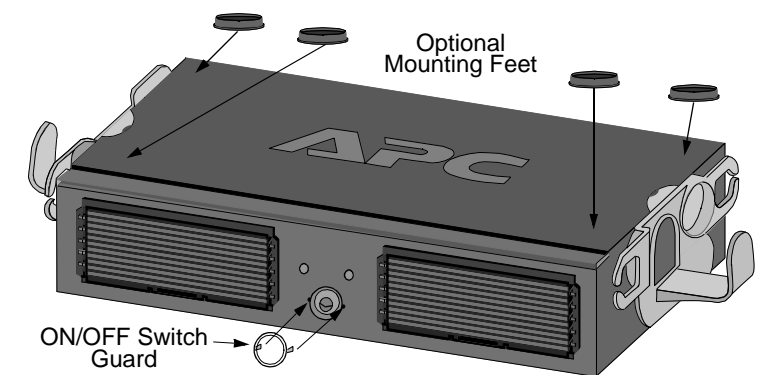


To store 2 controllers – Snap-on hooks provide storage for up to two controllers while keeping their cords from getting tangled. Attach the hooks to the sides of the Game Manager as shown, wrap controller cords around the hook chassis and position the controller in the hook.



ON/OFF Switch Guard – The Game Manager comes with a removable switch guard that helps to prevent accidental turn offs. To remove the switch guard, grasp the edge with your fingernail and pull straight back. To install the switch guard, position it so that the right mounting tab is inserted into the slot at the right edge of the **On/Off** switch. Place your finger through the hole in the center of the switch guard and insert the left mounting tab into the slot at the left edge of the **On/Off** switch.

Optional Mounting Feet – The Game Manager also comes with mounting feet which allow you to safely and securely place the game console directly on top of the Game Manager while maintaining adequate airflow to help keep the system cool. Peel off the backing on each piece and position onto top of unit as shown.



Technical Specifications

Nominal Operating Voltage	120Vac, 50-60 Hz
Operating Temperature	0° to 40° C (32° to 104° F)
Operating Relative Humidity	0 to 95%, non-condensing
Let-through Voltage Rating	<330V
Safety Approval	UL1449 Second Edition, CSA

USA/Canada	1.800.800.4272
Mexico	292.0253 / 292.0255
Worldwide	1.401.789.5735
Internet	www.apc.com
Tech Support	http://www.apc.com/support

Please note: The Warranty and Equipment Protection Policy are contained on a separate page.