

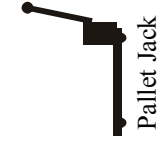
Product Specifications

Packing Status	Weight Range	Dimensions
Rack with Packaging	185 to 1050 lb (84 to 476 kg)	26 x 37 x 84 in (66 x 94 x 213 cm)
Rack Unpacked	150 to 1000 lb (68 to 454 kg)	21 x 33 x 79 in (53 x 84 x 201 cm)

Safety Information



Do not attempt to move the rack without assistance. Always use proper lifting techniques and equipment when handling the rack. Use the recommended equipment for unloading the rack from the pallet.



Pallet Jack



Forklift



The rack is heavy. Use extreme caution when unloading the rack from the pallet.

Push the rack from the front or the back when moving it on the casters.

Inspect Shipment

Inspection Exterior of Package

Inspect the exterior of the shipment immediately upon receipt. Before unpacking the shipment, verify that the labeled boxes match the bill of lading.

Report Shipping Damage

If shipping damage has occurred, contact APC Customer Support at the number listed on the yellow label on the front of the rack or on the inside back cover of the rack InfraStruXure System Start-Up Guide.

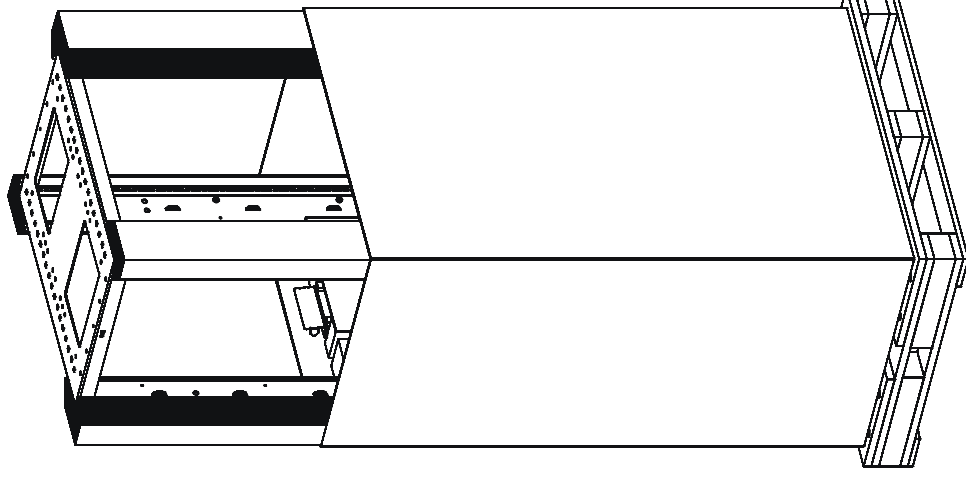
Inspect Unpacked System

Once the rack has been unpacked, inspect it for visible signs of shipping damage.

Entire contents copyright 2006 American Power Conversion Corporation. All rights reserved. Reproduction in whole or in part without permission is prohibited. APC, the APC logo, Smart-UPS, Symmetra, NetShelter, and PowerChute are trademarks of American Power Conversion Corporation. All other trademarks, product names, and corporate names are the property of their respective owners.



NetShelter[®] Two/Four Post Rack InfraStruXure System Guide for Receiving, Unpacking, and Moving



Save these instructions. This guide contains important information for receiving, unpacking and moving the rack.

990-2953A



03/2007

How to Unpack the Rack



The shipping materials are recyclable. Save them for later use, or dispose of them appropriately.

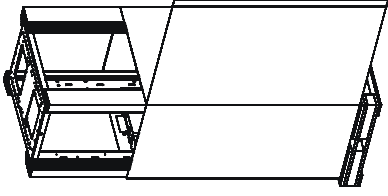
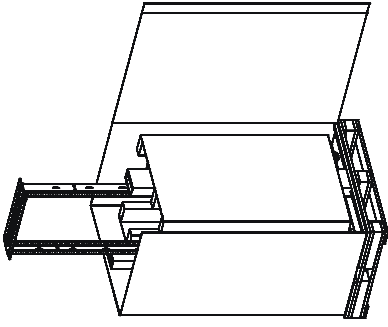


Leaving the rack and any installed equipment uncovered and exposed to the elements will damage the rack and void the factory warranty.



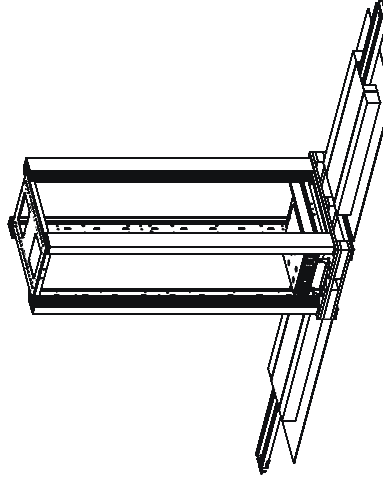
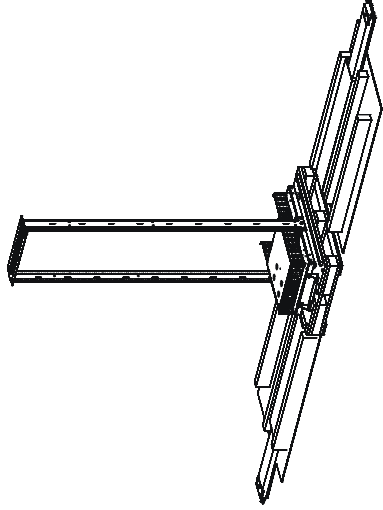
When possible, leave the rack on the pallet until you are ready to place it in its final location. Use caution when using a utility knife to cut the plastic wrap. Make cuts to the plastic wrap only where the plastic wrap is in direct contact with the cardboard packaging.

1. Move the shipping pallet to a firm, level surface in an open area.
2. Remove the plastic wrap.
3. Remove the cardboard cap where applicable, and remove the cardboard sleeve that surrounds the rack.



4. Remove the unloading ramps and the remaining packaging, see instructions below:

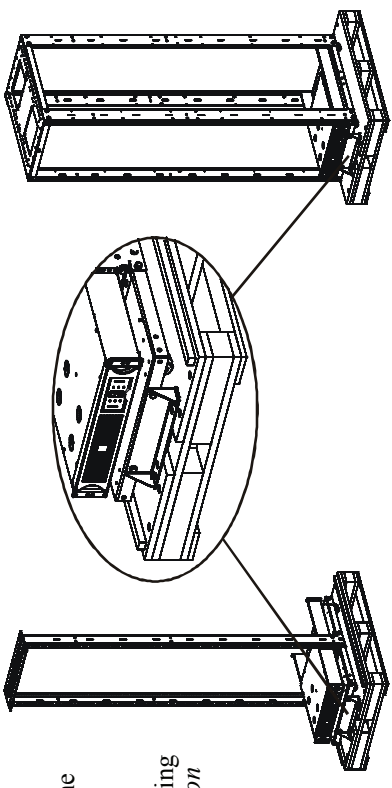
- The ramps are encased in foam padding attached to cardboard sheets. Lay the cardboard sheets with the foam padding on the floor and pull the ramps out.
- Remove the remaining packaging.



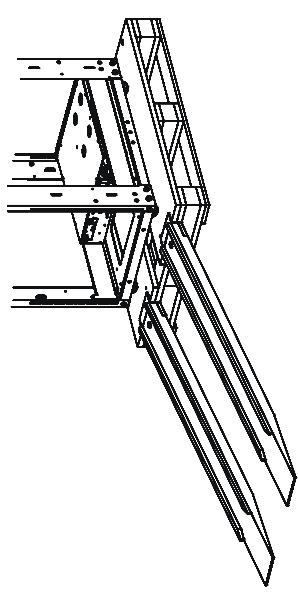
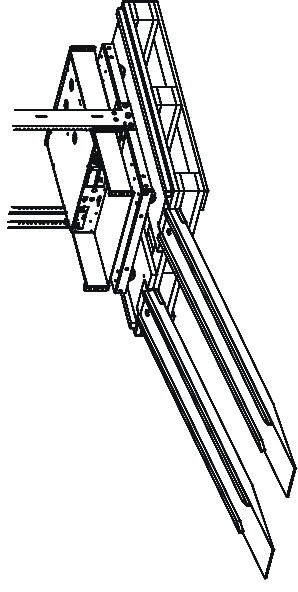
5. Remove the two pallet-mounting brackets that anchor the rack to the shipping pallet in front and in back.



Save the pallet-mounting brackets for use in bolting the rack to the floor. Refer to *Physical Installation* in the InfraStruXure System Start-Up Guide.



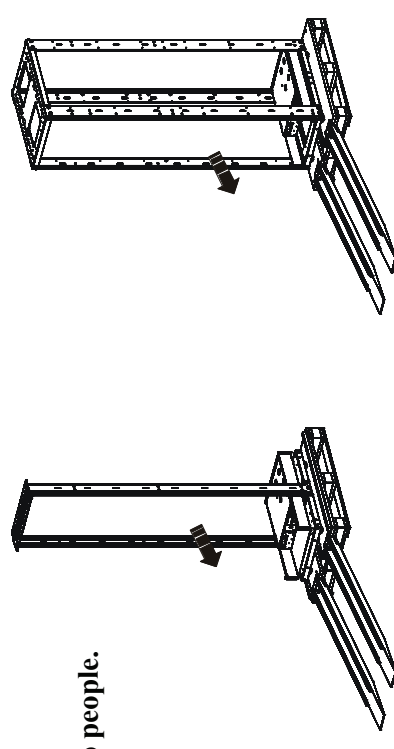
6. Attach each ramp to the pallet by placing the attachment tabs on the ramps into the tab holes on the back of the pallet.



Your system may differ in appearance from the systems depicted in the diagrams.

7. Carefully roll the rack down the ramps.

Moving the rack requires two people.



Save the pallet, ramps, and packing material if the rack is to be shipped to another location.