
InfraStruXure[®] InRow RC Seismic Installation Guide

Robinson
Meier
Juilly & Associates

Principals
Peter Robinson, S.E.
Jayson E. Haines, S.E.

APC

ACRC100
ACRC101
ACRC103

Structural Calculations For Seismic Anchorage

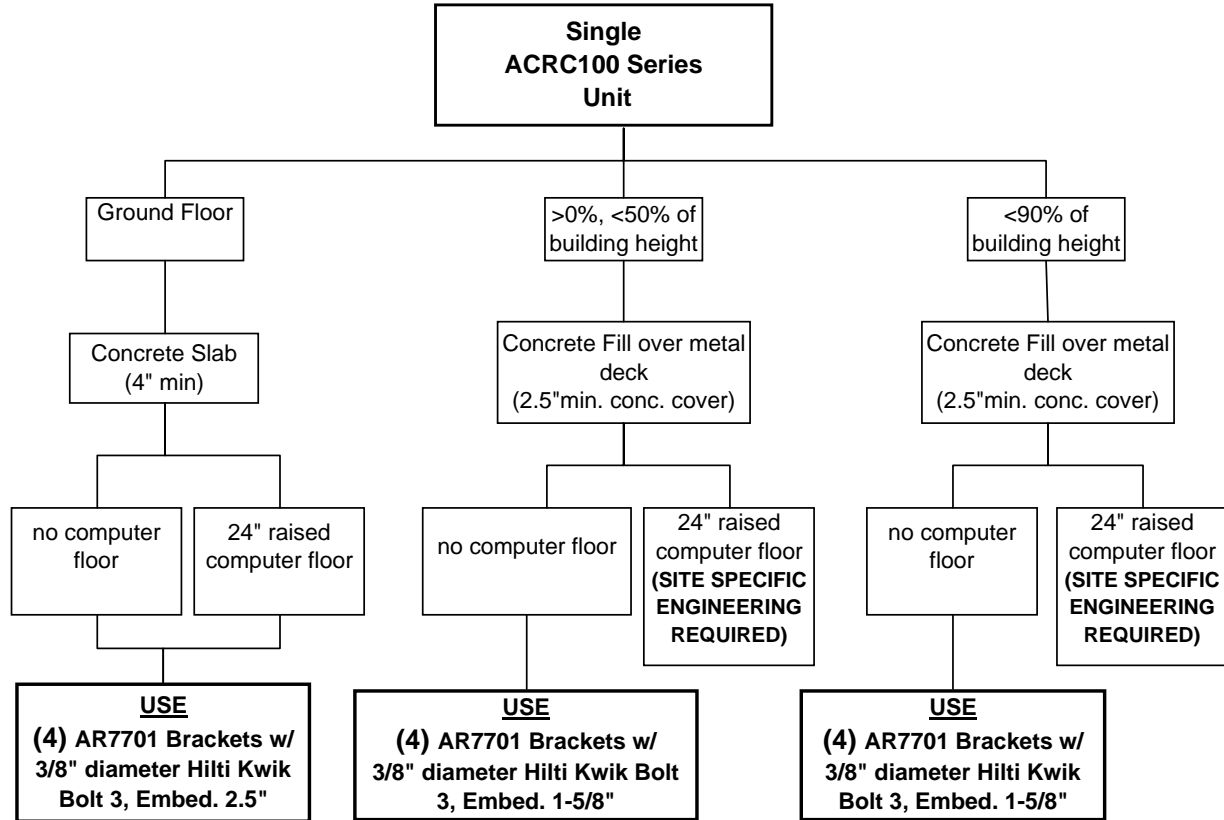
Prepared for:
APC Corp.

July 17, 2006
RMJ Job No. 06262

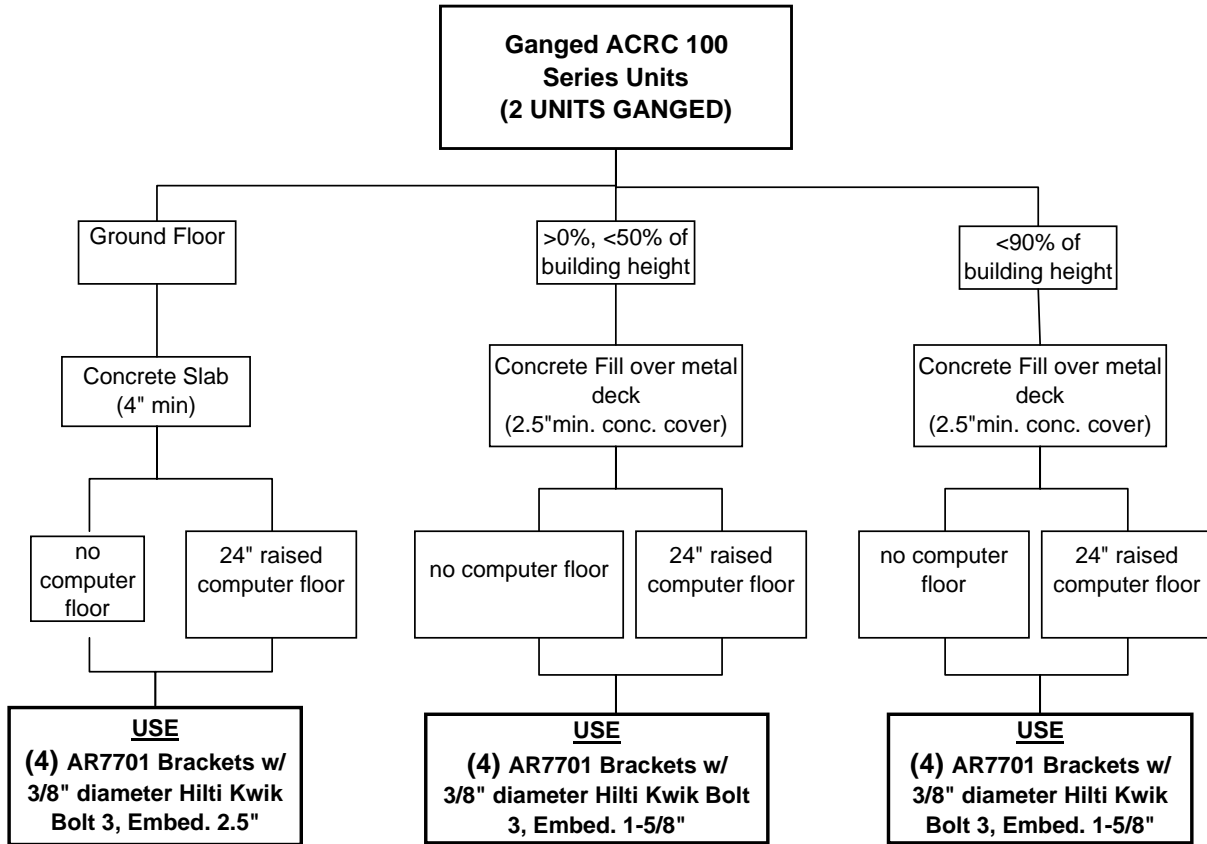
103 Linden Avenue
So. San Francisco, CA 94080
(650) 871-2282 FAX (650) 871-2459



Summary: ACR100 - Zone 4 (CALIFORNIA)



Summary: ACR100 - Zone 4 (CALIFORNIA)

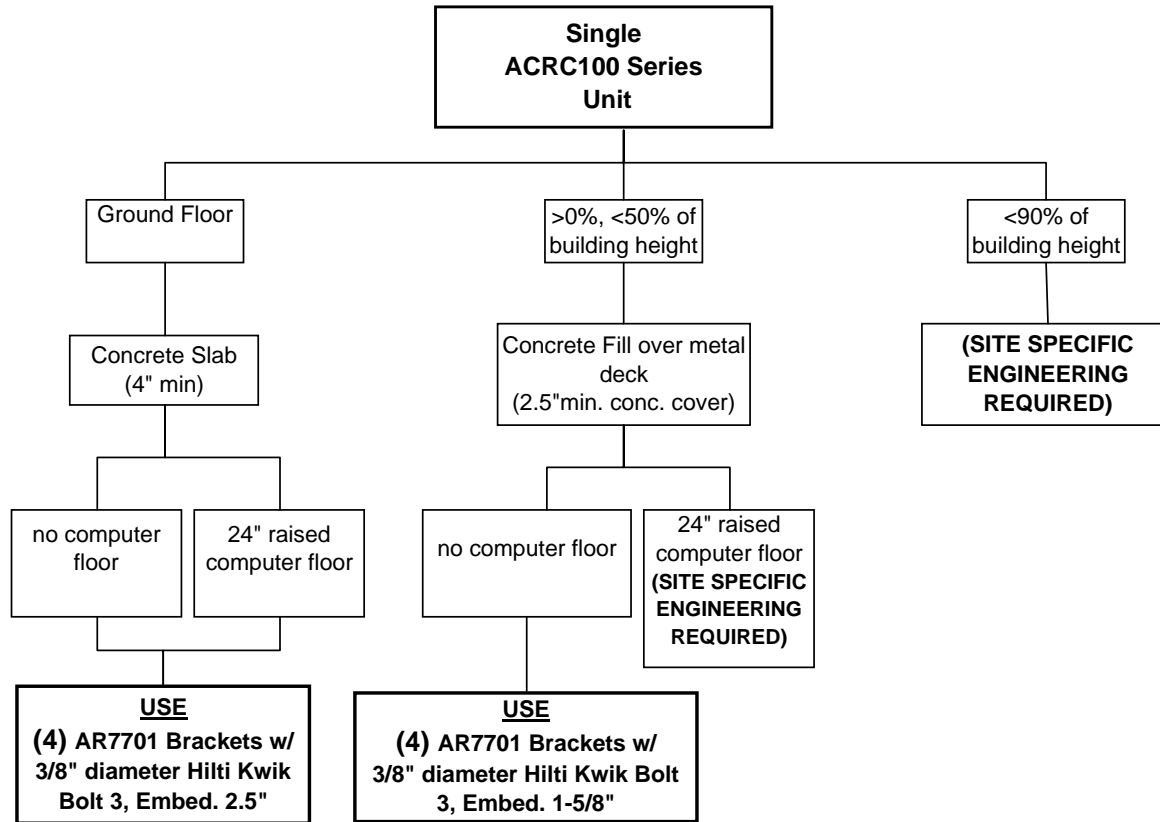




103 Linden Avenue
South San Francisco, CA 94080
(650) 871-2282 Fax 871-2459

APC ACRC 100 Series Units (100,101,103)
Zone 4 Anchorage (Essential Facilities California)
Job No. 06262 Date: 7/17/2006
By: AM Page: 4

Summary: ACR100 - Zone 4, Essential Facilities (CALIFORNIA)

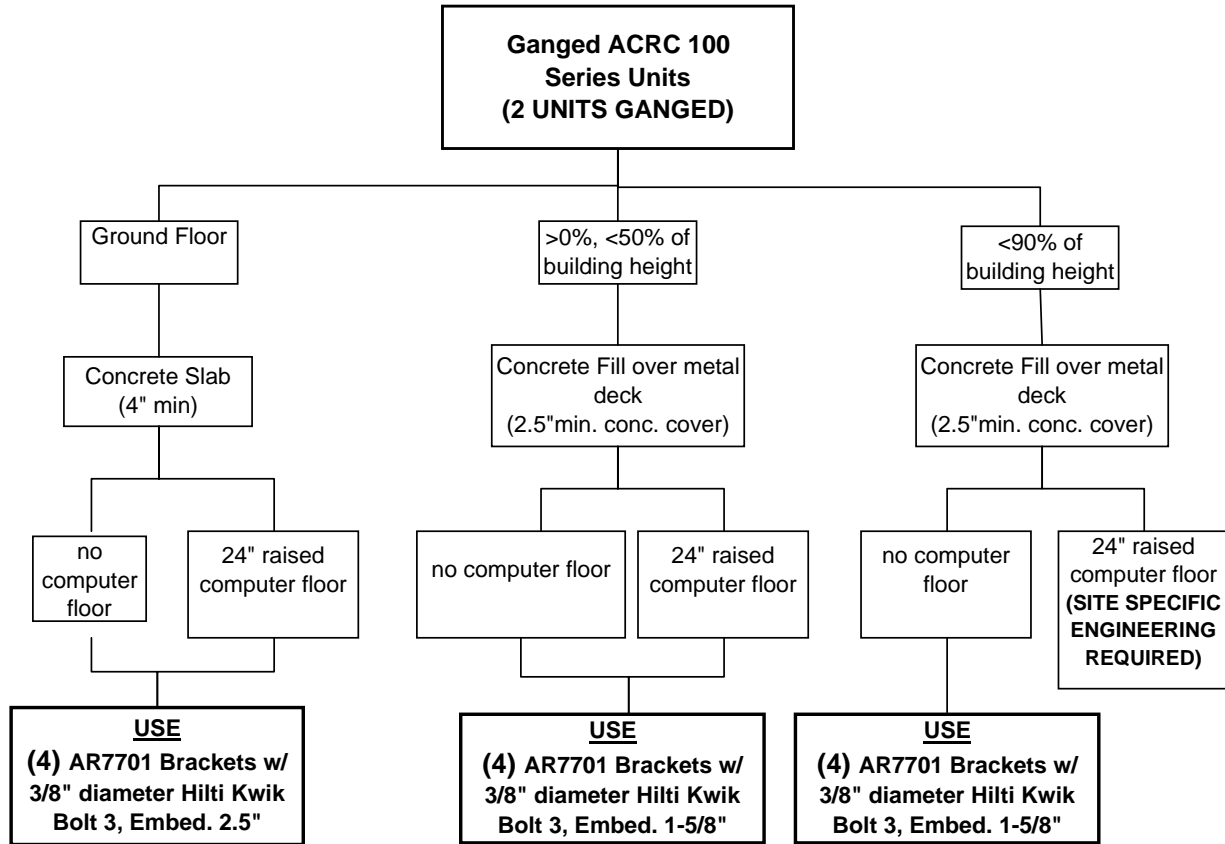




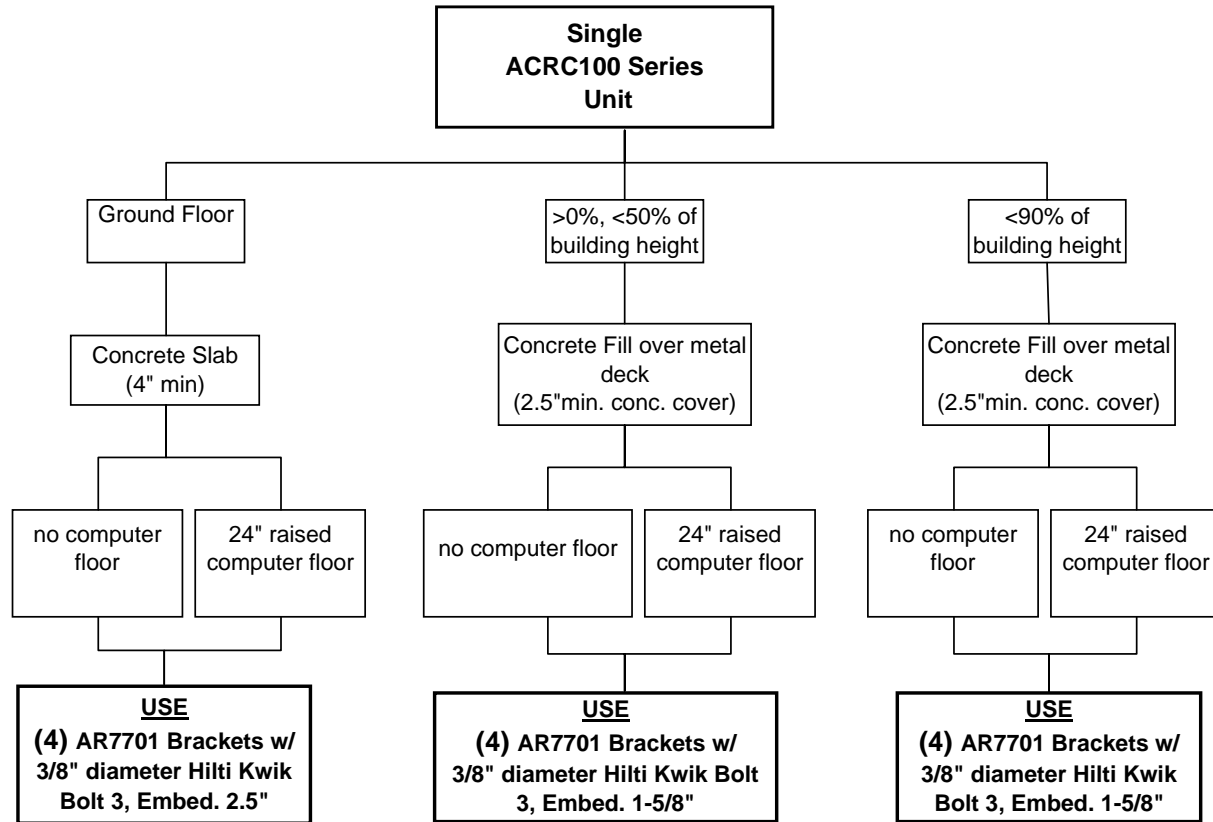
103 Linden Avenue
South San Francisco, CA 94080
(650) 871-2282 Fax 871-2459

APC ACRC 100 Series Units (100,101,103)
Zone 4 Anchorage (Essential Facilities California)
Job No. 06262 Date: 7/17/2006
By: AM Page: 5

Summary: ACR100 - Zone 4, Essential Facilities (CALIFORNIA)



Summary: ACR100 - Zone 0-3 (NON-CALIFORNIA)



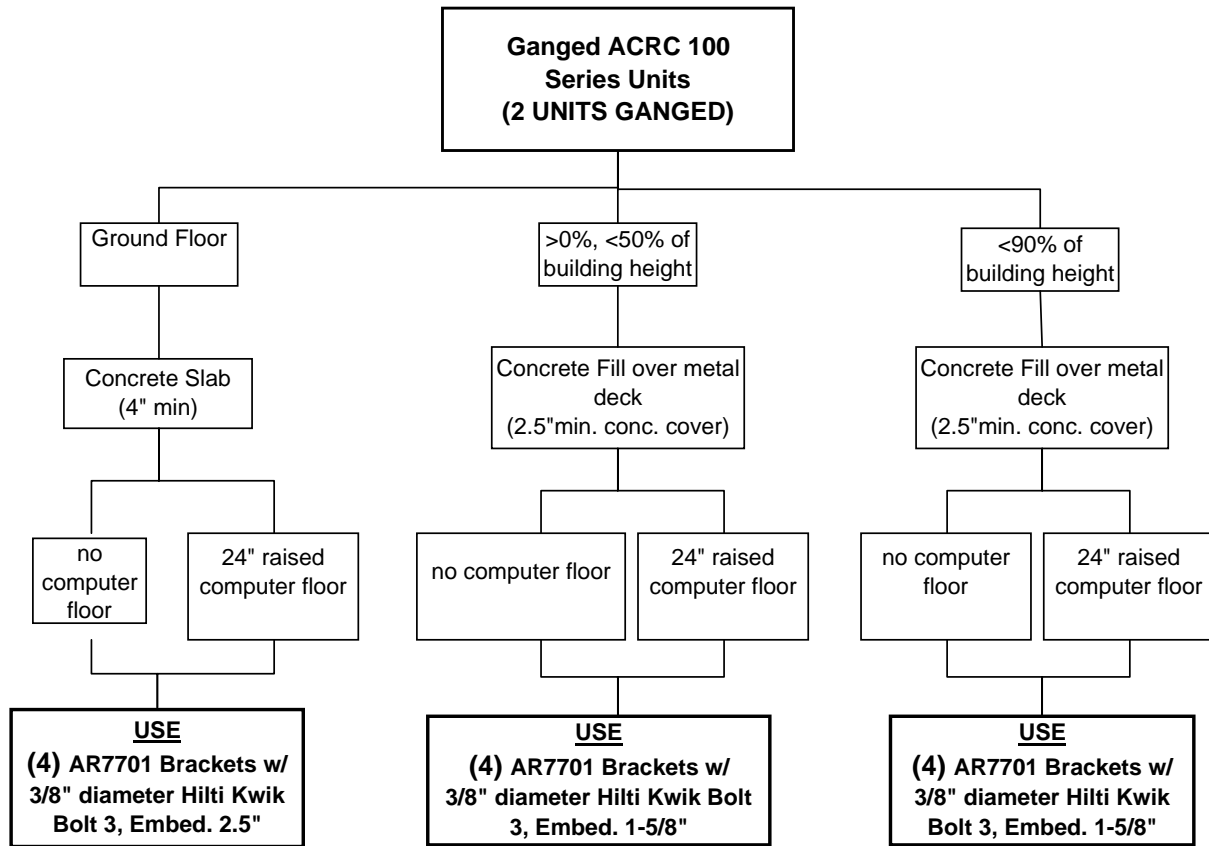


103 Linden Avenue
South San Francisco, CA 94080
(650) 871-2282 Fax 871-2459

APC ACRC 100 Series Units (100,101,103)
Zone 0-3 Anchorage (Non-California)

Job No. 06262 Date: 7/17/2006
By: AM Page: 7

Summary: ACR100 - Zone 0-3 (NON-CALIFORNIA)

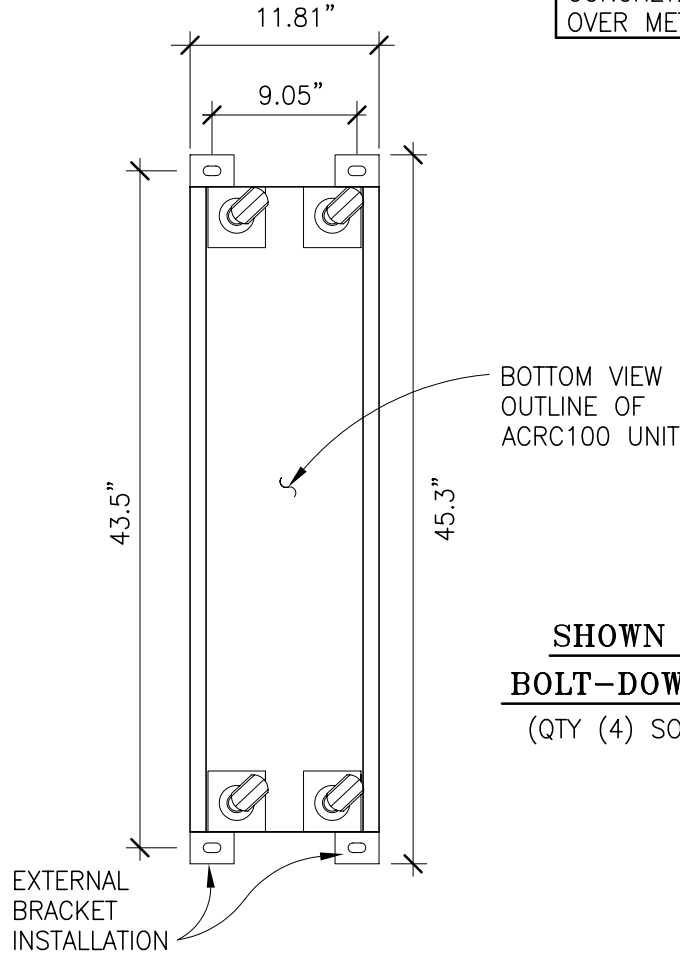


NOTES:

- *SEE SUMMARY SHEET AND CONDITION SCHEDULE FOR BOLTING AND BRACKET REQUIREMENTS.
- *POSITION BOLTS IN OUTER OR UPPER HALF OF SLOTTED BOLT HOLES WHERE APPLICABLE

CONDITION SCHEDULE


CONDITION	SEE
CONCRETE SLAB	(SK2)
CONCRETE FILL OVER METAL DECK	(SK3)
CONCRETE FILL OVER METAL DECK	(SK4)

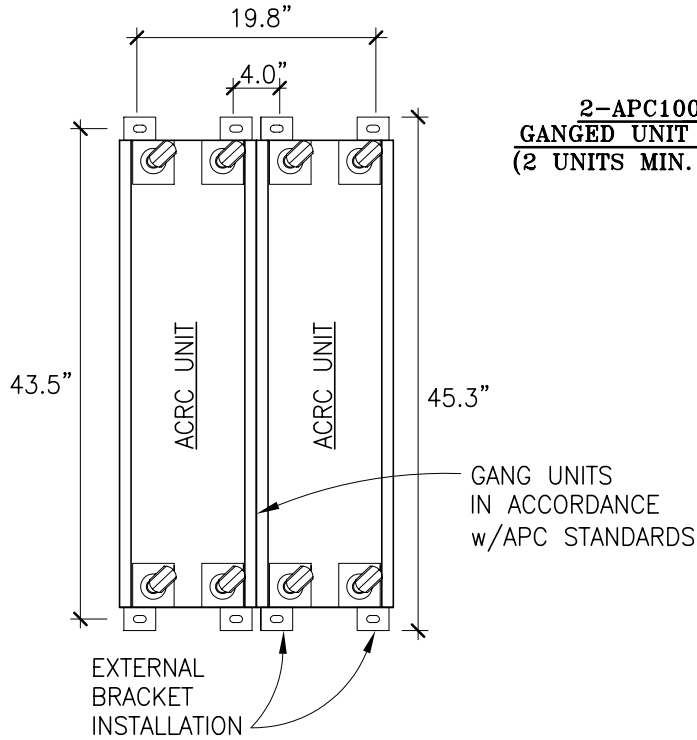


SHOWN w/AR7701
BOLT-DOWN BRACKETS
 (QTY (4) SOLD SEPARATELY)

SINGLE UNIT BOTTOM PLAN VIEW

(FOR EXACT UNIT DIMENSIONS SEE APC TECHNICAL INFORMATION)

 Robinson Meier Jullily & Associates 103 Linden Avenue So. San Francisco, CA 94080 650 871-2282 Fax: 871-2459	APC UNIT ANCHORAGE	Job No. 06262
	ACRC100 InRow RC Chilled Water	Sheet No. (SK1)
	Signed by A.M. Date 7/2006	

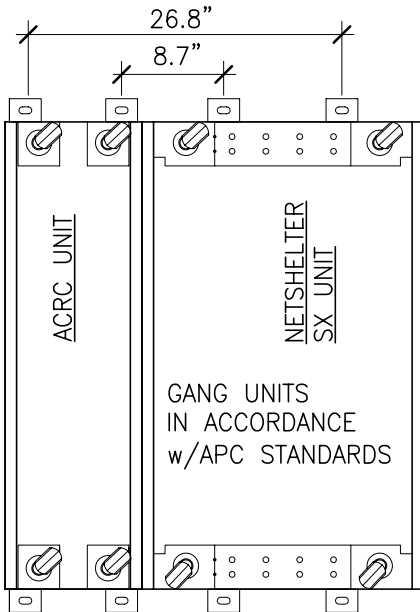


**2-APC100 SERIES UNITS
GANGED UNIT BOTTOM PLAN VIEW
(2 UNITS MIN. GANGED TOGETHER)**

CONDITION SCHEDULE

CONDITION	SEE
CONCRETE SLAB	(SK3)
CONCRETE FILL OVER METAL DECK	(SK4)
COMP. FLOOR SYSTEM	(SK5)

**SHOWN w/AR7701
BOLT-DOWN BRACKETS**
(4 BRACKETS INCL w/EA. UNIT, 8 BRACKETS SHOWN)



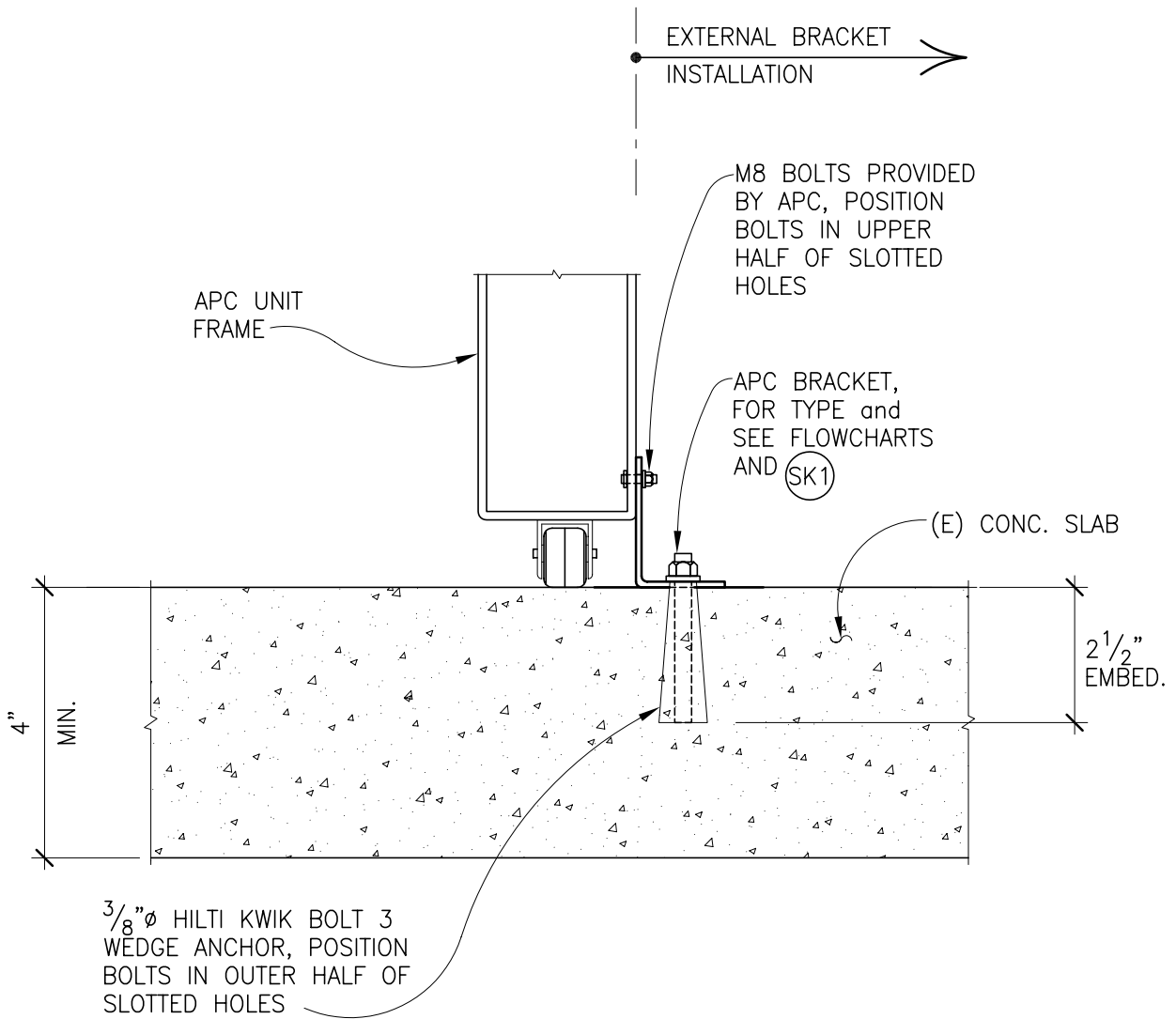
**APC100 SERIES UNITS & NETSHELTER SX RACK
GANGED UNIT BOTTOM PLAN VIEW
(2 UNITS MIN. GANGED TOGETHER)**

*FOR INFORMATION NOT SHOWN and ADDITIONAL NOTES REGARDING UNIT INSTALLATION, SEE (SK1)

*PLEASE SEE APC FOR INSTALLATION REQUIREMENTS OF NETSHELTER SX RACK


RMJ
Robinson Meier Jullily & Associates
Structural Engineers
103 Linden Avenue
So. San Francisco, CA 94080
650 871-2282 Fax: 871-2459

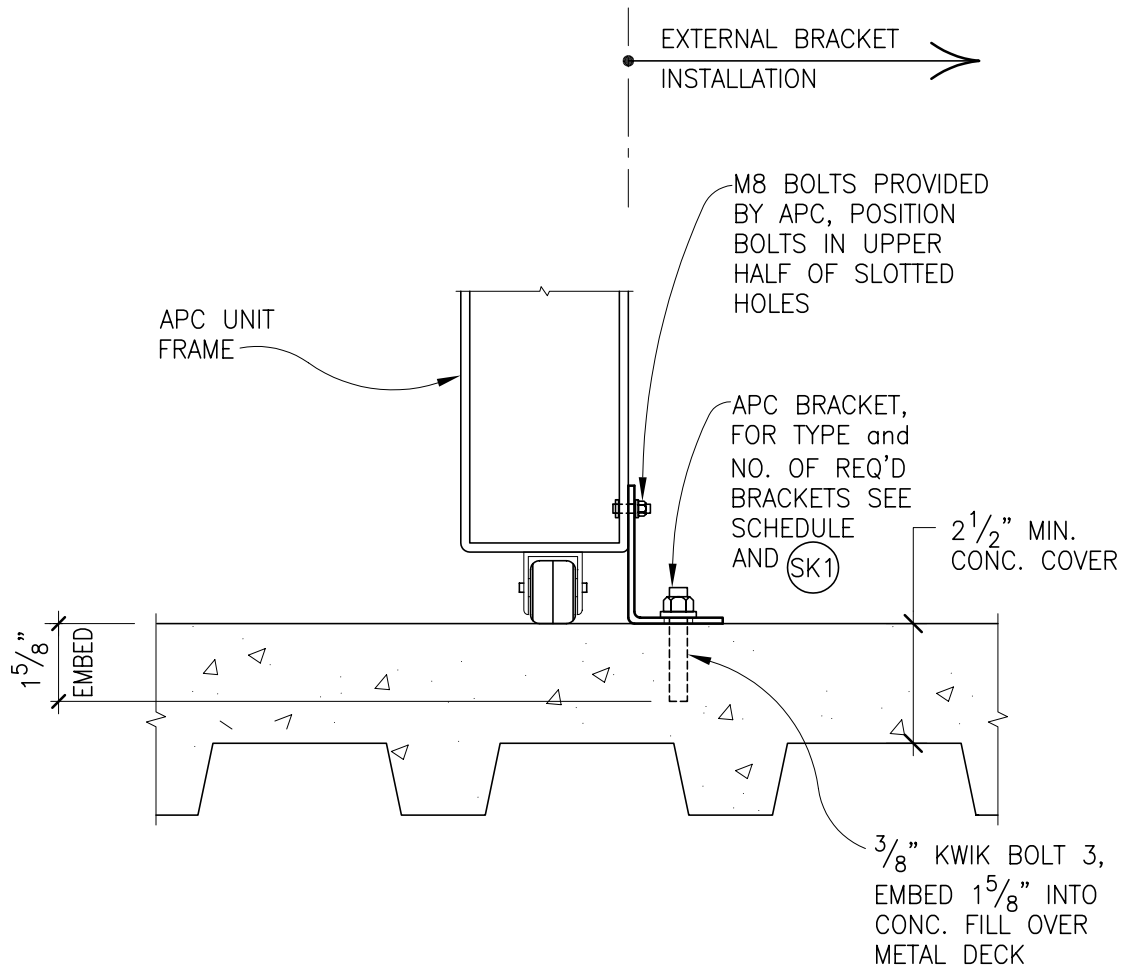
APC UNIT ANCHORAGE		Job No. 06262
ACRC100 InRow RC Chilled Water		Sheet No. (SK2)
Signed by	A.M.	Date 7/2006



CONCRETE SLAB
INSTALLATION

DETAIL
3" = 1'-0"

 Robinson Meier Juilly & Associates 103 Linden Avenue So. San Francisco, CA 94080 650 871-2282 Fax: 871-2459	APC UNIT ANCHORAGE	Job No. 06262
	ACRC100 InRow RC Chilled Water	Sheet No. (SK3)
	Signed by A.M. Date 7/2006	

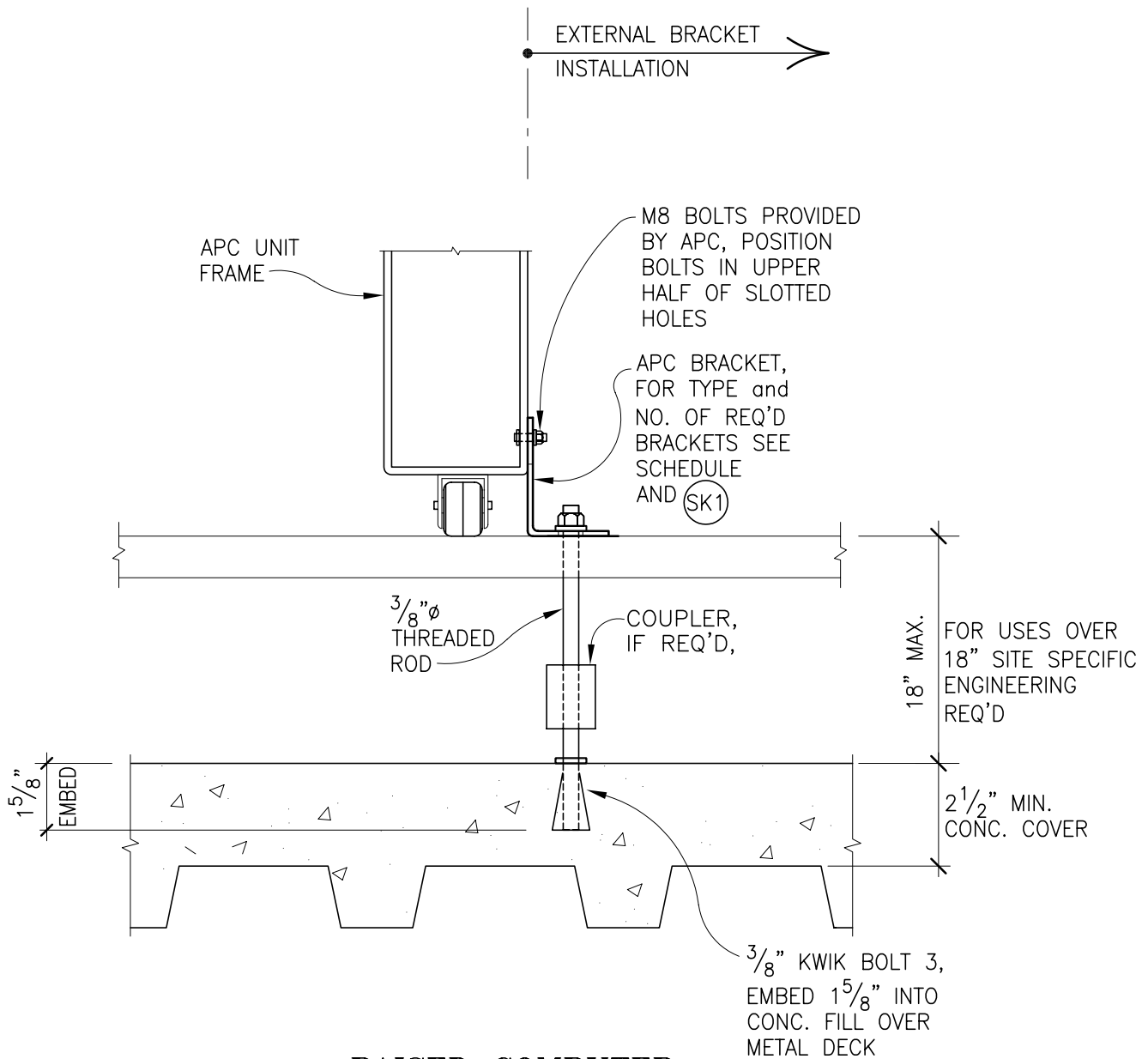


CONCRETE FILL
OVER METAL DECK
INSTALLATION

DETAIL

3" = 1'-0"

<div style="font-size: 2em; font-weight: bold; margin-bottom: 10px;">RMJ</div> <p>Robinson Meier Jully & Associates</p> <p>Structural Engineers 103 Linden Avenue So. San Francisco, CA 94080 650 871-2282 Fax: 871-2459</p>	APC UNIT ANCHORAGE	Job No. 06262
	ACRC100 InRow RC Chilled Water	Sheet No. (SK4)
	Signed by A.M. Date 7/2006	



**RAISED COMPUTER
FLOOR INSTALLATION**

DETAIL

3" = 1'-0"

NOTE: FOR RAISED
COMPUTER FLOORS
OVER CONCRETE
SLAB CONDITION,
SEE (SK2) SIM.

<p>Robinson Meier Jully & Associates</p> <p>103 Linden Avenue So. San Francisco, CA 94080 650 871-2282 Fax: 871-2459</p>	<p>APC UNIT ANCHORAGE</p>	<p>Job No. 06262</p>
	<p>ACRC100 InRow RC Chilled Water</p>	<p>Sheet No. (SK5)</p>
	<p>Signed by A.M. Date 7/2006</p>	