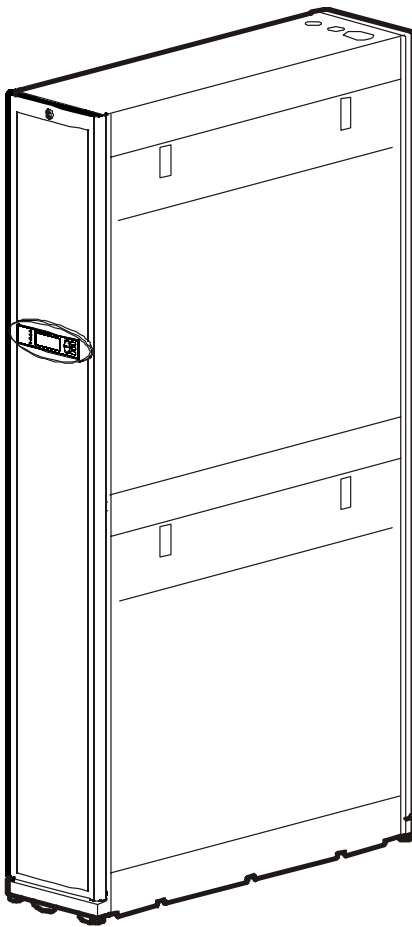


InfraStruXure[®] InRow RC

Guide for Receiving, Unpacking, and Moving



Save these instructions. This guide contains important information for receiving, unpacking, and moving your equipment to its final location.



Safety Information



Do not attempt to move the equipment without the assistance of at least one other person.



Use extreme caution to prevent tipping when unpacking or moving the equipment to its final location. Push the equipment only from the front or rear, never from the sides.

Moving the equipment

Pallet jack

Forklift



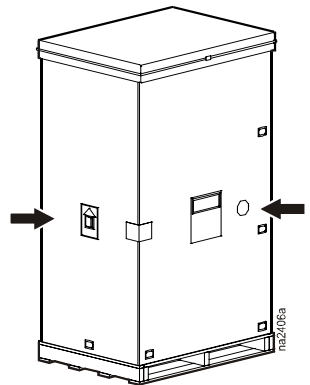
The equipment should be lifted only while still on its shipping pallet, and only from the sides of the pallet.

Receiving

Inspect the exterior packaging

Before unpacking the equipment, verify that the labeled container matches the bill of lading.

Locate the **shock indicator** and **tilt indicator** on the exterior of the container. See the information printed near each indicator for instructions on how to interpret it. Note on the bill of lading any evidence that an indicator has been activated.



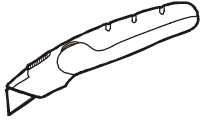
Inspect the equipment

Once you have unpacked the equipment, carefully inspect its exterior.

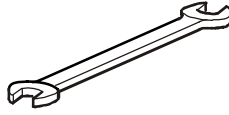


In case of shipping damage such as scratches or dents, see APC Worldwide Customer Support for contact information.

Tools Required



Utility knife



13-mm wrench

Unpacking



Caution

Leaving the equipment uncovered and exposed to possible damage from the environment will void the factory warranty.



The shipping materials are recyclable. Save them for later use, or dispose of them appropriately.

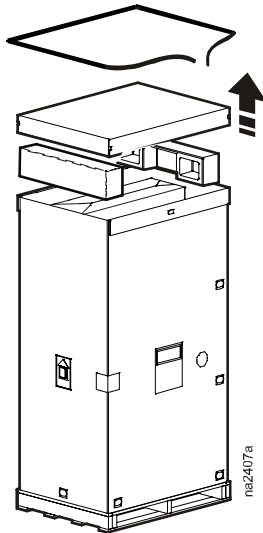


Note

Be careful when using a utility knife to cut the plastic wrap. Make cuts only where the plastic wrap is in direct contact with the cardboard packaging.

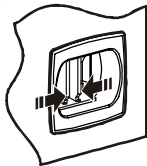
When possible, leave the equipment on the pallet until you are ready to move it to its final location.

1



2

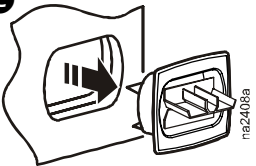
A



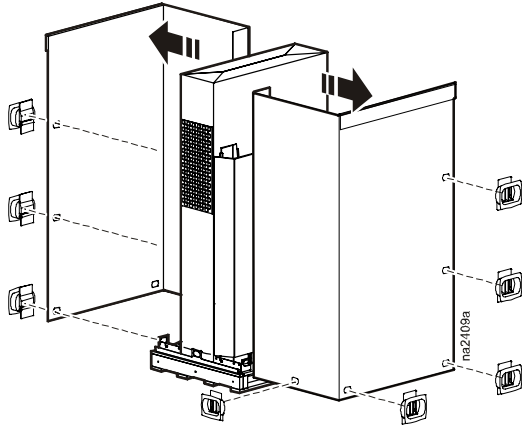
B



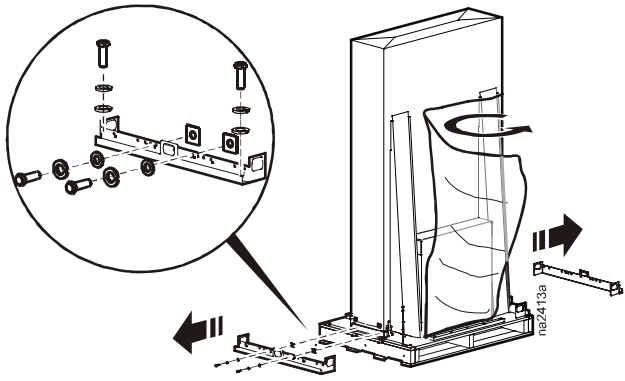
C



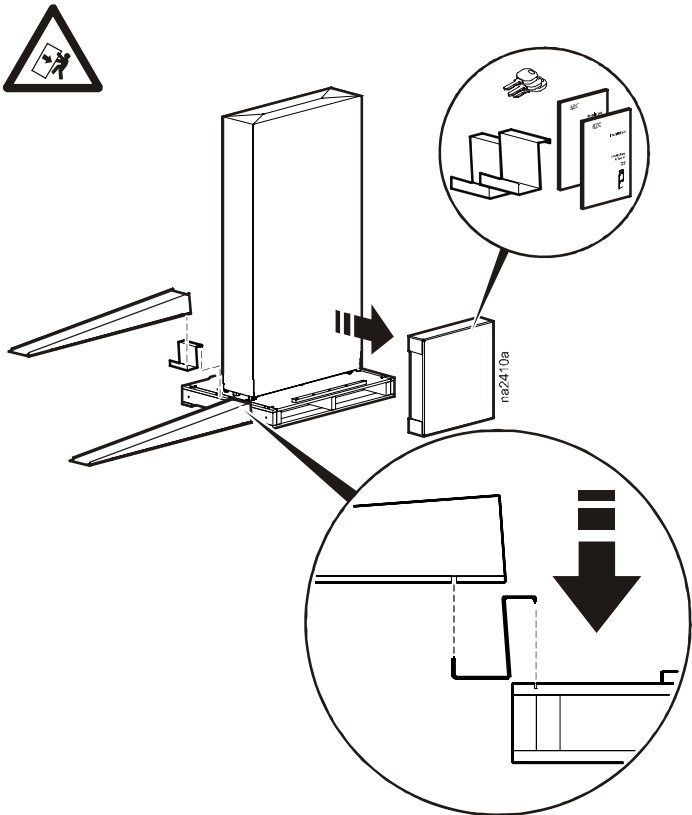
3



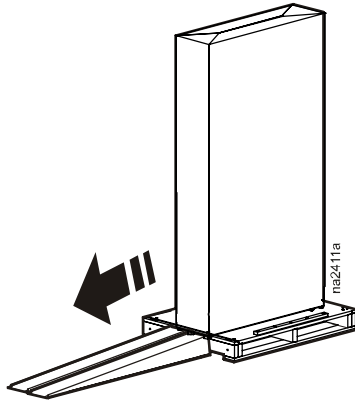
4



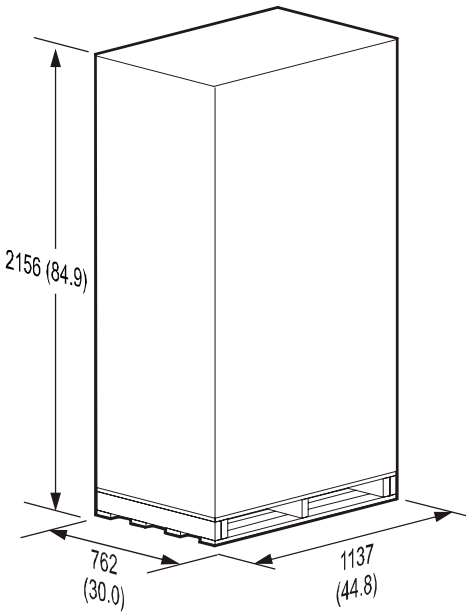
5



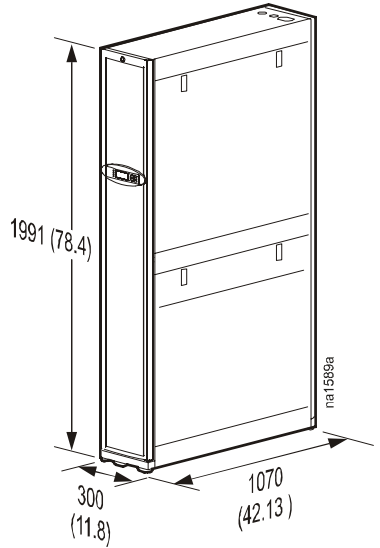
6



Dimensions and Weights



Packaged: 210.5 kg (464 lbs)



Unpackaged: 162.38 kg (358 lbs)

Dimensions are shown in millimeters, with inches in parentheses.

APC Worldwide Customer Support

Direct InfraStruXure Customer Support Line	(1)(877)537-0607 (toll free)
APC headquarters U.S., Canada	(1)(800)800-4272 (toll free)
Latin America	(1)(401)789-5735 (USA)
Europe, Middle East, Africa	(353)(91)702000 (Ireland)
Japan	(0) 35434-2021
Australia, New Zealand, South Pacific area	(61) (2) 9955 9366 (Australia)