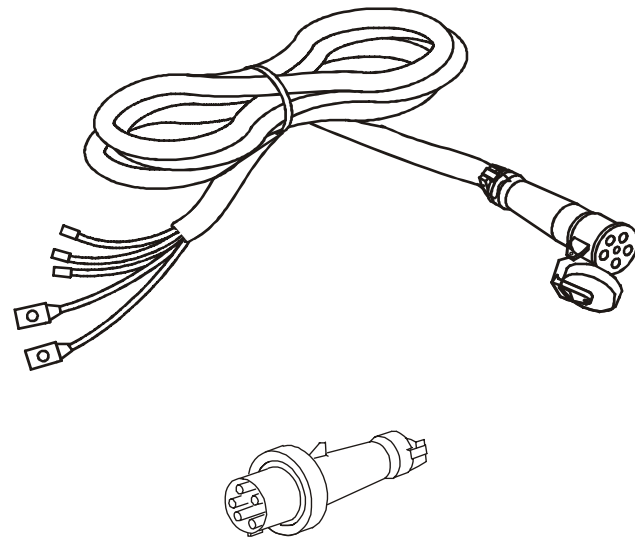


InfraStruXure® Cord Connector Set: Rack Distribution Panel to Power Distribution Unit



1 Safety



Only a certified electrician should install this cord and connector set.



The Power Distribution Unit (PDU) and Rack Distribution Panel (RDP) must be disconnected from their power source before performing these steps.



An 80 A circuit breaker (APC SKU PD3P80ABBSD) must be installed on the PDU to connect the cable.

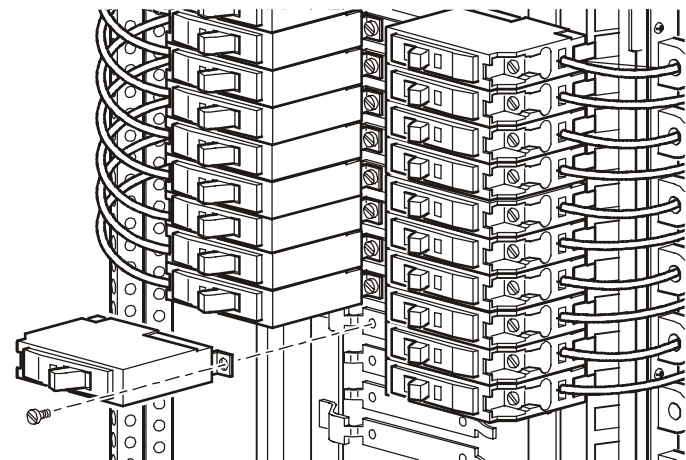


Only licensed electricians or APC Field Service Engineers should connect the sub-feed power cable conductors to a breaker on the PDU. Ensure that the RDP breakers are OFF before beginning this procedure.

2 Install circuit breaker and power cord on the PDU

Add a circuit breaker

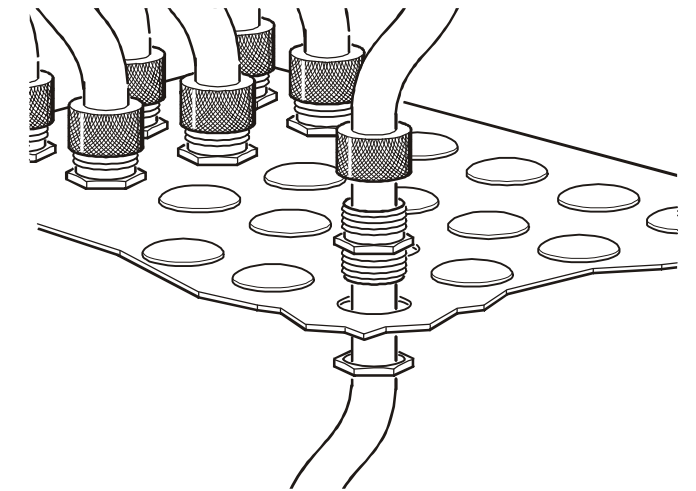
1. Snap the new circuit breaker into place and bolt in with 50 in/lb of torque.
2. Remove the corresponding plastic blanking plate on the front panel of the PDU.



Add a power cable

Before adding a power cable, add a circuit breaker.

1. Install a strain-relief connector in any available knockout on the roof of the PDU.
2. Slide enough of the power cable through the strain-relief connector to reach the new circuit breaker.
3. Tighten the strain-relief connector.



APC Worldwide Customer Support

Customer support for this or any other APC product is available at no charge in any of the following ways:

- Visit the APC Web site to access documents in the APC Knowledge Base and to submit customer support requests.
 - www.apc.com (Corporate Headquarters)
Connect to localized APC Web sites for specific countries, each of which provides customer support information.
 - www.apc.com/support/
Global support searching APC Knowledge Base and using e-support.
- Contact an APC Customer Support center by telephone or e-mail.
 - Regional centers:

InfraStruXure U.S., Canada	(1)(877) 537-0607 (toll free)
APC headquarters U.S., Canada	(1)(800)800-4272 (toll free)
Latin America	(1)(401)789-5735 (USA)
Europe, Middle East, Africa	(353)(91)702055 (Ireland)
Australia, New Zealand	(61) (2) 9955 9366
China	(86) (10) 8529 9888
Singapore	(65) 6398 1000
Japan	(0) 35434-2021

- Local, country-specific centers: go to www.apc.com/support/contact for contact information.

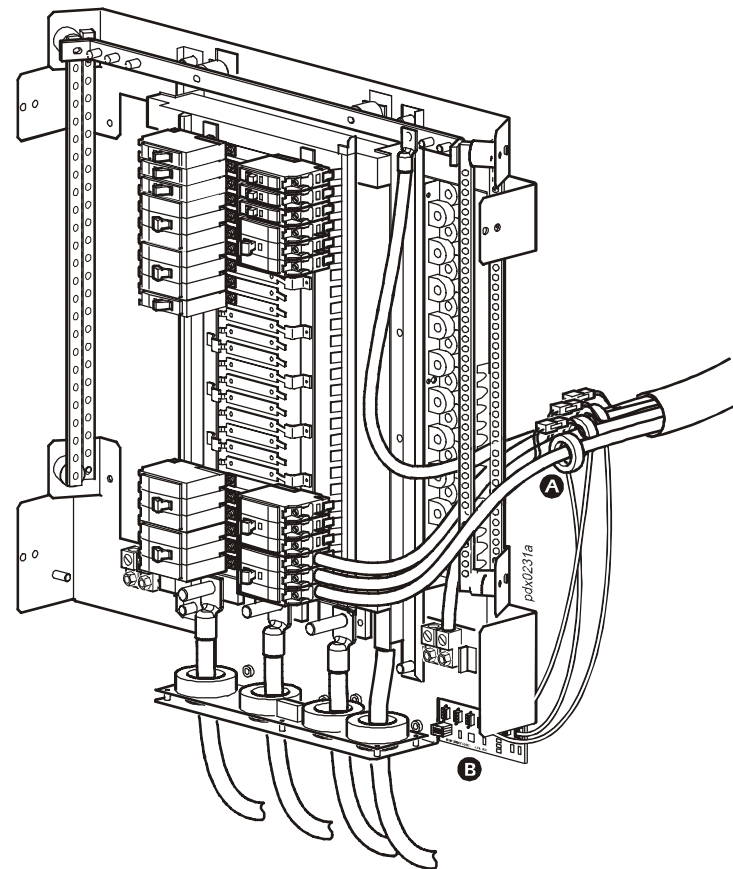
Contact the APC representative or other distributor from whom you purchased your APC product for information on how to obtain local customer support.

Entire contents copyright © 2006 American Power Conversion. All rights reserved. Reproduction in whole or in part without permission is prohibited. APC, the APC logo, and InfraStruXure are trademarks of American Power Conversion Corporation and may be registered in some jurisdictions. All other trademarks, product names, and corporate names are the property of their respective owners and are used for informational purposes only.



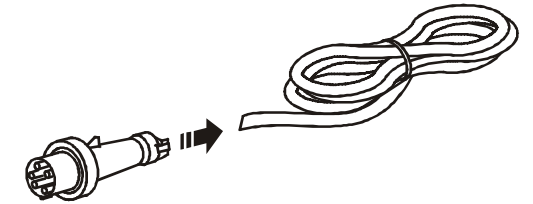
3 Connect the power cord to the PDU

1. To monitor the branch current, route each phase conductor (L1, L2, L3) through a current sensor **A** and secure using a wire tie. Connect the current branch monitors to the current branch monitoring board **B**. (The location of the branch current monitoring board may be different than pictured below, depending on the type of unit.)
2. Connect the individual wires of the power cable to the PDU, see the illustration below:
 - a. Connect each phase conductor (L1, L2, L3) to the appropriate pole on one of the three-pole breakers (sub-feed breakers) at the bottom of the panel. Secure the cords with a wire-tie.
 - b. Connect the neutral wire to a termination point on the neutral bar at the top of the distribution panel.
 - c. Connect the ground wire to a ground lug at the bottom of the distribution panel.



4 Connect the cable extender plug to the RDP power cord

Attach the cable extender plug to the RDP power cord according to the manufacturer's instructions included with the plug.



5 Connect the cable extender plug to the power cable receptacle

Connect the receptacle and the extender ends of the plug to complete installation.

