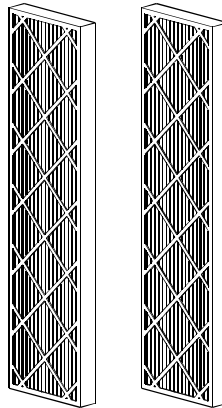
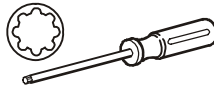


InfraStruXure InRow RC Disposable Air Filter (W0B165)—Installation



Disposable filter (2)

Required tools



20-IP Torx[®] screwdriver

Remove filters and brackets

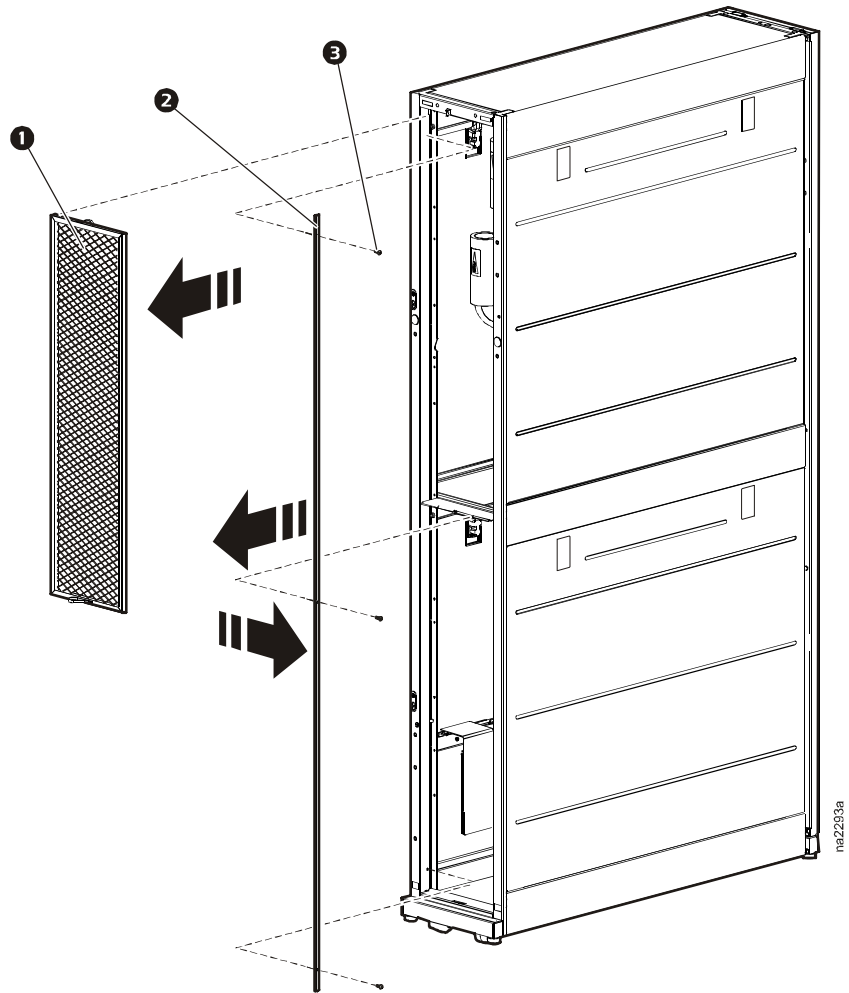
1. Remove and set aside the rear door.



See also

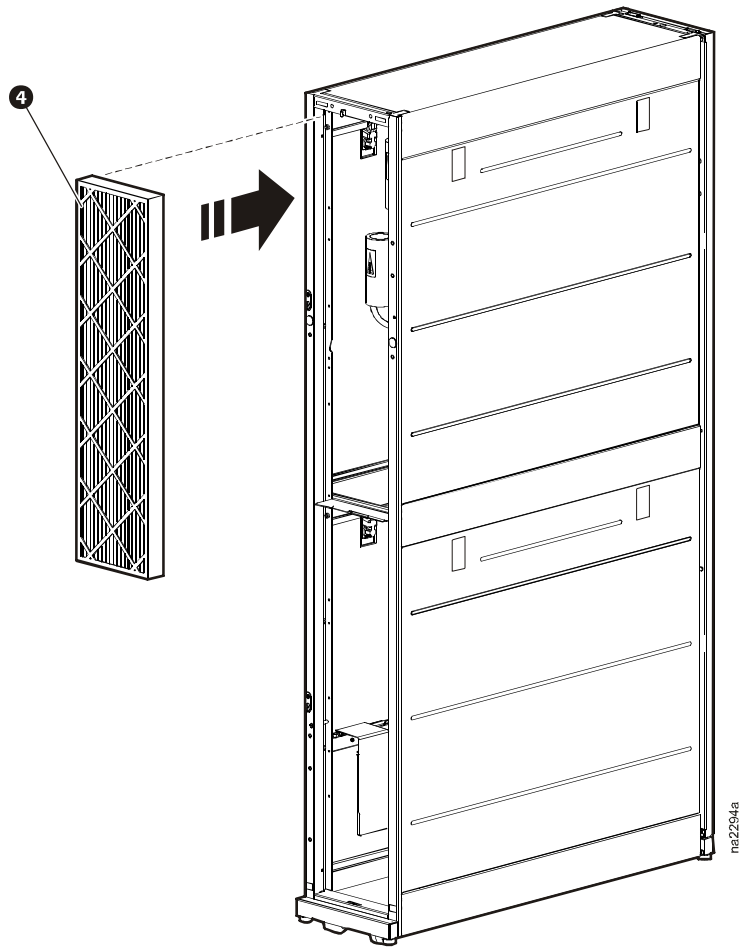
See “How to Remove the Doors and Panels” in the *InfraStruXure InRow RC Installation* manual.

2. Remove both washable filters **1**.
3. Remove three Torx screws **3** from one of the filter-retaining brackets **2**.
4. Repeat step 3 for the remaining filter-retaining bracket.
5. Save the washable filters, brackets, and screws for possible re-installation at a later time.



na2293a

6. Insert two new disposable filters **4** where the original filters were located. When installed correctly, the filters will fit securely and will be even with the frame.
7. Replace the rear door.



APC Worldwide Customer Support

Customer support for this or any other APC product is available at no charge in any of the following ways:

- Visit the APC Web site to access documents in the APC Knowledge Base and to submit customer support requests.
 - **www.apc.com** (Corporate Headquarters)
Connect to localized APC Web sites for specific countries, each of which provides customer support information.
- **www.apc.com/support/**
Global support searching APC Knowledge Base and using e-support.
- Contact an APC Customer Support center by telephone or e-mail.
 - Regional centers:

Direct InfraStruXure Customer Support Line	(1)(877)537-0607 (toll free)
APC headquarters U.S., Canada	(1)(800)800-4272 (toll free)
Latin America	(1)(401)789-5735 (USA)
Europe, Middle East, Africa	(353)(91)702000 (Ireland)
Japan	(0) 35434-2021
Australia, New Zealand, South Pacific area	(61) (2) 9955 9366 (Australia)

- Local, country-specific centers: go to **www.apc.com/support/contact** for contact information.

Contact the APC representative or other distributor from whom you purchased your APC product for information on how to obtain local customer support.

Entire contents copyright 2006 American Power Conversion Corporation. All rights reserved.

Reproduction in whole or in part without permission is prohibited. APC, the APC logo, and InfraStruXure are trademarks of American Power Conversion Corporation. All other trademarks, product names, and corporate names are the property of their respective owners and are used for informational purposes only.



990-2947-001



05/2006