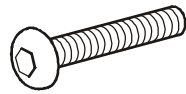
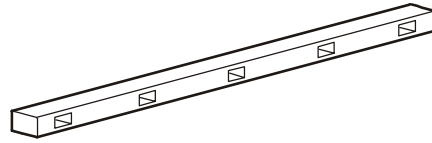


Installation Addendum: Filler Strip Gasket for Hot Aisle Containment 23-in (750-mm) Ceiling Panels

Inventory



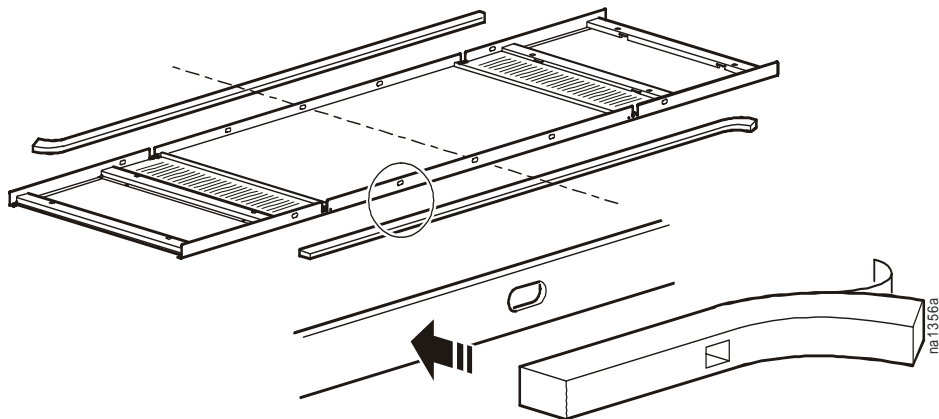
M6 × 60-mm screw (10)



Ceiling panel filler-strip gasket (2)

Install the filler strip gasket

Apply the filler-strip gasket material to the outside edges of the ceiling panel frame to seal the gap between two 23-inch rack ceiling panels, a 23-inch rack ceiling panel and the door frame, or a 23-inch rack ceiling panel and a 19-inch rack ceiling panel. Align the holes of the filler-strip gasket material with the mounting holes on the frame.



Attach the ceiling panel to the door header or other ceiling panels using the ten M6 × 60-mm screws provided.



See also

See the *Hot Aisle Containment System* installation manual that came with your system for the detailed installation procedures.

