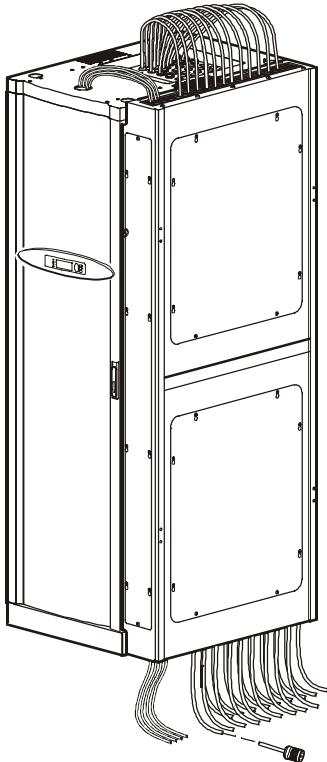


Installation Instructions

InfraStruXure PDU Side Cable Channel

Overview



The InfraStruXure PDU Side Cable Channel allows InfraStruXure PDU power cables and data cables to be routed under a raised floor to equipment enclosures. The Side Cable Channel has two compartments, one for routing power cables, and one for routing data cables. The compartment separates the two types of cables to prevent power cables interfering with data cable transmissions.

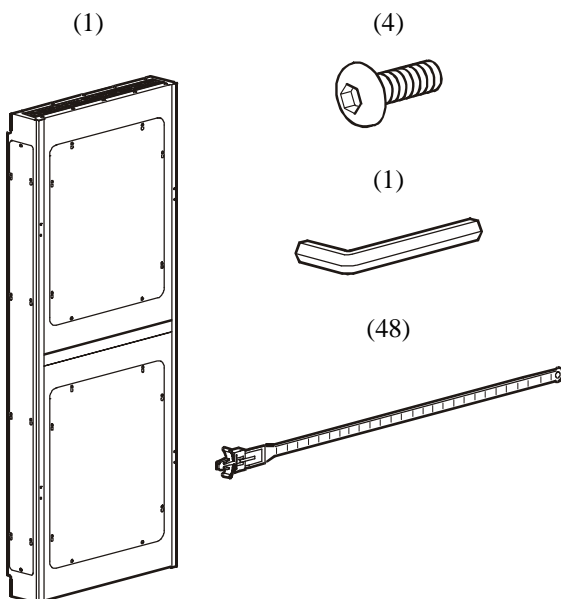
Attach the Side Cable Channel to either side of the InfraStruXure PDU, using the procedures in this instruction sheet.



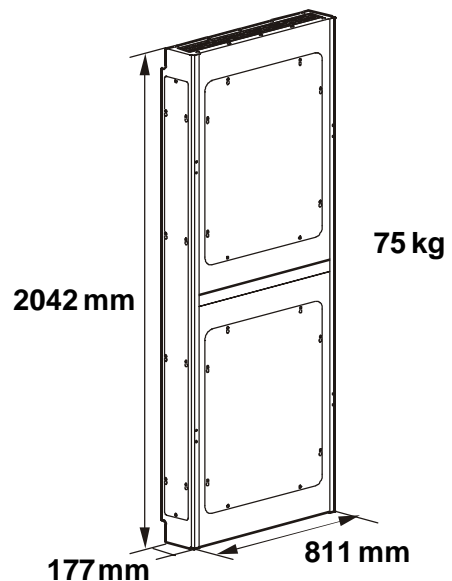
Note

Use at least two people to install the Side Cable Channel.

Inventory

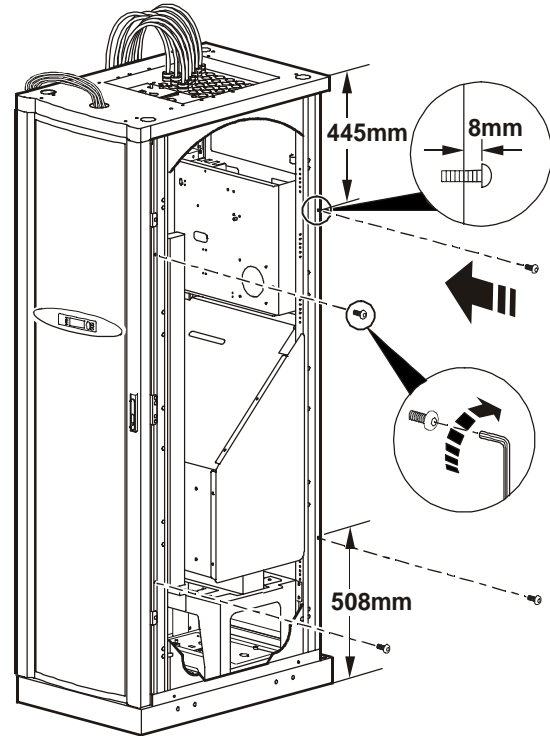
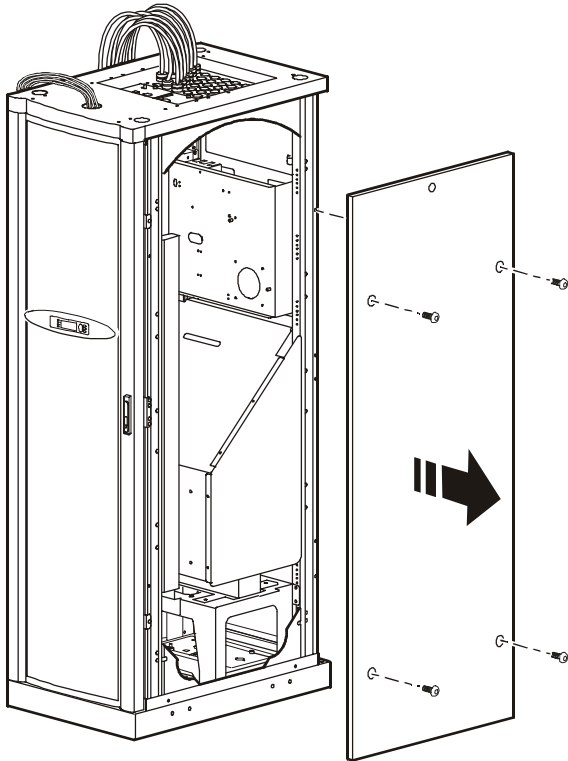


Weight and dimensions

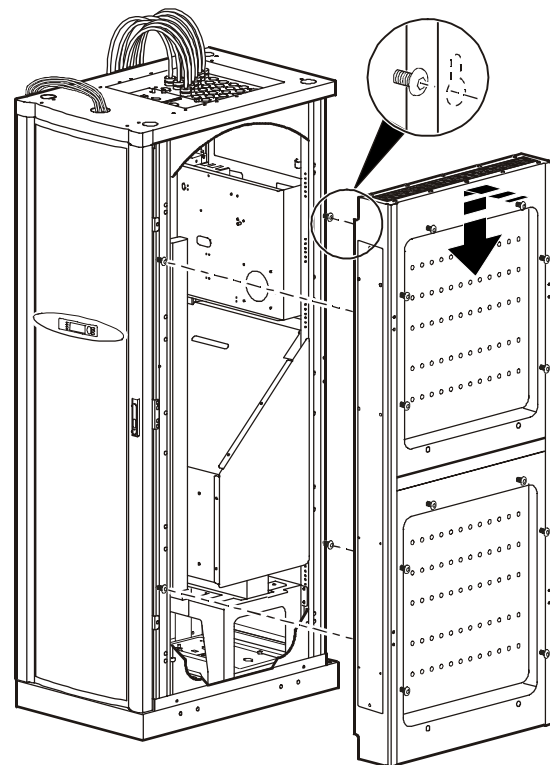
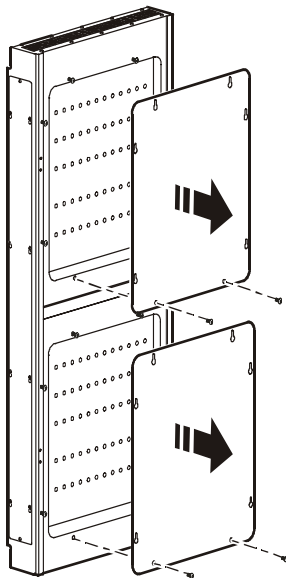


How to install the Side Cable Channel onto an InfraStruXure PDU

- 1** Remove the side panel on the side of the PDU to which you will attach the Side Cable Channel.
- 2** Attach the provided screws to the enclosure using the provided Allen wrench.



- 3** Remove the front panels on the Side Cable Channel.
- 4** Hang the Side Cable Channel onto the screws that you installed in step 2.

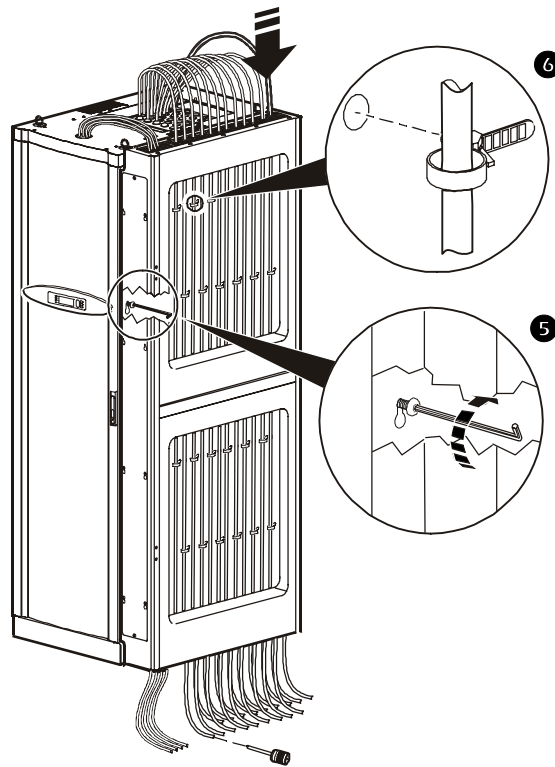


Warning

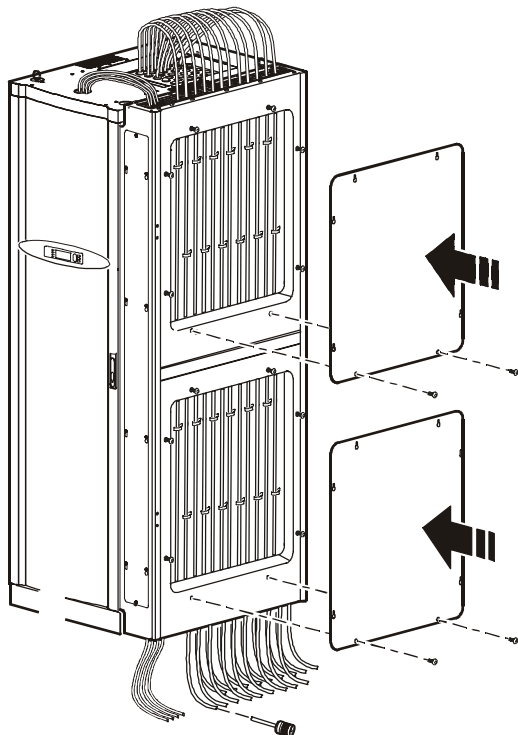
In step 4, be sure to install the Side Cable Channel with the larger opening of the key hole facing downward.

- 5** Secure the Side Cable Channel onto the PDU enclosure by tightening the screws with the provided Allen wrench.

- 6** Push the PDU power cables and data cables into the Side Cable Channel, and secure using the provided wire ties.



- 7** Reattach the Side Cable Channel front panels.



APC Worldwide Customer Support

Customer support for this or any other APC product is available at no charge in any of the following ways:

- Visit the APC Web site to access documents in the APC Knowledge Base and to submit customer support requests.
 - **www.apc.com** (Corporate Headquarters)
Connect to localized APC Web sites for specific countries, each of which provides customer support information.
 - **www.apc.com/support/**
Global support searching APC Knowledge Base and using e-support.
- Contact an APC Customer Support center by telephone or e-mail.
 - Regional centers:

Direct InfraStruXure Customer Support Line	(1)(877)537-0607 (toll free)
APC headquarters U.S., Canada	(1)(800)800-4272 (toll free)
Latin America	(1)(401)789-5735 (USA)
Europe, Middle East, Africa	(353)(91)702000 (Ireland)
Japan	(0) 35434-2021
Australia, New Zealand, South Pacific area	(61) (2) 9955 9366 (Australia)

- Local, country-specific centers: go to **www.apc.com/support/contact** for contact information.

Contact the APC representative or other distributor from whom you purchased your APC product for information on how to obtain local customer support.

Entire contents copyright © 2004 American Power Conversion. All rights reserved.
 Reproduction in whole or in part without permission is prohibited. APC, the APC logo, and
 InfraStruXure are trademarks of American Power Conversion Corporation and may be registered
 in some jurisdictions. All other trademarks, product names, and corporate names are the property
 of their respective owners and are used for informational purposes only.

