

Smoke Sensor (AP9323) Installation Instructions



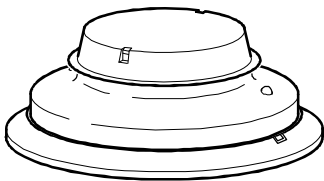
WARNING: The Smoke Sensor is intended to provide supplementary protection for equipment in data center racks and enclosures only. It is not to be used to protect structures or personnel.

WARNING: Do not connect the Smoke Sensor to anything other than the Environmental Management System. This could damage the sensor.

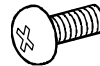


This Smoke Sensor includes a System Sensor[®] model 4W-B, I3 Series, Photoelectric Smoke Detector. For complete safety, installation, operation, and maintenance information, refer to the I3 Series Installation and Maintenance Instructions on the System Sensor Web site, www.systemsensor.com.

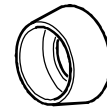
Inventory



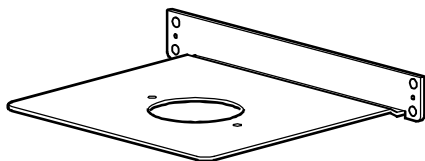
Smoke sensor with 3.05-m (10-ft) cable (1)



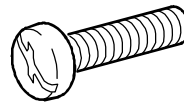
❶ M4 x 8 pan head screw (2)



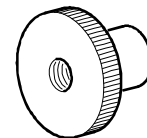
❷ M6 black plastic cup washer (2)



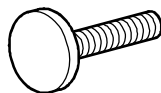
Smoke sensor bracket (1)



❸ M6 x 16 Phillips slot screw (2)



❹ M3 knurled thumb nut (2)



❺ M3 x 12 stud fastener (2)

Installation



Caution: Make sure you connect the Smoke Sensor into the port marked **Smoke** on the rear panel of the Environmental Management System. See your product documentation for details.

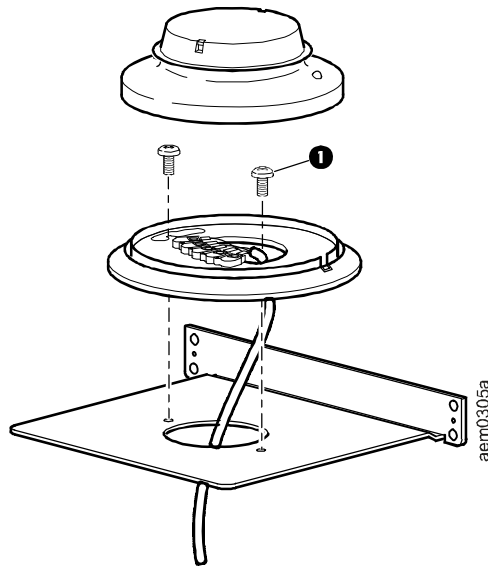
Caution: Make sure you remove the orange protective cover shown in step three.



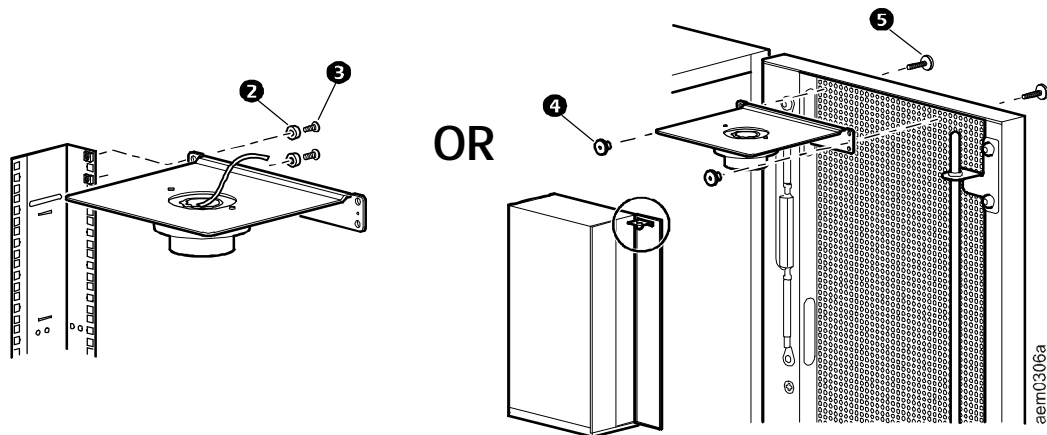
Note: Smoke detection is best when you install the sensor near the top of the enclosure. The sensor occupies one U-space.

Note: If mounting the Smoke Sensor to a vertical rail, use the cage nuts provided with your enclosure.

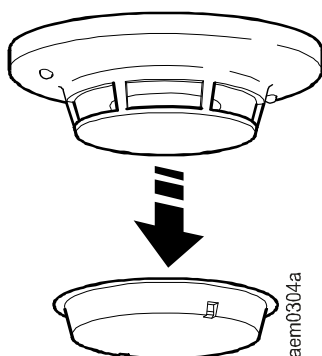
1



2



3



Operation

The Smoke Sensor LEDs function as follows:

- Both LEDs will blink simultaneously once every ten seconds during the power-up sequence.
- The green LED will blink once every five seconds to indicate normal operation.
- The red LED will blink once every five seconds to indicate that the Smoke Sensor is out of sensitivity.
- The red LED will turn on when the Smoke Sensor reports an alarm state.



Customer support and warranty information is available at the APC Web site, www.apc.com.

© 2009 American Power Conversion. All rights reserved. All APC trademarks are property of American Power Conversion. Other trademarks are property of their respective owners.

990-1363A
01/2009

