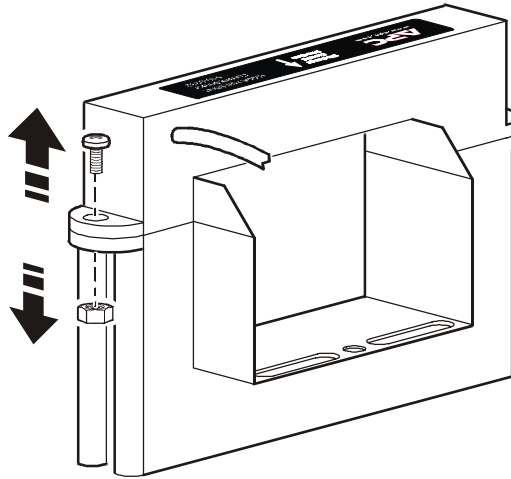


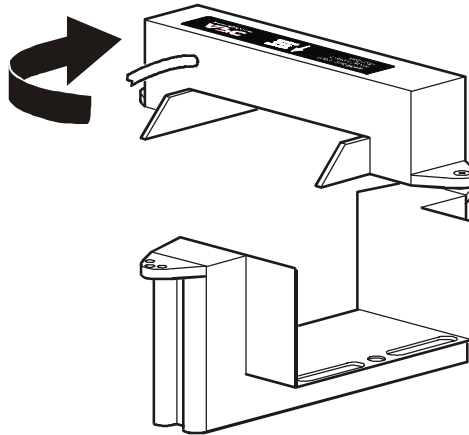
# Current Sensor—Battery Management System

## Install the current sensor

1. Remove the screw and nut from either side of the current sensor.



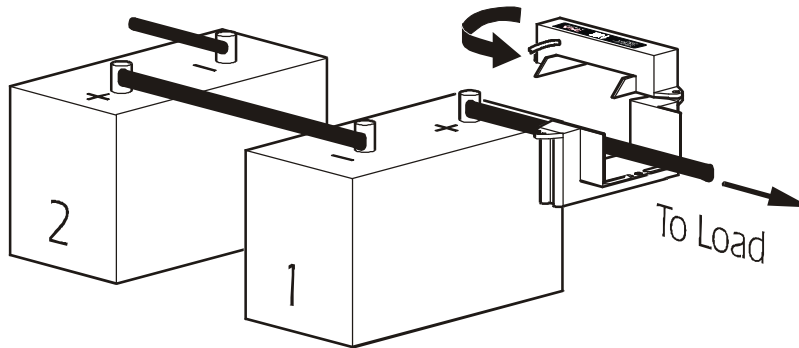
2. Separate the top and bottom sections of the sensor by twisting the sections apart.



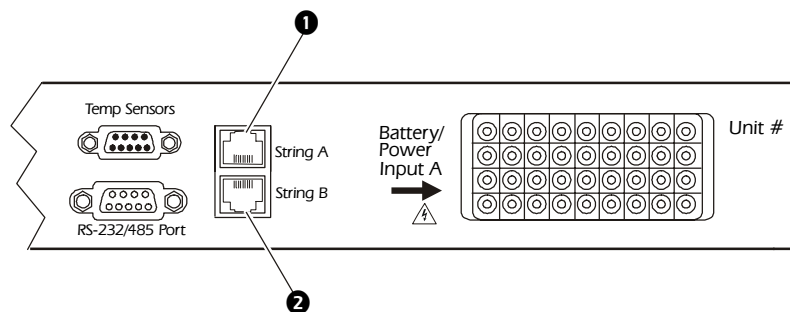
- Place the separated parts of the sensor around the main output battery lead on any battery, and secure it in place using the screw and nut removed in step 1.



Make sure the arrow on the current sensor is pointing away from the positive terminal on the batteries.



- Plug each sensor cable into a sensor port on the rear of the Battery Management System with the unit address of #1. Whether you need one or two sensors depends on your UPS model:
  - If you are connecting an APC Silcon UPS or an AIS UPS, your system requires two current sensors, one per string, which you plug into the ports on the rear panel of the first Battery Management System (DIP switch address #1). If you are connecting only one string of batteries to the Battery Management System, plug the sensor into the port marked **String A (labeled 1)**. If you connect a second string of batteries, plug the second sensor into the port marked **String B (labeled 2)**.*
  - If you are not connecting an APC Silcon UPS or an AIS UPS, your system requires only one current sensor. Plug the current sensor into the port marked **String A (labeled 1)** on the rear panel of the first Battery Management System (DIP switch address #1).*



To extend the current sensor cable, you may purchase from APC a Cat-5 male-to-male extension cable. Purchase either the 15-foot cable (0467-15) or 25-foot cable (0467-25), and use it with a female-to-female coupler (2926).

