

Thank you for purchasing APC's Category 5e Patch Panel. Please fill out an on-line Product Warranty Registration form at [www.apc.com](http://www.apc.com) and Enter Key Code f922y.

APC's Category 5e Patch Panel was designed for use in any standard 19-inch (48.2 cm) equipment rack or enclosure. Do not use this device in an environment where the operating temperature exceeds 0 to 40°C (32 to 104°F), or where the relative humidity exceeds 95% non-condensing. Do not store this device in an environment that exceeds 0 to 45°C (0 to 113°F).

When properly installed in a rack and wired to the appropriate network equipment, this device provides optimum performance in 10/100/1000 Base-T Gigabit Ethernet operating environments.

The Category 5e Patch Panel is available in twenty configurations (see *Specifications*) from one to four rack units (RUs) in height, providing 12, 24, 48, 72 or 96 angled or straight RJ-45 ports.

Procedures provided in this document are not intended to supersede local standards or codes. Reference the Telecommunications Industries Association and Electronic Industries Alliance publication "Commercial Building, Telecommunications Cabling Standard, General Requirements" (document number TIA/EIA-568-B.1-2001) to ensure proper installation of wiring.

### INSTALLATION

**Note:** Procedures in this manual are provided as a general guide only.

1. Due to the amount of insertion force required for wire installation, it is recommended the patch panel be installed in the rack during the wiring process. Install the panel in accordance with local procedures.
2. All wiring/cabling must be performed in accordance with TIA/EIA-568-B.1-2001.
3. When installing wires in a T568A configuration of an RJ45 110/Krone Panel (Figure 1), follow the connector color codes on the right side rail of each connector.
4. When installing wires in a T568B configuration of an RJ45 110/Krone Panel (Figure 1), follow the connector color codes on the left side rail of each connector.
5. Refer to the label (Figure 2) located between the rails for port indications (6 ports per module).

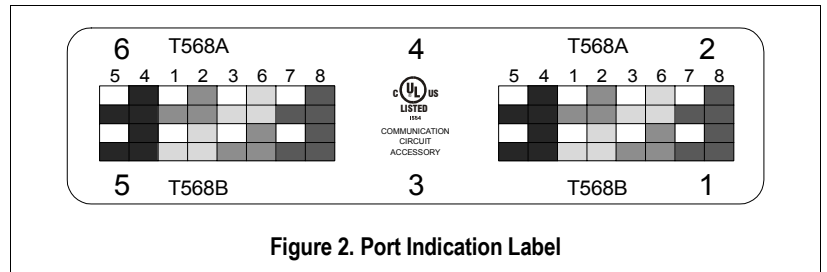


Figure 2. Port Indication Label

Table 2. T568B Wiring

PIN	WIRE COLOR
5	WHITE / BLUE
4	BLUE
1	ORANGE / WHITE
2	ORANGE
3	GREEN / WHITE
6	GREEN
7	BROWN / WHITE
8	BROWN

Table 1. T568A Wiring

PIN	WIRE COLOR
5	WHITE / BLUE
4	BLUE
1	GREEN / WHITE
2	GREEN
3	ORANGE / WHITE
6	ORANGE
7	BROWN / WHITE
8	BROWN

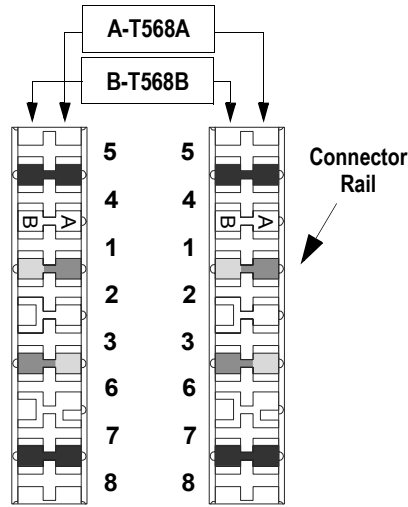


Figure 1. RJ-45 110 / Krone Connections

**Note:** When using an impact tool (punch-down tool) for wire installation, ensure the insertion force value setting of the tool being used is proper for the wire gauge being installed.

Additionally, ensure that the cutting edge of the tool is oriented to the outside edge of the connector rail (Figure 3).

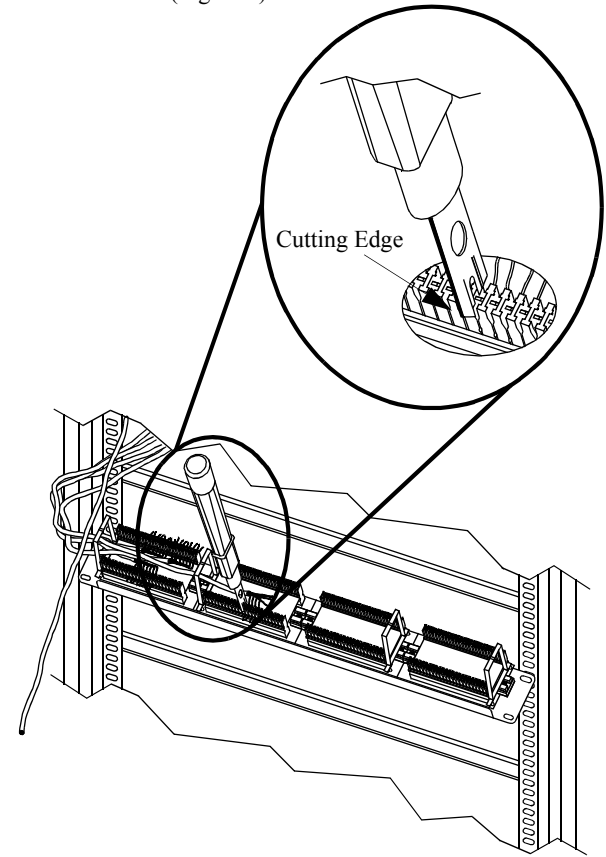


Figure 3. Wiring Installation (typical)

### Specifications

Part #	Description and Rack Unit Requirement	Ports	Size (W x H x D)	Net Weight	Shipping Weight
21055-12	Cat5e Angled RJ45-110/Krone 1 Rack Unit	12	19 x 1.75 x 2.125 inches (48.2 x 4.4 x 5.3 cm)	1.0 lbs (.45 kg)	1.4 lbs (.635 kg)
21055-24	Cat5e Angled RJ45-110/Krone 1 Rack Unit	24	19 x 1.75 x 2.125 inches (48.2 x 4.4 x 5.3 cm)	1.4 lbs (.635 kg)	1.8 lbs (.816 kg)
21055-48	Cat5e Angled RJ45-110/Krone 2 Rack Units	48	19 x 3.5 x 2.125 inches (48.2 x 8.8 x 5.3 cm)	2.5 lbs (1.1 kg)	3.1 lbs (1.4 kg)
21055-72	Cat5e Angled RJ45-110/Krone 3 Rack Units	72	19 x 5.25 x 2.125 inches (48.2 x 13.3 x 5.3 cm)	3.7 lbs (1.6 kg)	4.4 lbs (1.99 kg)
21055-96	Cat5e Angled RJ45-110/Krone 3 Rack Units	96	19 x 7.0 x 2.125 inches (48.2 x 17.7 x 5.3 cm)	4.9 lbs (2.2 kg)	5.9 lbs (2.6 kg)
21056-12	Cat5e Straight RJ45-110/Krone 1 Rack Unit	12	19 x 1.75 x 2.125 inches (48.2 x 4.4 x 5.3 cm)	1.0 Lbs (.45 kg)	1.4 lbs (.635 kg)
21056-24	Cat5e Straight RJ45-110/Krone 1 Rack Unit	24	19 x 1.75 x 2.125 inches (48.2 x 4.4 x 5.3 cm)	1.4 lbs (.635 kg)	1.8 lbs (.816 kg)
21056-48	Cat5e Straight RJ45-110/Krone 2 Rack Units	48	19 x 3.5 x 2.125 inches (48.2 x 8.8 x 5.3 cm)	2.5 lbs (1.1 kg)	3.1 lbs (1.4 kg)
21056-72	Cat5e Straight RJ45-110/Krone 3 Rack Units	72	19 x 5.25 x 2.125 inches (48.2 x 13.3 x 5.3 cm)	3.7 lbs (1.6 kg)	4.4 lbs (1.99 kg)
21056-96	Cat5e Straight RJ45-110/Krone 4 Rack Units	96	19 x 7.0 x 2.125 inches (48.2 x 17.7 x 5.3 cm)	4.9 lbs (2.2 kg)	5.9 lbs (2.6 kg)
21083-12	Cat5e Angled RJ45-110 1 Rack Unit	12	19 x 1.75 x 2.125 inches (48.2 x 4.4 x 5.3 cm)	1.0 lbs (.45 kg)	1.4 lbs (.635 kg)
21083-24	Cat5e Angled RJ45-110 1 Rack Unit	24	19 x 1.75 x 2.125 inches (48.2 x 4.4 x 5.3 cm)	1.4 lbs (.635 kg)	1.8 lbs (.816 kg)
21083-48	Cat5e Angled RJ45-110 2 Rack Units	48	19 x 3.5 x 2.125 inches (48.2 x 8.8 x 5.3 cm)	2.5 lbs (1.1 kg)	3.1 lbs (1.4 kg)
21083-72	Cat5e Angled RJ45-110 3 Rack Units	72	19 x 5.25 x 2.125 inches (48.2 x 13.3 x 5.3 cm)	3.7 lbs (1.6 kg)	4.4 lbs (1.99 kg)
21083-96	Cat5e Angled RJ45-110 4 Rack Units	96	19 x 7.0 x 2.125 inches (48.2 x 17.7 x 5.3 cm)	4.9 lbs (2.2 kg)	5.9 lbs (2.6 kg)
21084-12	Cat5e Straight RJ45-110 1 Rack Unit	12	19 x 1.75 x 2.125 inches (48.2 x 4.4 x 5.3 cm)	1.0 lbs (.45 kg)	1.4 lbs (.635 kg)
21084-24	Cat5e Straight RJ45-110 1 Rack Unit	24	19 x 1.75 x 2.125 inches (48.2 x 4.4 x 5.3 cm)	1.4 lbs (.635 kg)	1.8 lbs (.816 kg)
21084-48	Cat5e Straight RJ45-110 2 Rack Units	48	19 x 3.5 x 2.125 inches (48.2 x 8.8 x 5.3 cm)	2.5 lbs (1.1 kg)	3.1 lbs (1.4 kg)
21084-72	Cat5e Straight RJ45-110 3 Rack Units	72	19 x 5.25 x 2.125 inches (48.2 x 13.3 x 5.3 cm)	3.7 lbs (1.6 kg)	4.4 lbs (1.99 kg)
21084-96	Cat5e Straight RJ45-110 4 Rack Units	96	19 x 7.0 x 2.125 inches (48.2 x 17.7 x 5.3 cm)	4.9 lbs (2.2 kg)	5.9 lbs (2.6 kg)

### TROUBLESHOOTING

If the channel connection is not functioning upon completion of the installation, perform channel and continuity tests with appropriate installation network analyzer to localize faulty wire, panel or termination connection and replace or repair the defective component.

### SERVICE

**If the device arrived damaged, notify the carrier.**

**If the device requires service, do not return it to the dealer. The following steps should be taken:**

1. Consult the Troubleshooting section to eliminate common problems.
2. If the problem persists, go to <http://www.apc.com/support/>.
3. If the problem still persists, contact APC Technical Support.
  - Have the model number, serial number and date of purchase available. Be prepared to troubleshoot the problem with an APC Technical Support representative. If this is not successful, APC will issue a Return Merchandise Authorization (RMA) number and a shipping address.

### WARRANTY

#### Two Year Limited Warranty

The standard warranty is two (2) years from the date of purchase. APC's standard procedure is to replace the original unit with a factory reconditioned unit. Customers who must have the original unit back due to the assignment of asset tags and set depreciation schedules must declare such a need at first contact with an APC Technical Support representative. APC will ship the replacement unit once the defective unit has been received by the repair department, or cross-ship upon the receipt of a valid credit card number. The customer pays for shipping the unit to APC. APC pays ground freight transportation costs to ship the replacement unit to the customer.

### CONTACT INFORMATION

#### Customer Service

For information please call APC Customer Service Center at:

American Power Conversion 1-401-789-5735 - 1-800-800-4APC (4272)  
132 Fairgrounds Road <http://www.apc.com/support> or  
West Kingston, RI 01892 USA [esupport@apcc.com](mailto:esupport@apcc.com)