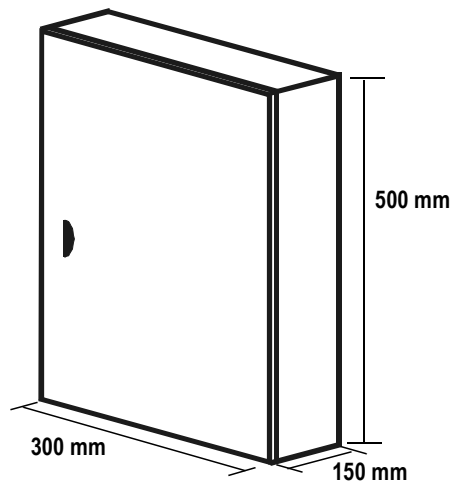




Symmetra[®] MW UPSync



ALL safety instructions in this document shall be read, understood and followed. Failure to do so could result in equipment damage, serious injury, or death.

1 IMPORTANT SAFETY INSTRUCTIONS - SAVE THESE INSTRUCTIONS

This guide contains important safety instructions that should be followed when handling the UPSync



UPSsync contains hazardous AC voltages. Only qualified electricians may install the unit.



The unit contains components that are sensitive to electrostatic discharge (ESD). Follow proper ESD procedures to avoid damaging electronic components.

2 Symbol introduction



Indicates an electrical hazard, which, if not avoided, could result in injury or death.



Indicates a hazard, which, if not avoided, could result in injury or death.



Indicates important information.



Indicates that more information is available on this subject in a different section of this manual.



Indicates that more information is available on the same subject in a different manual.

3 Receiving

External inspection

Before unpacking unit inspect the shipping material for any signs of damage or mishandling. Do not attempt to install the system if damage is apparent. If any damage is noted, file a damage claim with the shipping agency within 24 hours, and contact APC Technical Support to inform of the damage claim and the condition of the shipment.

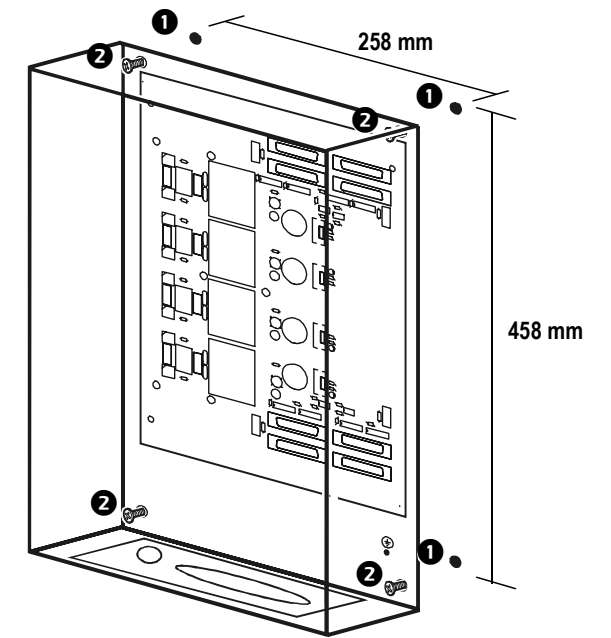
Compare the components of the shipment with the bill of lading. Report any missing items to the carrier and to APC Technical Support immediately.

Verify that labelled units match the order confirmation.



Shipping materials are recyclable. Please re-use or dispose of appropriately.

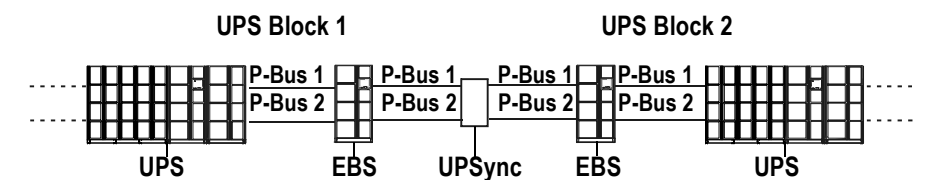
4 Mounting the UPSync to the Wall



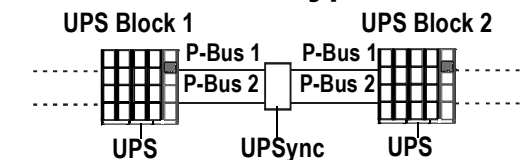
- 1 Mark the four mounting hole locations on the wall. Drill holes in each of the four marked locations and install plugs.
- 2 Place the UPSync against the wall lining up with the holes and secure the enclosure to the wall with four screws.

5 Control Wiring Principle

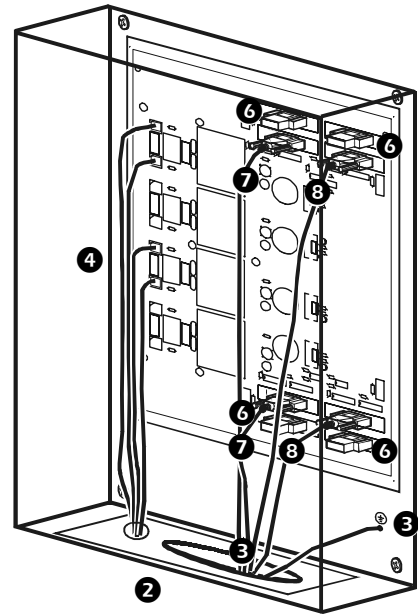
Systems with External Bypass Static Switch (EBS)



Systems with Internal Bypass



6 Cable Landings



- ❶ Remove cover over utility/mains terminals using a torx screwdriver (not shown).
- ❷ Route cables through bottom of UPSync.
- ❸ Connect ground cable.
- ❹ Connect J10, J9, J16 and J15 to UPS output using external fuses in each line (rated 1 Amp 480 V slow).
- ❺ Mount cover over utility/mains terminals (not shown).
- ❻ Move terminators from UPS Block 1 and UPS Block 2 to UPSync.
- ❼ Connect UPSync cables between UPS Block 1 connection plane and UPSync Block 1 connectors using specified cables (see table below).
- ❽ Connect UPSync cables between UPS Block 2 connection plane and UPSync Block 2 connectors using specified cables (see table below).

UPSyc Cables	Description
SYMWSUCBL200	APC Symmetra MW UPSync Cable 200 m
SYMWSUCBL100	APC Symmetra MW UPSync Cable 100 m
SYMWSUCBL50	APC Symmetra MW UPSync Cable 50 m
SYMWSUCBL25	APC Symmetra MW UPSync Cable 25 m

7 Specifications

Input

Nominal voltage	400-480 V Phase-Phase-Ground
Input current	32-64 mA
Input frequency	50 / 60 Hz
Torque value	4.4-5.3 lbf-in / 0.5-0.6 Nm

8 Operating Environment

Temperature Range: 32° to 104°F / 0° to 40°C	Keep Ventilated	Relative Humidity: <95% Non-condensing	No Conductive Dust or Corrosive Fumes

9 Regulatory Agency Approval

The UPS system is listed according to the UL or CE norms as applicable.



10 Factory Warranty

APC warrants that the unit, when properly installed and commissioned by APC or APC authorized service personnel, shall be free from defects in materials and workmanship for a period of (1) year from the date of installation or maximum 18 months after manufacturing. In the event that the unit fails to meet the foregoing warranty, APC shall for a period of one (1) year repair or replace any defective parts, without charge for on-site labor and travel if trained & authorized APC personnel has conducted start-up of the unit.

An APC Start-Up Service must be performed/completed by APC or by service personnel authorized by APC. If not, the on-site factory warranty will be voided and replacement of defective parts only will be covered. APC shall have no liability and no obligation to repair the installed unit if non-authorized APC personnel performed the start-up and such start-up caused the unit to be defective.

APC shall not be liable under the warranty if its testing and examination disclose that the alleged defect in the product does not exist or was caused by purchaser's or any third person's misuse, negligence, improper installation or testing, unauthorized attempts to repair or modify, or any other cause beyond the range of the intended use, or by accident, fire, lightning or other hazard.

There are no warranties, expressed or implied, by operation of law or otherwise, of products sold, serviced or furnished under this agreement or in connection herewithin. APC disclaims all implied warranties of merchantability, satisfaction and fitness for a particular purpose. APC's express warranties will not be enlarged, diminished, or affected by and no obligation or liability will arise out of, APC rendering of technical or other advice or service in connection with the products. The foregoing warranties and remedies are exclusive and in lieu of all other warranties and remedies. The warranties set forth above, constitute APC's sole liability and purchaser's exclusive remedy for any breach of such warranties. APC's warranties apply only to purchaser and are not extended to any third parties.

In no event shall APC, its officers, directors, affiliates or employees be liable for any form of indirect, special, consequential or punitive damages, arising out of the use, service or installation, of the products, whether such damages arise in contract or tort, irrespective of fault, negligence or strict liability or whether APC has been advised in advance of the possibility of such damages.

11 Life Support Policy

As a general policy, American Power Conversion Corporation and its affiliates and subsidiaries worldwide (APC) do not recommend the use of any of its products in life support applications where failure or malfunction of the APC product can be reasonably expected to cause failure of the life support device or to significantly affect its safety or effectiveness. APC does not recommend the use of any of its products in direct patient care. APC will not knowingly sell its products for use in such applications.

Examples of devices considered to be life support devices are neonatal oxygen analysers, nerve stimulators (whether used for anesthesia, pain relief, or other purposes), autotransfusion devices, blood pumps, defibrillators, arrhythmia detectors and alarms, pacemakers, hemodialysis systems, peritoneal dialysis systems, neonatal ventilator incubators, ventilators for both adults and infants, anesthesia ventilators, infusion pumps, and any other device designated as "critical" by the U.S.F.D.A.

12 Contact Information

For local, country-specific centers: go to www.apc.com/support/contact.