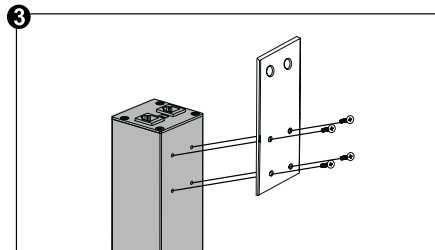
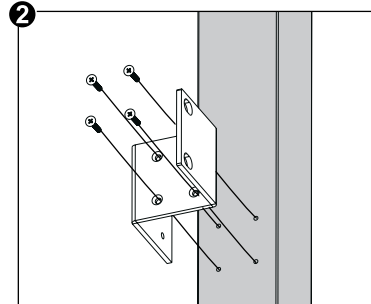
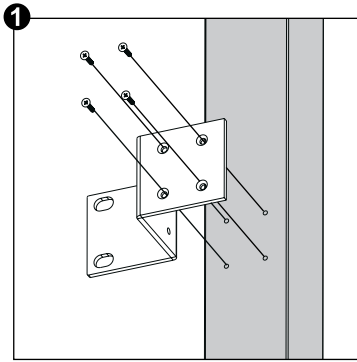


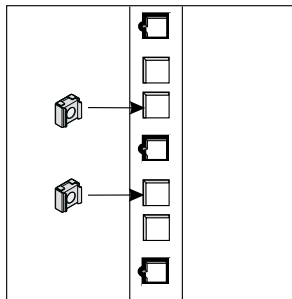
How to Mount MasterSwitch VM in a NetShelter Enclosure

1. Attach the brackets to the rear of the strip, using 4 screws (provided) for each bracket. Choose the bracket and position that best suits your needs.

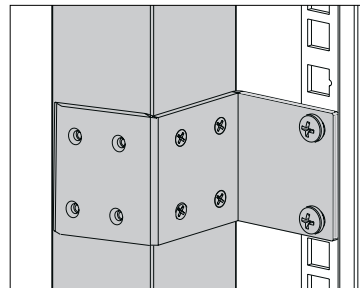


Note: The bracket in ③ (at left) is for two-post racks. Using this bracket may require you to drill holes in the rack.

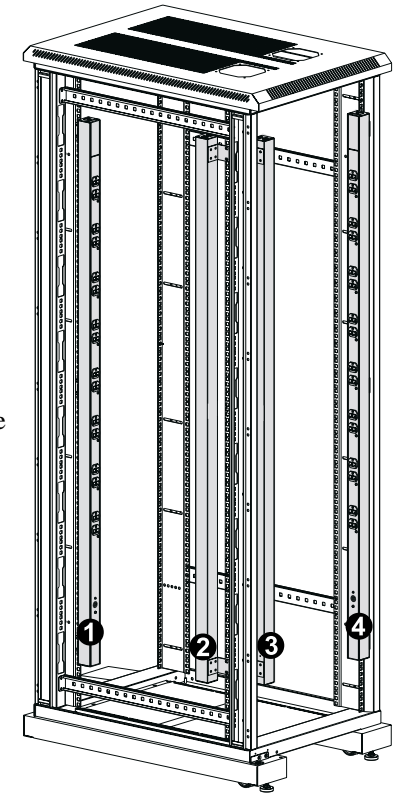
3. Insert a caged nut (provided with the enclosure) above and below a notched hole on a vertical mounting rail at the highest point in your chosen location.



4. Align the mounting holes on the top bracket with the caged nuts you installed in Step 3, and insert two mounting screws (provided with the enclosure) to secure the top bracket.



2. Choose a suitable location for the strip. The figure at right shows the strip mounted in four different locations in the enclosure. To avoid interfering with shelves or equipment, install the strip so that it hangs on the outside edge of the vertical rail.



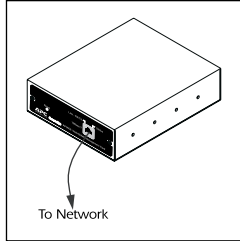
5. Repeat Step 4 for the bottom bracket to secure the strip to the enclosure.

How to Set Up MasterSwitch VM

Setting up a single strip

You must perform Step 2 last!

1. Plug the strip into a protected power source and use the appropriate cable to connect to the network port on the controller.

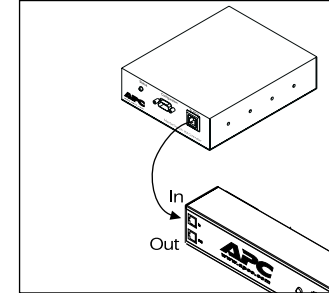


Caution:



APC does not recommend plugging the strip directly into any unprotected power source, such as a wall outlet.

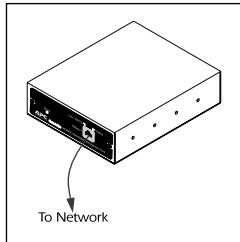
2. Connect the To PDU port on the controller to the In port on the strip, using one of the provided gray communication cables.



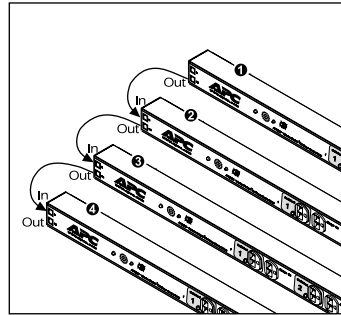
Setting up multiple strips (cascading)

You must perform Step 3 last!

1. Plug each strip into a protected power source and use the appropriate cable to connect to the network port on the controller.

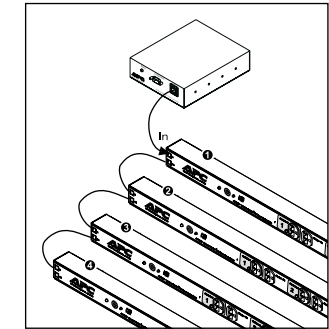


2. Connect the strips using the 10-foot gray communication cable (607-0035A): strip 4 In to strip 3 Out; strip 3 In to strip 2 Out; strip 2 In to strip 1 Out.



Note: You can also connect AP9222 strips to AP9221EXPX166 units in a cascade configuration.

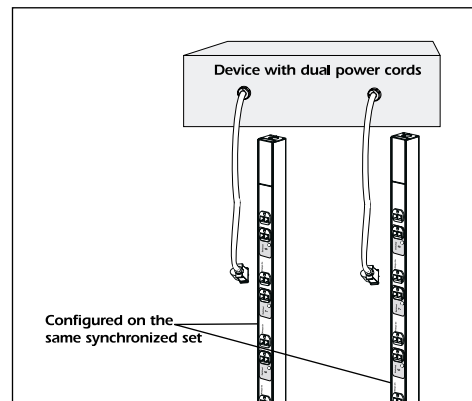
3. Connect the RJ-11 port labeled To PDU on the controller to the RJ-11 port labeled In on strip 1, using one of the provided gray communication cables.



How to set up PDUs for dual power cord devices

Use the following procedure when cascading strips that are connected to devices (servers) with dual power cords.

1. Follow the procedure for setting up multiple strips. (Attach dual cords to separate strips for redundancy.)
2. Use the MasterSwitch VM network interface to configure the redundant strips on the same synchronized set. Failure to configure synchronized sets will not guarantee “power off” to both strips at the same time.



Note: See the *MasterSwitch VM User's Guide* on the provided CD or on the Web site for more information on configuring synchronized sets.