

APC MasterSwitch Power Receptacles (AP9510 Series)

Introduction

APC® MasterSwitch™ Power Receptacles increase the maximum amperage controlled by a MasterSwitch unit. A North American model of MasterSwitch can supply a maximum of 12 amps total over eight outlets. Using eight 5-15 Power Receptacle units, for example, you can control power to a total load of up to 96 amps—12 amps per receptacle—using a single MasterSwitch. For international models, you can control power to loads totaling 80 A—10 amps per receptacle—using a single MasterSwitch unit.

You can mount up to three Power Receptacle units in a Power Receptacle Tray (AP9510BAY), which installs into an APC NetShelter® enclosure. You can mix and match various Power Receptacle models in the Power Receptacle Tray. The tray requires 2U of space in the NetShelter and can fit conveniently on the rear mounting flanges, behind a MasterSwitch unit.

Electrical information

APC Part Number	Receptacle	Volts	Amps	Φ	Relay Coil
AP9510515	5-15 duplex	115	12	1	100/120 VAC @ 17/24 mA
AP9510520	5-20 duplex	115	16	1	100/120 VAC @ 17/24 mA
AP9510L620	L6-20	240	16	2	100/120 VAC @ 34/48 mA
AP9510L630	L6-30	240	24	2	100/120 VAC @ 34/48 mA
AP95103202 (international)	IEC320 Quad	240	10	1	200/240 VAC @8.5/10 mA

Mounting options

Power Receptacles can be placed on a desk or mounted in a rack. To place on a desk, attach the four rubber feet (supplied) to the bottom of the unit. To mount in a rack, use the Power Receptacle Tray (AP9510BAY) and follow the mounting instructions in “Mounting power receptacles in a rack” on page 2.

MasterSwitch Power Receptacles *continued*

Warnings



Exceeding the voltage or amperage limits for the individual Power Receptacles could cause fire damage or shock.

Do not exceed the load capacity of the UPS or branch circuit by connecting more than one fully loaded Power Receptacle. To calculate the expected load, consult the nameplate ratings of all connected equipment.

You must maintain reliable grounding of all equipment. Pay particular attention to supply connections other than direct connections to the branch circuit.

Do not exceed the operating temperature or humidity limits shown in “Additional specifications” on page 5. Note that the ambient temperature in a rack environment may be greater than the ambient room temperature.

When installing the Power Receptacles in a rack:

- Do not mount the receptacles in a location that impedes the flow of air in the rack.
- Do not mount the receptacles in a way that loads the rack unevenly, causing the rack to become unstable.

Disconnect the front panel power cord and the relay control input cord before moving the Power Receptacle. Both cords carry hazardous voltages.

Mounting power receptacles in a rack

To mount Power Receptacles in a NetShelter enclosure or other standard (EIA 310-D) 19" rack, use the hardware provided with the Power Receptacle Tray and perform the following steps in the order given.

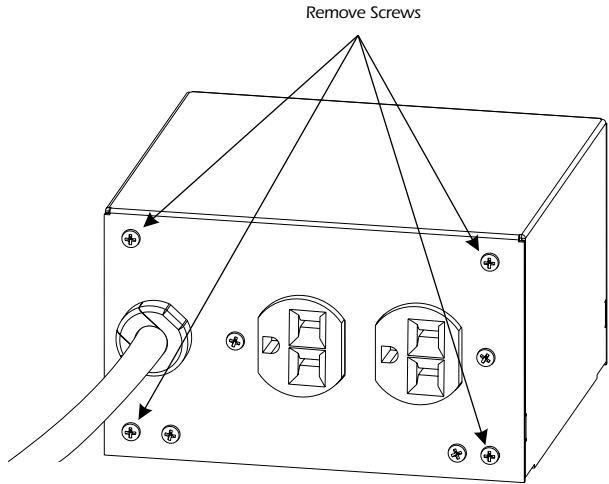
1. Plan the mounting location for the tray and each unit within the tray. The figure on page 4 shows the tray mounted at the rear of a NetShelter, at the same height as the MasterSwitch, which has been mounted on the front. Consider your need for proximity to the UPS and to the attached load(s).

Note: You must install Power Receptacles near the attached load(s), so that the outlet is easily accessible.

MasterSwitch Power Receptacles *continued*

Mounting power receptacles in a rack, *continued*

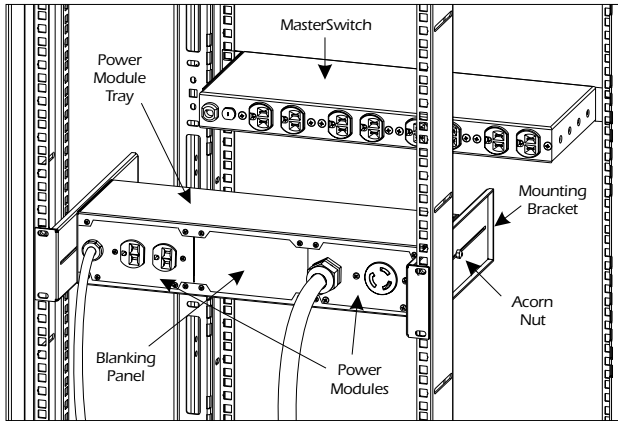
- Using a Phillips head screwdriver, remove the four outermost 6-32 screws from the front panel of each Power Receptacle to be mounted in the tray, as shown in the figure below.



- Remove blanking panels from the front of the Power Receptacle Tray, as necessary.
- Insert each Power Receptacle unit into one of the bays of the tray, aligning the holes on front panel of the unit with the holes in the flanges of the tray. Attach with the four 6-32 screws removed in Step 2.
- Attach a blanking panel to any empty bays, using four 6-32 screws (provided). See the figure on page 4 for an example setup.
- Place the mounting brackets on the side of the tray, inserting the two tray studs into the slit of each bracket. Slide the brackets forward to allow room for the power cords that will be connected at the rear of the rack. Attach using two 8-32 acorn nuts (provided with the Power Receptacle Tray) for each bracket.

MasterSwitch Power Receptacles *continued*

Mounting power receptacles in a rack, *continued*



Connecting the power receptacles

Attach the tray assembly to the rack, using hardware provided with the rack. To connect the Power Receptacle(s), refer to the figure on page 5 and perform the following steps in the order given.

1. Connect the power cord on the front panel of the Power Receptacle to your APC UPS or to a branch circuit capable of supplying power to the connected loads.

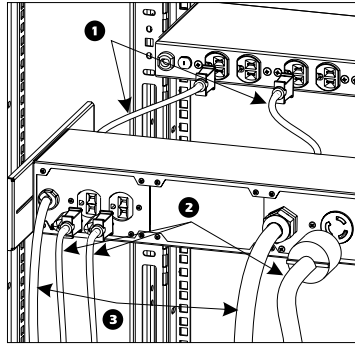
Note: International models do not include a power cord. You must supply your own. However, the procedure for connecting power is the same.

2. Connect the load(s) to the outlet(s) on the front panel of the power receptacle.

MasterSwitch Power Receptacles *continued*

Connecting the power receptacles, continued

3. Connect the relay control input cord (on the rear panel of the Power Receptacle) to an outlet on the rear of the MasterSwitch.



Note: To disconnect, perform steps 1–3 in reverse order.

Additional specifications

The following table provides Power Receptacle specifications not listed in “Electrical information” on page 1.

Item	Specification
Approvals	
North American AP9510515, AP9510520, AP9510L620, AP9510L630	UL, CSA
International AP95103202	VDE, CE
Operating temperature	–5°C to +45°C
Operating humidity	35% to 85%, non-condensing

MasterSwitch Power Receptacles *continued*

Limited warranty

American Power Conversion (APC) warrants the Power Receptacle to be free from defects in material and workmanship for a period of two years from the date of purchase. Its obligation under this warranty is limited to repairing or replacing, at its own sole option, any such defective products. This warranty does not apply to equipment which has been damaged by accident, negligence, or misapplication or has been altered or modified in any way. This warranty applies only to the original purchase.

Warranty limitations

Except as provided herein, American Power Conversion makes no warranties, express or implied, including warranties of merchantability and fitness for a particular purpose. Some jurisdictions do not permit limitation or exclusion of implied warranties; therefore, the aforesaid limitation(s) or exclusion(s) may not apply to the purchaser.

Except as provided above, in no event will APC be liable for direct, indirect, special, incidental, or consequential damages arising out of the use of this product, even if advised of the possibility of such damage.

Specifically, APC is not liable for any costs, such as lost profits or revenue, loss of equipment, loss of use of equipment, loss of software, loss of data, costs of substitutes, claims by third parties, or otherwise. This warranty gives you specific legal rights and you may also have other rights which vary from state to state.

Life-support policy

As a general policy, APC does not recommend the use of any of its products in life-support applications where failure or malfunction of the APC product can be reasonably expected to cause failure of the life-support device or to affect significantly its safety or effectiveness. APC does not recommend the use of any of its products in direct patient care. APC will not knowingly sell its products for use in such applications unless it receives in writing assurances satisfactory to APC that (a) the risks of injury or damage have been minimized, (b) the customer assumes all such risks, and (c) the liability of American Power Conversion is adequately protected under the circumstances.

MasterSwitch Power Receptacles *continued*

Examples of life-support devices

The term *life-support device* includes, but is not limited to, neonatal oxygen analyzers, nerve stimulators (whether used for anesthesia, pain relief, or other purposes), autotransfusion devices, blood pumps, defibrillators, arrhythmia detectors and alarms, pacemakers, hemodialysis systems, peritoneal dialysis systems, neonatal ventilator incubators, ventilators (for adults or infants), anesthesia ventilators, infusion pumps, and any other devices designated as “critical” by the U.S. FDA.

Hospital-grade wiring devices and leakage current protection may be ordered as options on many APC UPS systems. APC does not claim that units with this modifications are certified or listed as hospital-grade by APC or any other organization. Therefore these units do not meet the requirements for use in direct patient care.

Additional safety warnings

English

- Always connect the three-wire main power cord before connecting the two-wire control cord. When removing power, disconnect the two-wire control cord before disconnecting the three-wire power cord.
- Always install the Power Receptacle right side up.

Français

- Toujours brancher le cordon électrique à trois fils avant de brancher le cordon de commande à deux fils. Pour couper le courant, débrancher d'abord le cordon à deux fils avant de débrancher le cordon à trois fils.
- Toujours installer le Module électrique avec le côté droit vers le haut.

Deutsch

- Das dreiadrige Netzkabel immer vor dem zweiadrigen Steuerkabel anschließen. Zum Trennen der Stromversorgung, zuerst das zweiadrige Steuerkabel entfernen und danach das dreiadrige Netzkabel.
- Das Stromversorgungsmodul immer in normaler (aufrechter) Lage befestigen.

Español

- Siempre conecte el cable de suministro eléctrico principal de tres puntos antes de conectar el cable de control de dos puntos. Al apagar el suministro eléctrico, desconecte el cable de control de dos puntos antes de desconectar el cable de suministro de tres puntos.
- Siempre instale el módulo de suministro eléctrico con el lado derecho hacia arriba.

MasterSwitch Power Receptacles *continued*

Additional safety warnings continued

Italiano

- Prima di collegare il cavo di controllo a due conduttori, collegare sempre il cavo di alimentazione a tre conduttori. Per interrompere l'alimentazione, staccare il cavo di controllo a due conduttori prima di scollegare il cavo di alimentazione a tre conduttori.
- Installare sempre il modulo di alimentazione con il lato destro rivolto verso l'alto.

Português

- Ligue sempre o cabo principal de alimentação de três fios antes de ligar o cabo de controlo de dois fios. Ao desligar a corrente, desligue o cabo de controlo de dois fios antes de desligar o cabo de alimentação de três fios.
- Instale sempre o Módulo de Alimentação com o lado direito virado para cima.

Entire contents copyright © 2001 American Power Conversion. All rights reserved.

Reproduction in whole or in part without permission is prohibited. APC, the APC logo, MasterSwitch, and NetShelter are trademarks of American Power Conversion Corporation and may be registered in some jurisdictions. All other trademarks, product names, and corporate names are the property of their respective owners and are used for informational purposes only.