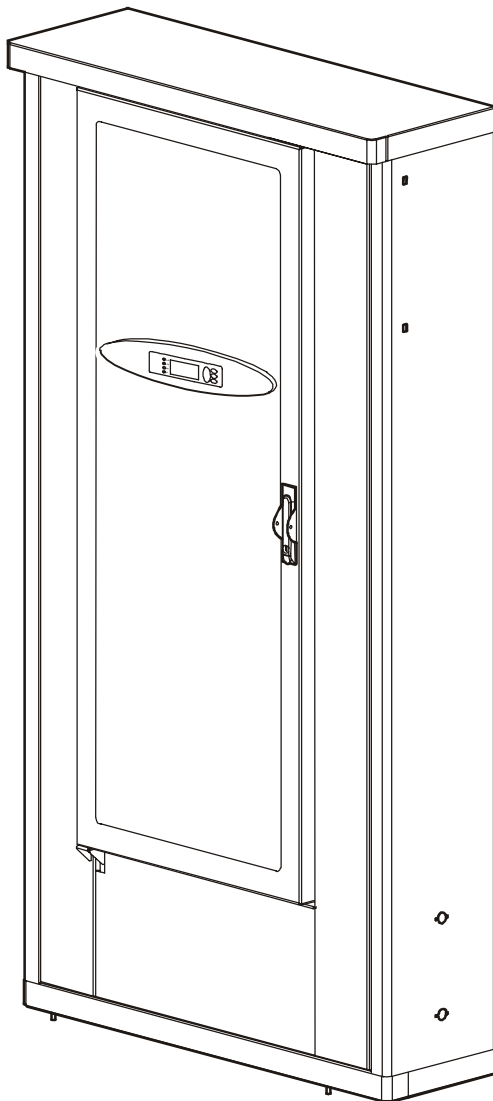


ATS with Power Distribution

Unpacking Instructions



Note

Save these instructions! Follow these important instructions as you receive, unpack, and move the ATS to the installation site.



Safety



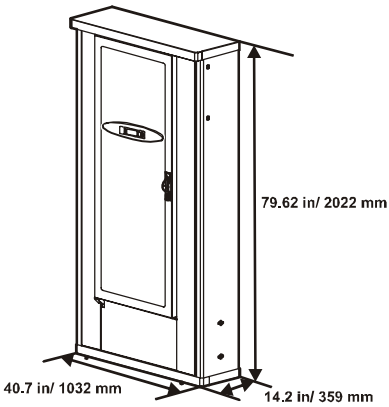
Heavy

Do not lift heavy loads without assistance. Use the following guidelines when lifting or moving equipment:

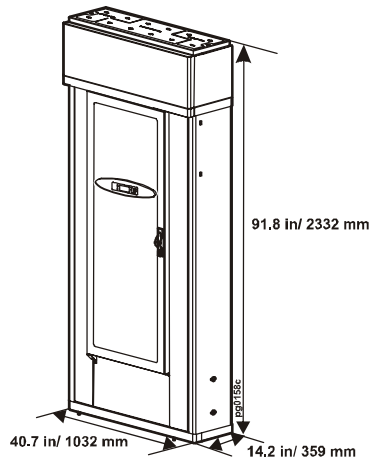
One Person	Two People	Three People	Pallet Jack
<40lb (<18kg)	40–70lb (18–32 kg)	70–120lb (32–54kg)	>120lb (>54kg)

Dimensions

400 A ATS
800 A ATS
(without top wiring box installed)



800 A ATS
(with top wiring box installed)



Weights

Shipping Weight

750 lb (340 kg)

Unpacked Weight

650–725 lb (295–330 kg)

Packaging Notes

Inspect the shipment and verify that the labeled boxes match your purchase order. If you detect any shipping damage, contact APC at a number listed on the last page of this unpacking sheet.



The shipping materials are recyclable. Please reuse or dispose of them appropriately.



Note

The 13/14-mm wrench is packaged in the envelope on the outside of the plastic. Do not discard the envelope before removing the wrench.

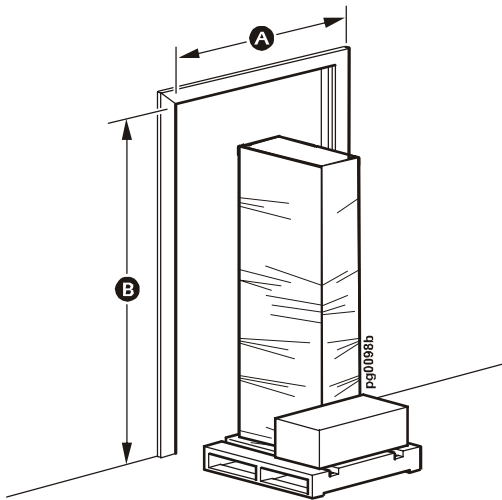
1 Move to the Installation Site



Warning

If entering a doorway that is less than the following specified dimensions, remove the ATS from the pallet. See Section 3 for instructions.

- A** Width of doorway must be greater than 56 in (1422 mm).
- B** Height of doorway must be greater than 87 in (2210 mm).

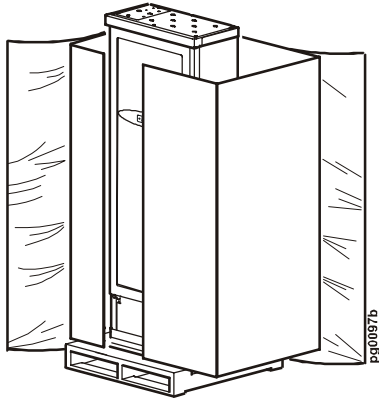


Note

As shown in the illustration above, the top wiring box for the 800A ATS ships attached to the pallet, in a separate box, and must be installed on the ATS.

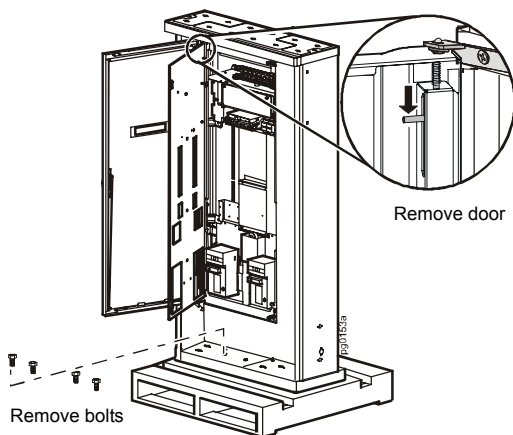
2 Remove Packaging

With the pallet on a firm and level surface, remove the shrink-wrap, cardboard, and plastic bag that protect the ATS.



3 Remove the Enclosure from the Pallet

- 1 Remove the door from the ATS enclosure:
 - A Release the top hinge pin bracket.
 - B Lift the door from the frame.
- 2 Remove the bolts holding the ATS to the pallet, using the 13-mm end of the 13/14-mm wrench (provided).



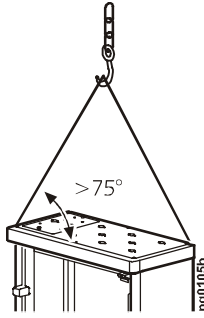
3 Remove the enclosure from the pallet using one of the two following methods:

- Gently rock the enclosure back and forth, stepping it off the pallet.



Use two people to step the ATS enclosure off the pallet.

- Rig the enclosure as shown in the following example, and lift it off of the pallet.



If rigging the enclosure as shown in the illustration above. Be sure to maintain at least a 75° angle.



APC Worldwide Customer Support

Customer support for this or any other APC product is available at no charge in any of the following ways:

- Visit the APC Web site to access documents in the APC Knowledge Base and to submit customer support requests.
 - **www.apc.com** (Corporate Headquarters)
Connect to localized APC Web sites for specific countries, each of which provides customer support information.
 - **www.apc.com/support/**
Global support searching APC Knowledge Base and using e-support.
- Contact an APC Customer Support center by telephone or e-mail.
 - Regional centers:

InfraStruXure U.S., Canada	(1)(877) 537-0607 (toll free)
APC headquarters U.S., Canada	(1)(800)800-4272 (toll free)
Latin America	(1)(401)789-5735 (USA)
Europe, Middle East, Africa	(353)(91)702055 (Ireland)
Australia, New Zealand	(61) (2) 9955 9366
China	(86) (10) 8529 9888
Singapore	(65) 6398 1000
Japan	(0) 3 5434-2021

- Local, country-specific centers: go to **www.apc.com/support/contact** for contact information.

Contact the APC representative or other distributor from whom you purchased your APC product for information on how to obtain local customer support.

Entire contents copyright © 2005 American Power Conversion. All rights reserved. Reproduction in whole or in part without permission is prohibited. APC, the APC logo, and InfraStruXure are trademarks of American Power Conversion Corporation and may be registered in some jurisdictions. All other trademarks, product names, and corporate names are the property of their respective owners and are used for informational purposes only.

