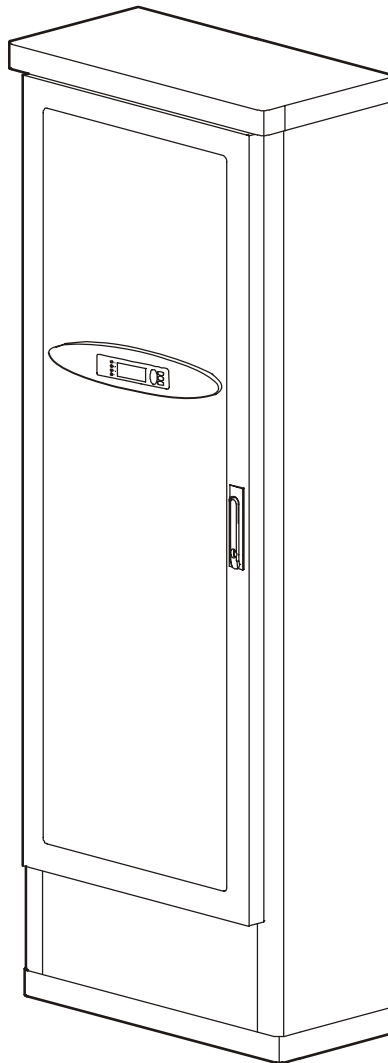


Smart Distribution Panel with ATS

Unpacking Instructions



Note

Save these instructions! Follow these important instructions to receive, unpack, and move the Smart Distribution Panel with Automatic Transfer Switch (ATS) to the installation site.



Safety

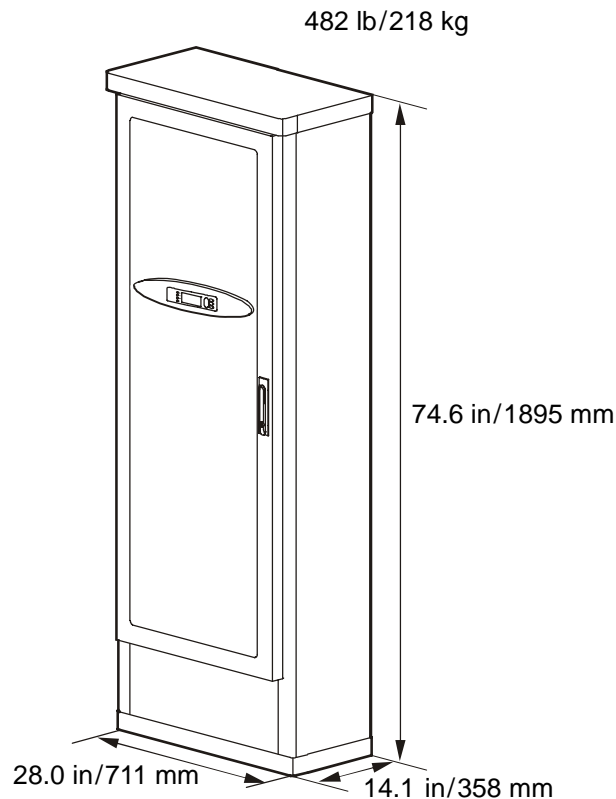


Heavy

Do not lift heavy loads without assistance. Use the following guidelines when lifting or moving equipment:

One Person	Two People	Three People	Pallet Jack
<40 lb (<18 kg)	40–70 lb (18–32 kg)	70–120 lb (32–54 kg)	>120 lb (>54 kg)

Weight and Dimensions



Packaging Notes

Inspect the shipment and verify that the labeled boxes match your purchase order. If you detect any shipping damage, contact APC at a number listed on the last page of this unpacking sheet.



The shipping materials are recyclable. Please reuse or dispose of them appropriately.



Note

The 13/14-mm wrench is packaged in the envelope on the outside of the plastic. Do not discard the envelope before removing the wrench.

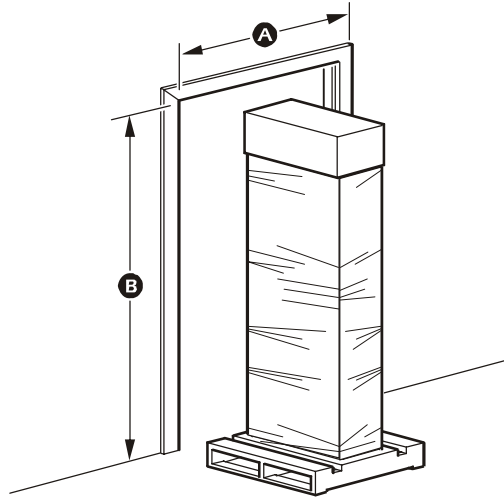
1 Move to the Installation Site



Warning

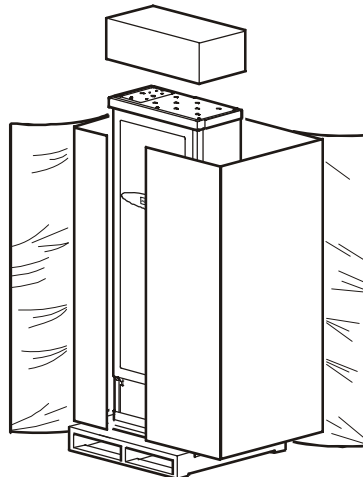
When entering a doorway that is less than the dimensions specified below, remove the ATS from the pallet (see Sections 3 and 4 for instructions).

- Ⓐ Width of doorway must be greater than 48 in (1219 mm).
- Ⓑ Height of doorway must be greater than 82 in (2083 mm).



2 Remove Packaging

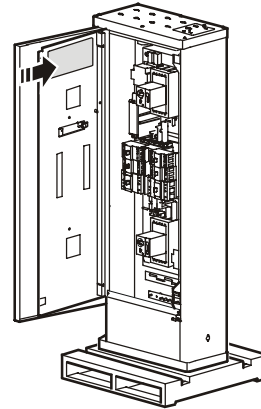
With the pallet on a firm and level surface, remove the shrink-wrap, cardboard, and plastic bag that are protecting the ATS.



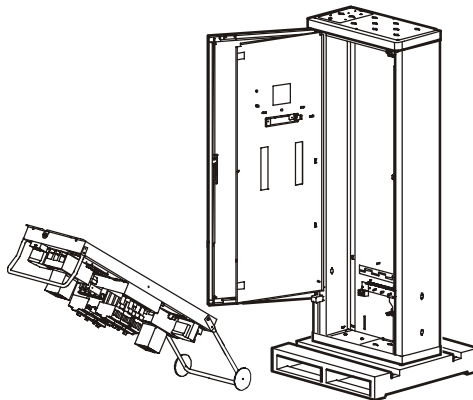
3 Remove the Panel Board from the ATS Enclosure

This step is optional, but it is also recommended.

Removing the panel board from the enclosure will make it easier to remove the ATS from the pallet. For instructions about how to remove the panel board from the ATS enclosure, refer to the instructional label attached to the inside of the ATS dead front (the arrow in the illustration points to the location of the label).

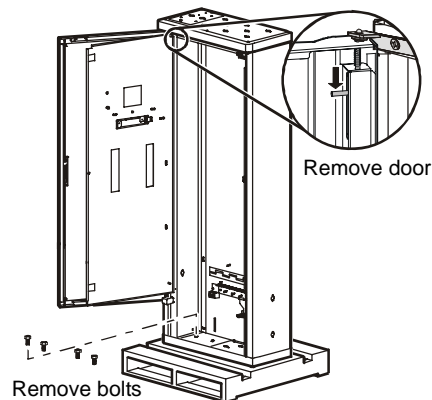


Use two people to remove the panel board from the ATS enclosure.



4 Remove the Enclosure from the Pallet

- 1 Remove the door from the ATS enclosure. Release the top hinge pin bracket and then lift the door from the frame.
- 2 Remove the bolts holding the ATS to the pallet using the 13-mm end of the 13/14-mm wrench (supplied).



3 Remove the enclosure from the pallet using one of these methods:

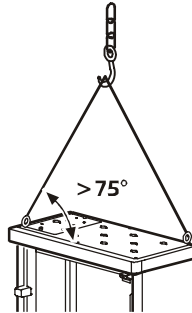
- Manually “walk” the enclosure from the pallet by rocking it gently back and forth, all the while advancing the enclosure forward.



Heavy

Use two people to “walk” the enclosure from the pallet.

- Lift the enclosure off the pallet and onto the floor using the eye bolts included with the ATS and rigging supplied by the customer.



Caution

If rigging the enclosure, as shown in the illustration above, be sure to maintain at least a 75-degree angle.



APC Worldwide Customer Support

Customer support for this or any other APC product is available at no charge in any of the following ways:

- Visit the APC Web site to access documents in the APC Knowledge Base and to submit customer support requests.
 - **www.apc.com** (Corporate Headquarters)
Connect to localized APC Web sites for specific countries, each of which provides customer support information.
 - **www.apc.com/support/**
Global support searching APC Knowledge Base and using e-support.
- Contact an APC Customer Support center by telephone or e-mail.
 - Regional centers:

InfraStruXure U.S., Canada	(1)(877) 537-0607 (toll free)
APC headquarters U.S., Canada	(1)(800)800-4272 (toll free)
Latin America	(1)(401)789-5735 (USA)
Europe, Middle East, Africa	(353)(91)702055 (Ireland)
Australia, New Zealand	(61) (2) 9955 9366
China	(86) (10) 8529 9888
Singapore	(65) 6398 1000
Japan	(0) 35434-2021

- Local, country-specific centers: go to **www.apc.com/support/contact** for contact information.

Contact the APC representative or other distributor from whom you purchased your APC product for information on how to obtain local customer support.

Entire contents copyright © 2007 American Power Conversion. All rights reserved.
Reproduction in whole or in part without permission is prohibited. APC, the APC logo, and InfraStruXure are trademarks of American Power Conversion Corporation. All other trademarks, product names, and corporate names are the property of their respective owners and are used for informational purposes only.

