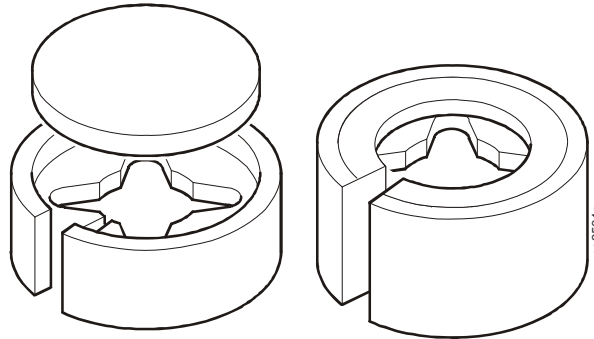


InfraStruXure[®] Cooling Distribution Unit Flange Insulation Kit – Installation



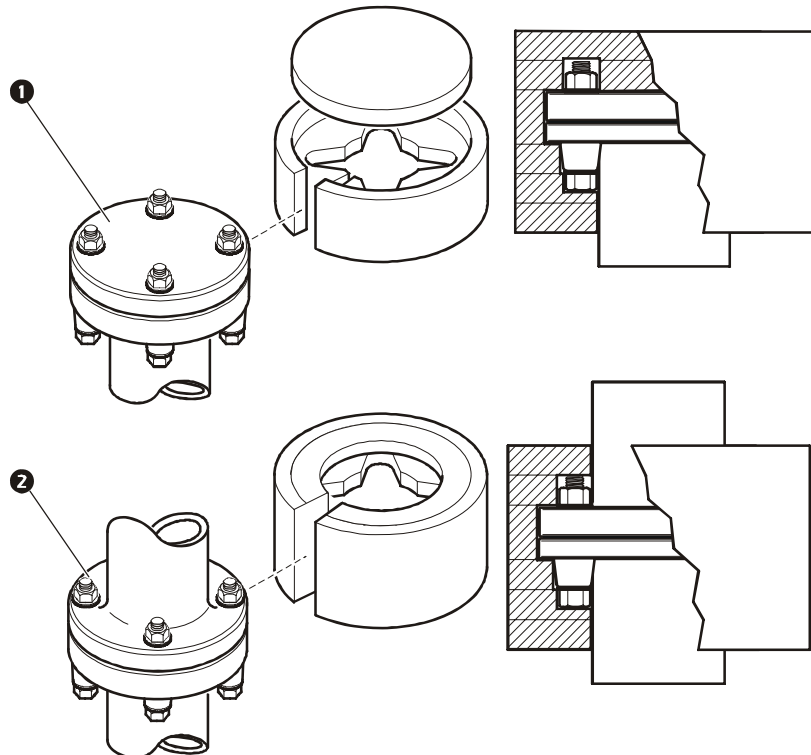
Note: Use this information sheet with your InfraStruXure Cooling Distribution Unit (CDU) Installation Manual.

Inventory:

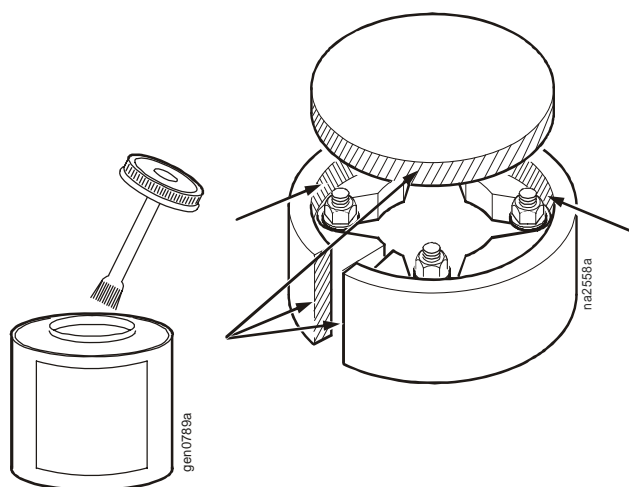


Installation:

The insulation boots provided in this kit are made to fit one flange that has a cap installed **1** and one flange that has a chilled water line installed **2**.



Use a low-VOC (Volatile Organic Compounds), black contact adhesive specifically designed for joining seams in pipe insulation. The black color helps achieve a neater installation. Apply a thin coat of adhesive to both surfaces. Allow the adhesive to dry but still be tacky to the touch before attempting to press the surfaces together. Position the pieces accurately when contact is made. Apply moderate pressure over the entire area to ensure the seam is sealed.



Customer support and warranty information is available at the APC Web site, www.apc.com.

© 2007 American Power Conversion. All rights reserved. All APC trademarks are property of American Power Conversion. Other trademarks are property of their respective owners.

990-3126
04/2007

