

InfraStruXure[®] Cooling Distribution Unit Dielectric Flange Kit

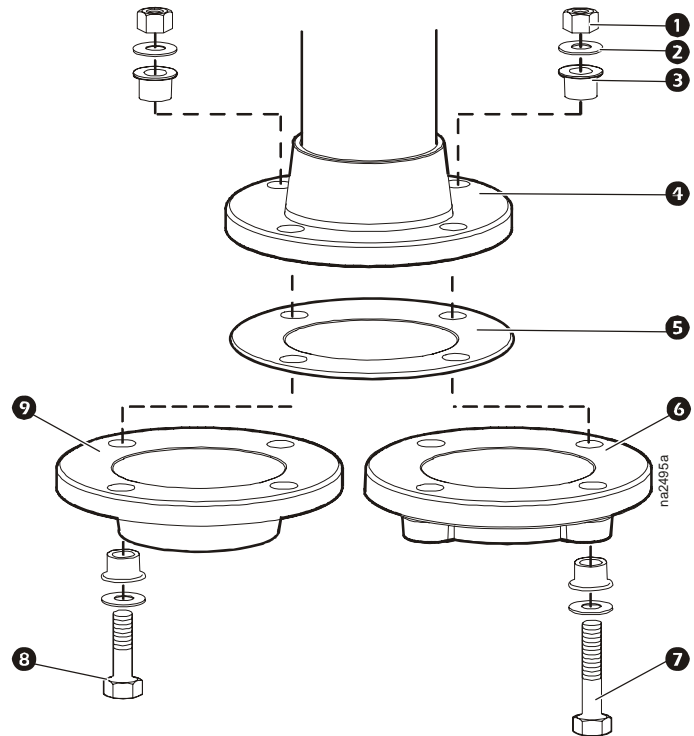


Note: Use this information sheet with your InfraStruXure Cooling Distribution Unit (CDU) Installation Manual.

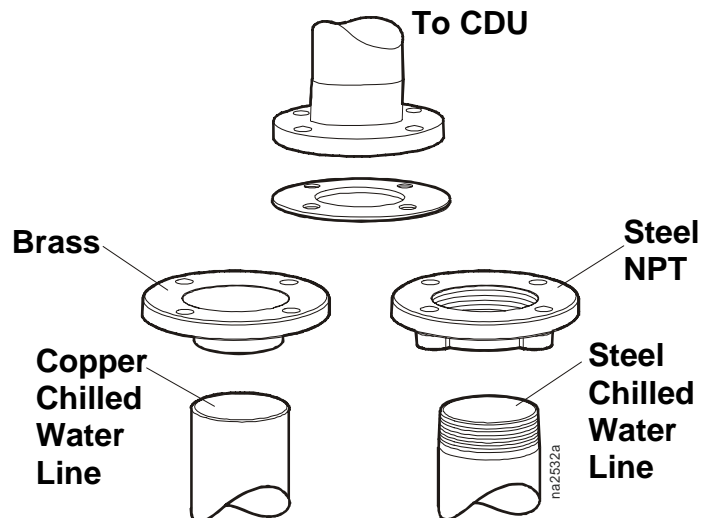
Dielectric flange kits. Use the appropriate flange for your water system piping material.

Contents

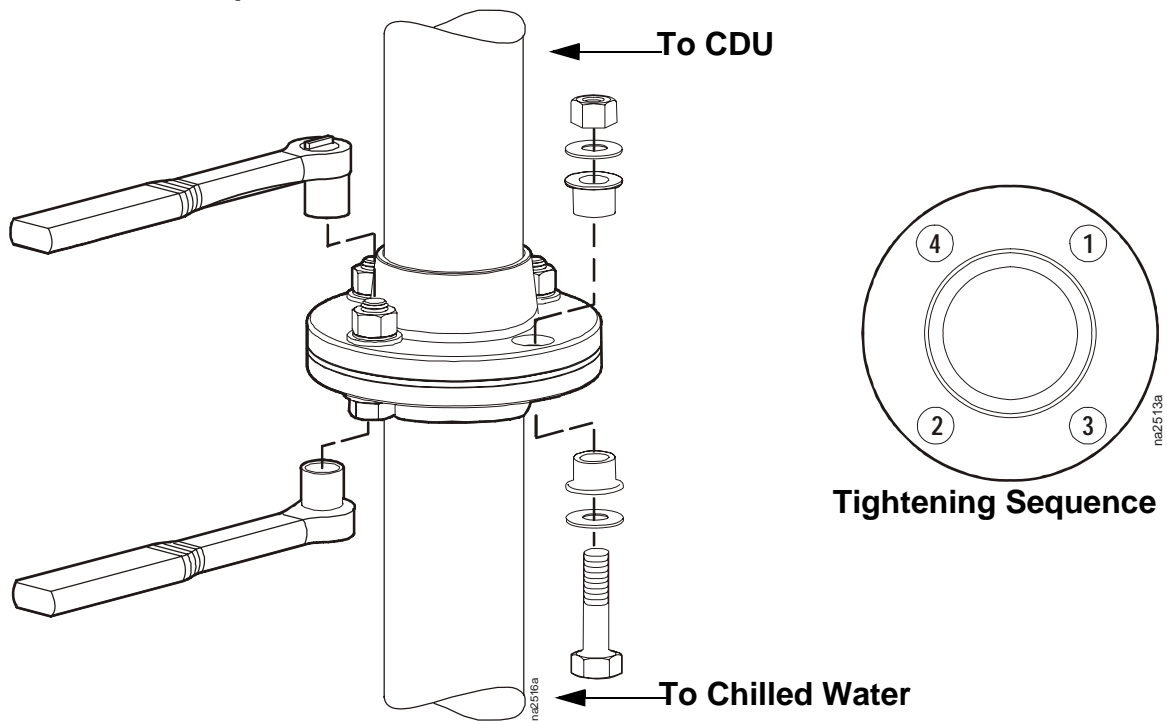
Item	Description
1	Nut
2	Washer
3	Insert
4	CDU connection flange
5	Gasket
6	Steel flange
7	3 in bolt (use with steel flange)
8	2.25 in bolt (use with brass flange)
9	Brass flange



Proper connection:



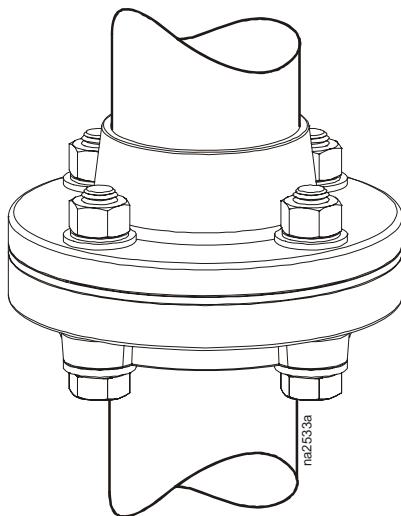
Connection example :



Torque Requirements:

Tighten flange bolts to 90 ft. lbs. (122 N-m) using a torque wrench.

Torque Wrench



90 Ft. Lbs. (122 N-m)



Customer support and warranty information is available at the APC Web site, www.apc.com.
© 2007 American Power Conversion. All rights reserved. All APC trademarks are property of American Power Conversion. Other trademarks are property of their respective owners.

990-3111
04/2007

