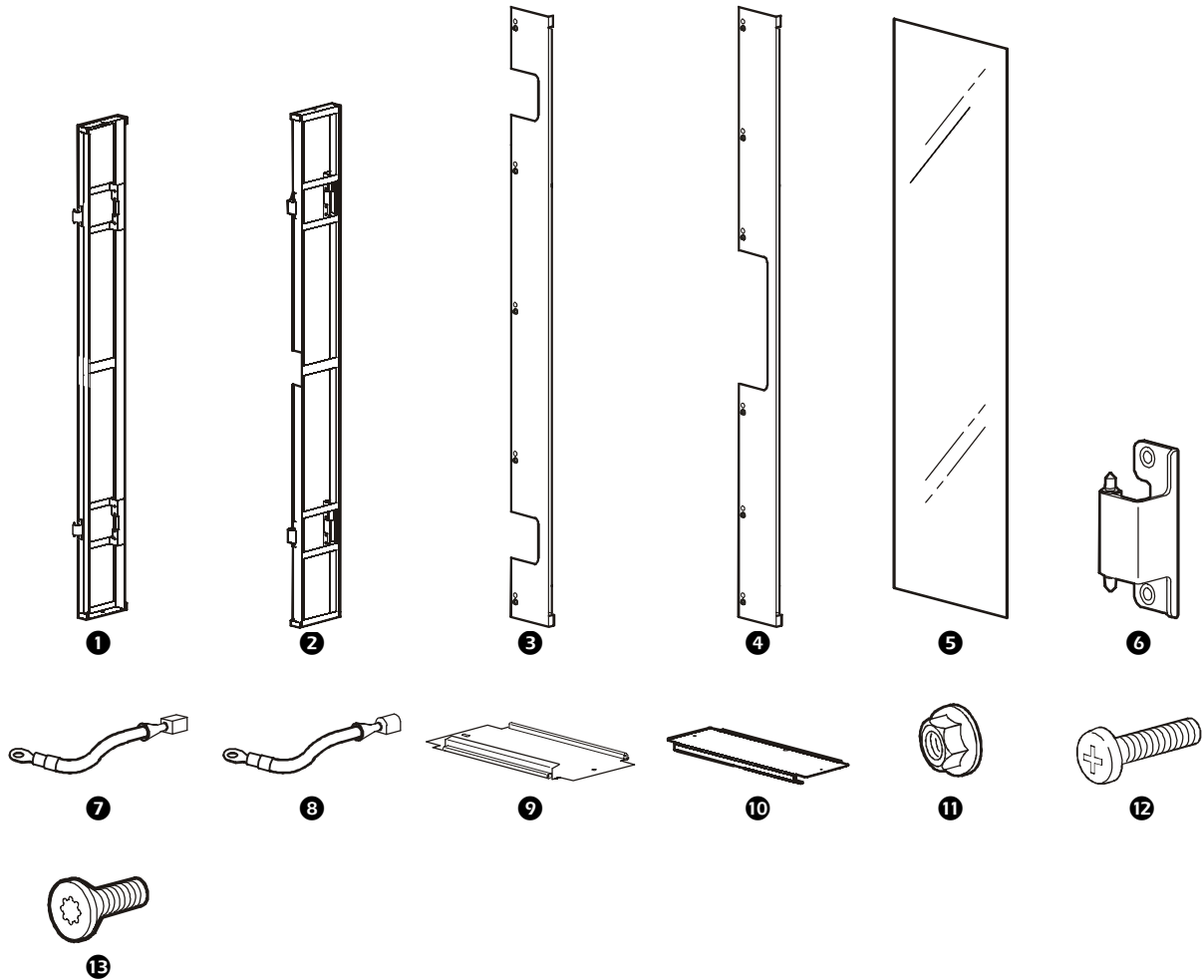
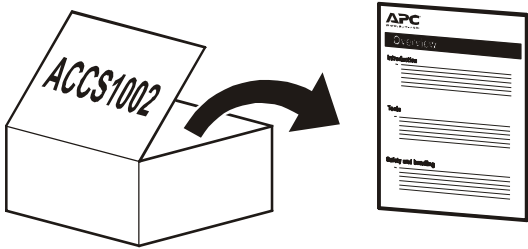


Rack Air Containment Front Assembly for 42-U 600-mm Wide NetShelter[®] SX (ACCS1005)—Installation



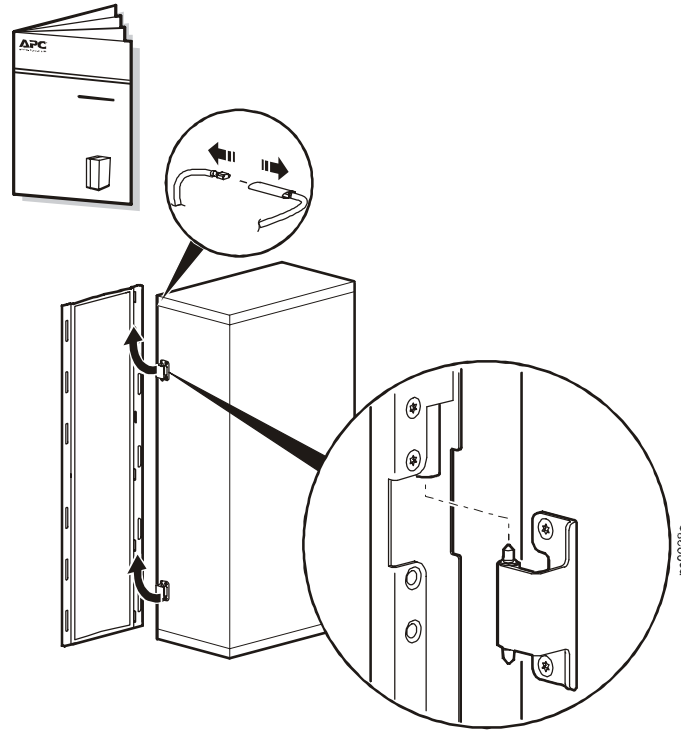
Item	Description	Quantity
1	Left side plenum	1
2	Right side plenum	1
3	Bracket insert, hinge side	1
4	Bracket insert, latch side	1
5	Front door Lexan [®] insert	1
6	Hinges	2
7	Grounding wire, female	1
8	Grounding wire, male	1
9	Bottom plenum	1
10	Top plenum	1
11	M6 flanged hex nuts	5
12	M4 × 12-mm pan head screw	1
13	M6 × 12-mm flat head screws	4

1



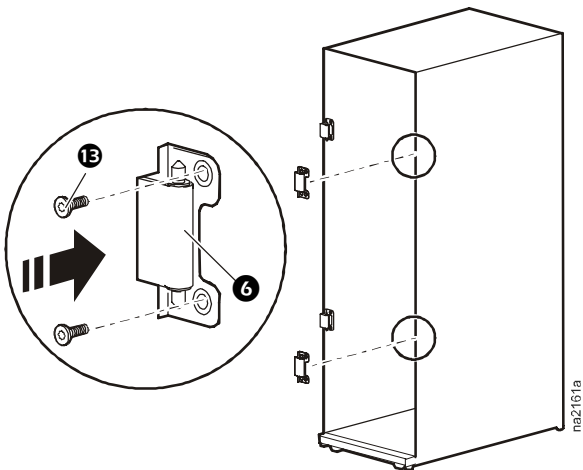
gen0731a

2



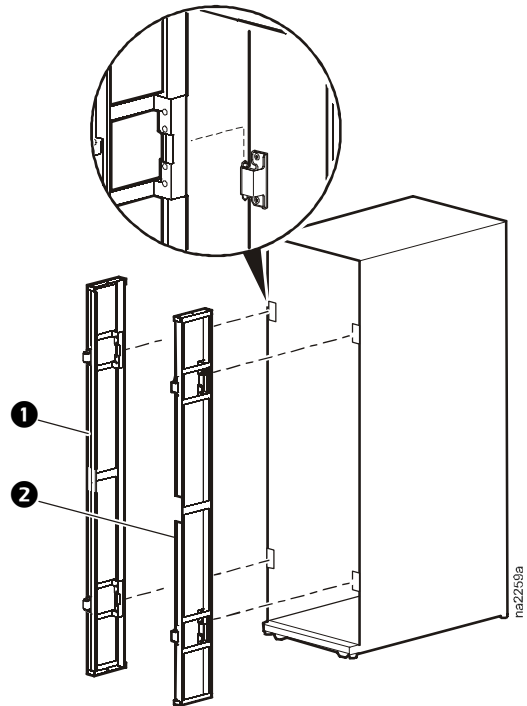
ns0928a

3



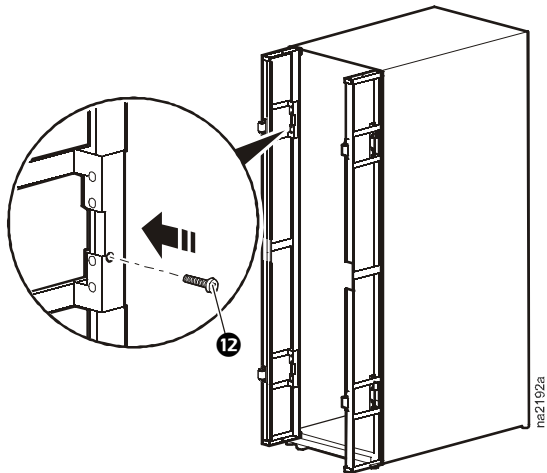
na2161a

4

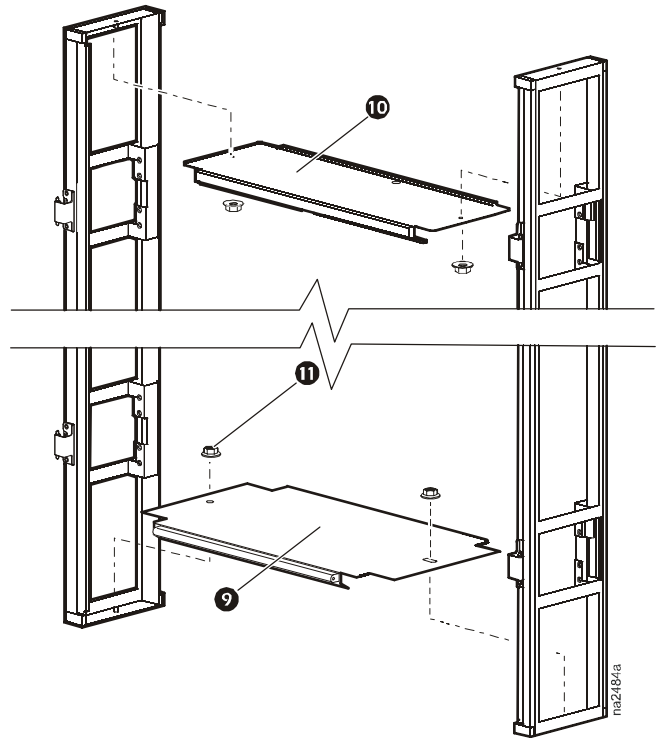


na2269a

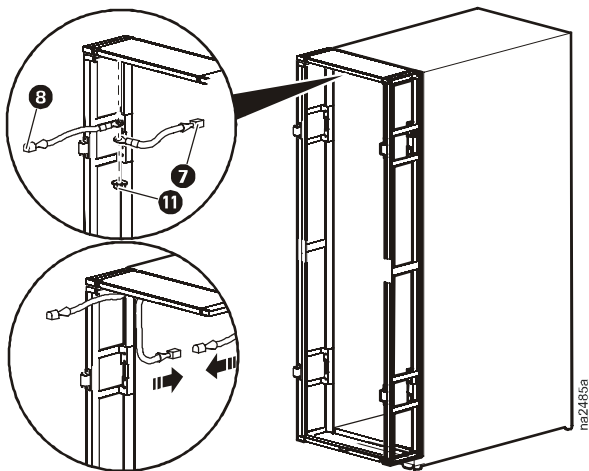
5



6



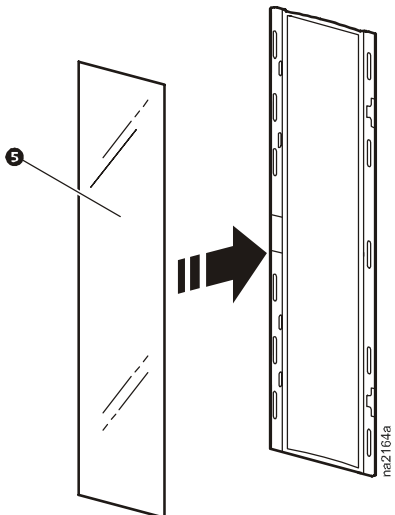
7



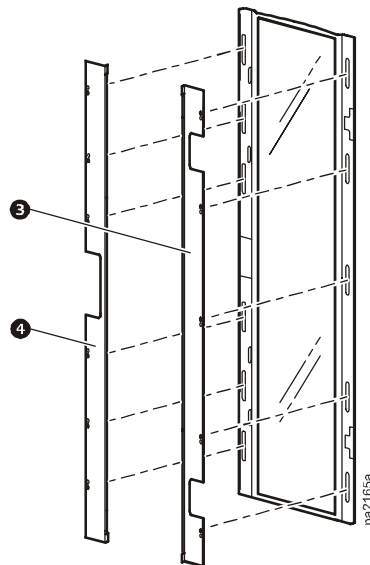
8



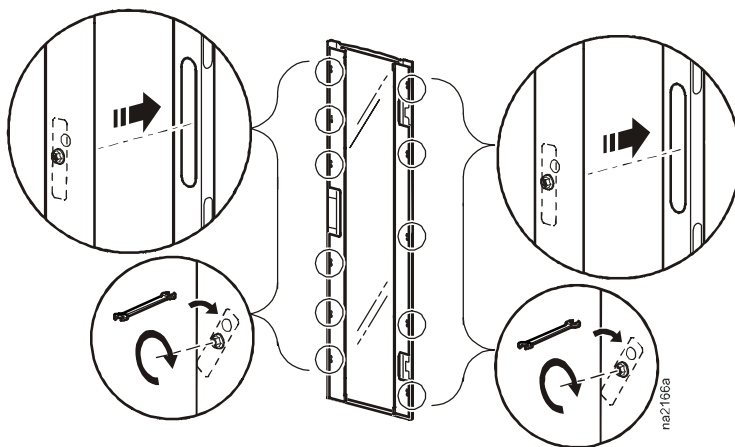
9



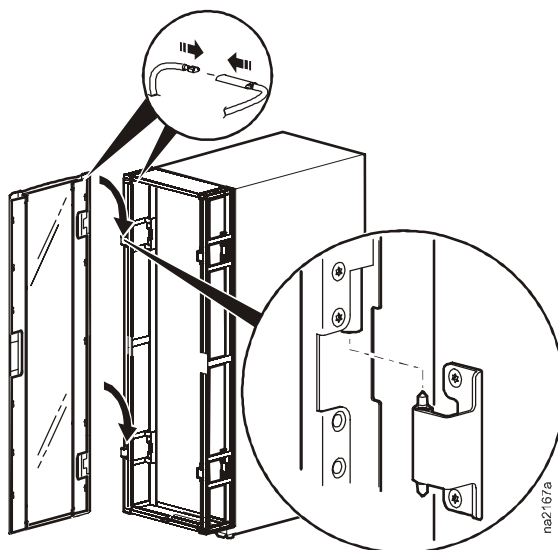
10



11



12



Customer support and warranty information is available at the APC Web site, www.apc.com.

© 2007 American Power Conversion. All rights reserved. All APC trademarks are property of American Power Conversion. Other trademarks are property of their respective owners.

990-2863B-001
01/2007

