

Safety and Handling Information—English

Save This Guide For Future Reference

This Safety Guide contains important instructions that should be followed during installation and maintenance of Schneider Electric equipment. It is intended for Schneider Electric customers who set up, install, relocate, or maintain Schneider Electric equipment.

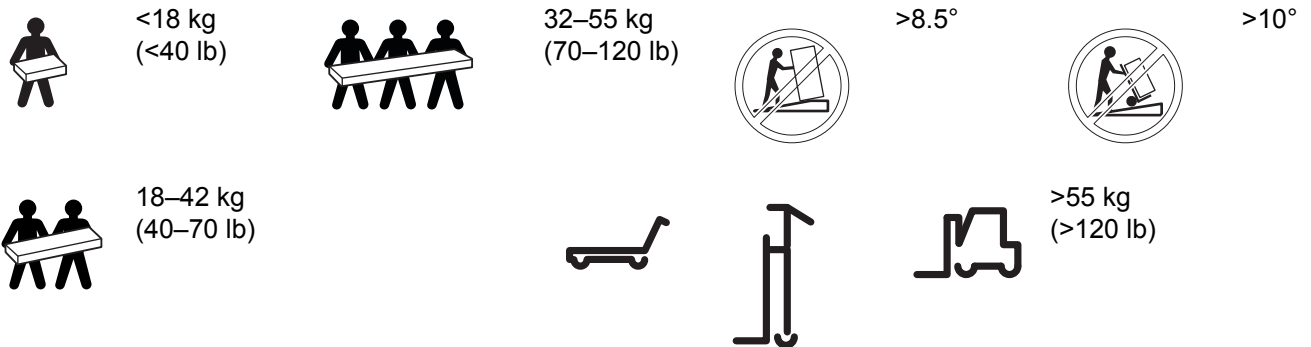
NOTICE
<p>STATEMENT OF HAZARD</p> <p>Changes and modifications to this unit not expressly approved by Schneider Electric could void the warranty.</p> <p>Failure to follow these instructions can result in equipment damage.</p>



Refer to the installation instructions and unpacking sheets that come with your equipment for further safety and handling information.

Handling Safety

- The unit has a high center-of-gravity. Use extreme caution to prevent tipping when unpacking or moving the unit to its final location.
- Refer to the documentation that comes with this equipment for approved moving tools.
- This equipment is heavy. Use the proper equipment to move it.
- Do not attempt to lift or move this equipment without assistance.
- When using a forklift to move the equipment, make sure to lift only from the bottom.



- Leaving the equipment uncovered and exposed to the elements will damage the unit and void the factory warranty.
- For safety reasons and to prevent damage to the equipment, when it is possible, leave the equipment on the skid until you are ready to place it in its final location.

Caution

- Failure to properly install piping may result in improper equipment operation.
- Use code-compliant piping practices when installing the condensate drain line.
- Use code-compliant fasteners to secure the unit to the floor.
- Do not ever mix other brands' fittings or tubing with the products supplied by Schneider Electric.
- Do not overtighten the couplings that connect the pipe fittings. Doing so may deform the threads and create possible leaks.
- Do not exceed the lift or the run length of the drain system.
- All work should be performed by Schneider Electric-authorized personnel only.
- Keep your hands, clothing, and jewelry away from moving parts.
- Check the equipment for foreign objects before starting.
- Circuit boards contained within the unit are sensitive to static electricity. Whenever possible, touch only the end-plates while using one or more of these Electro-Static Discharge devices (ESDs) while handling the boards: wrist straps, heel straps, toe straps, or conductive shoes. Failure to do so may cause damage to the board and improper operation of the unit.
- For computer-room use only.
- Inspect the equipment for damage before installation.
- Check that the power cord plugs and sockets are in good condition before installation.
- Do not apply power to the equipment until the installation is complete.

Electrical Safety

- All work should be performed by Schneider Electric-authorized personnel only. Potentially dangerous and lethal voltages exist within this equipment. More than one disconnect switch may be required to energize or de-energize this equipment. Observe all cautions and warnings. Failure to do so could result in serious injury or death. Only qualified service and maintenance personnel should attempt to work on this equipment.
- Follow all local and national codes when installing this system.
- Only a licensed electrician or Schneider Electric Field Service Engineer may connect equipment to UPS power.
- Do not wear jewelry when working near energized components.
- For indoor use only.
- Use a voltmeter to ensure that power is turned off before making any electrical connections.
- Based on local conditions, either single phase or 3-phase service may be required. Electrical service must conform to national and local electrical codes. This equipment is grounded through the power cord. Check the equipment nameplate for correct minimum circuit ampacity (MCA) and maximum overcurrent protection (MOP).
- All input and output connections should be wired as Class 2 circuits.
- Wired equipment has no cord through which to be grounded.

- Plug-connected equipment only carries a single current rating.
- Hard-wired equipment should be on a separate line from plug-connected equipment.
- This equipment may have multiple power sources. Disconnect all power sources before servicing
- For hard-wired products, refer to the electrical schematic, located on the lid of the electrical box, for all electrical connections.
- Make sure to follow your site's lock out/tag out procedures while servicing this equipment.

Customer support and warranty information is available at the Schneider Electric Web site,
www.schneider-electric.com.

As standards, specifications, and designs change from time to time, please ask for confirmation of the
information given in this publication.
All trademarks owned by Schneider Electric Industries SAS or its affiliated companies.

990-2882A-001
10/2014