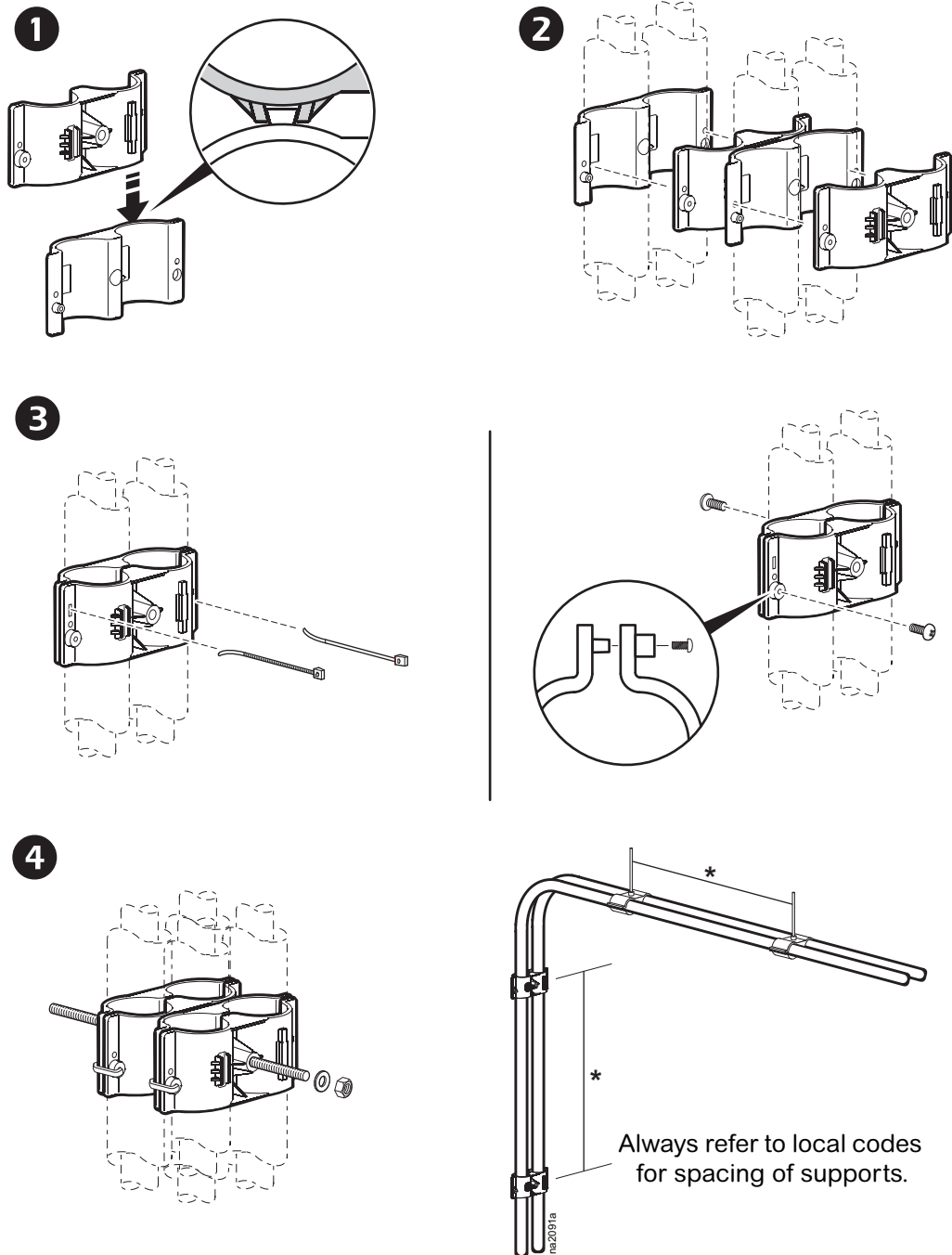


# PEX Piping Clamp Installation—ACAC20007, ACAC20008



Customer support and warranty information is available at the Schneider Electric Web site, [www.schneider-electric.com](http://www.schneider-electric.com).

As standards, specifications, and designs change from time to time, please ask for confirmation of the information given in this publication.

All trademarks owned by Schneider Electric Industries SAS or its affiliated companies.