

## ACAC10041—Rackmount 3.5-kW Touch Screen Display Interface

### Safety

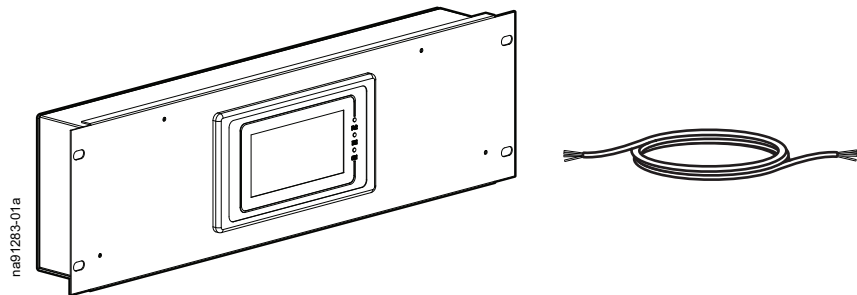
#### **NOTICE**

##### **DAMAGE TO EQUIPMENT**

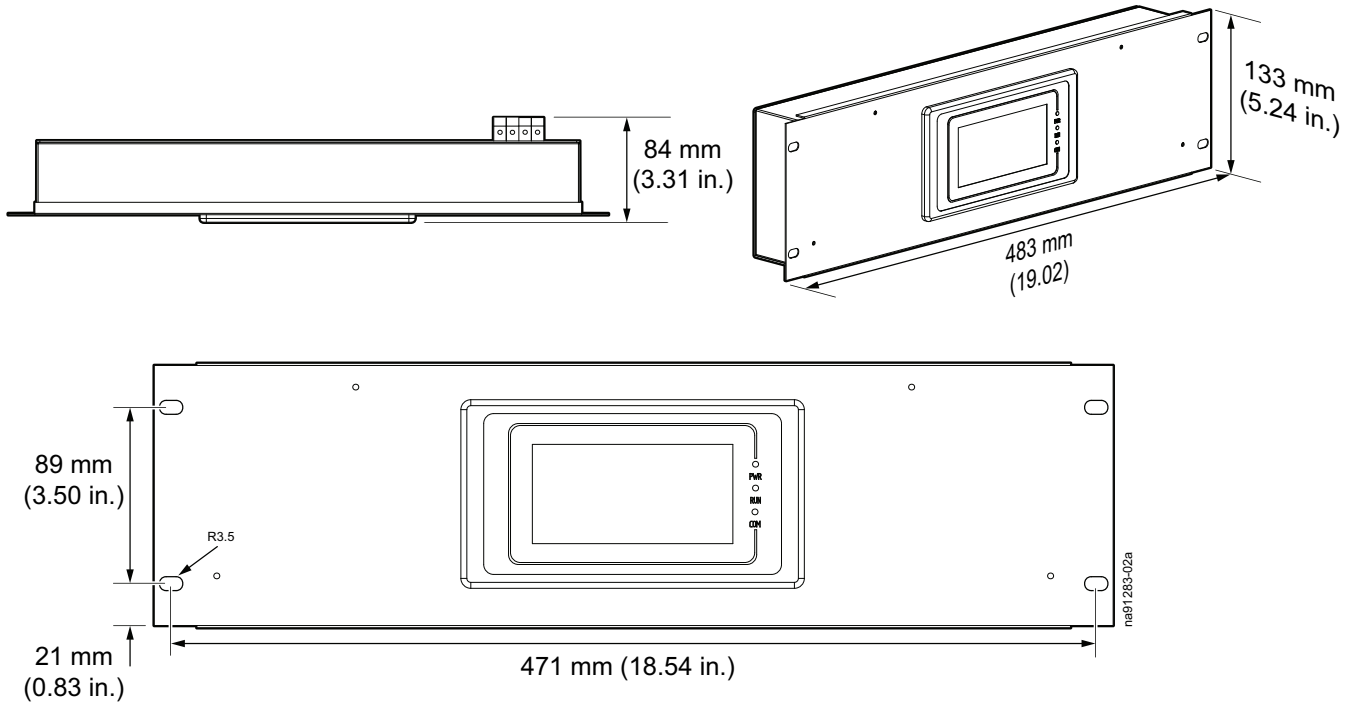
- Electrical equipment must be installed, operated, serviced, and maintained only by qualified personnel.
- Electrical service must conform to local and national electrical codes and regulations.
- Cables should not be in contact with high temperature objects (copper pipes and water pipes without thermal insulation) in order to avoid damaging the insulation layer.

**Failure to follow these instructions can result in equipment damage.**

### Inventory



# Dimensions

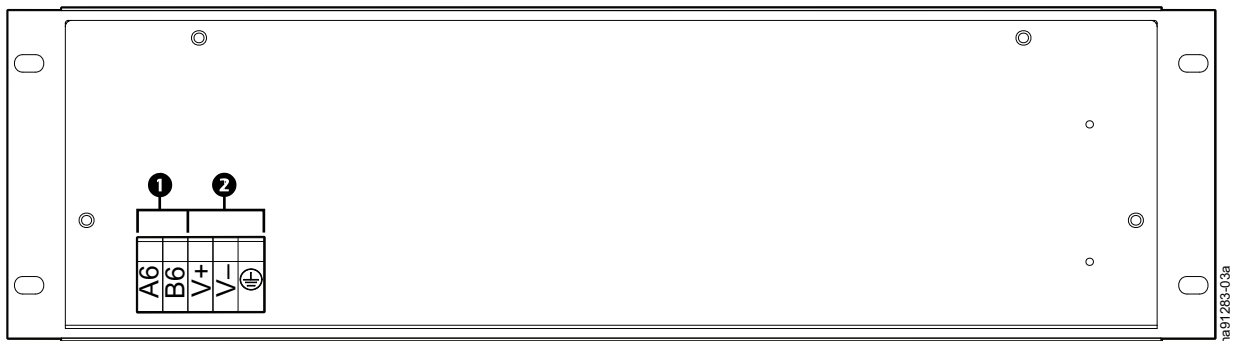


# Installation

**NOTE:** The display interface requires 2 U of space in the rack cabinet.

1. Connect the cable to the power connection on the rear of the display interface (2), and make the communication connections from the rear of the display interface (1) to the indoor unit (connections A6, B6).

**NOTE:** Avoid contacting copper pipes with the wiring.



2. Use four M5 screws to install the display interface in the rack cabinet.
3. Install blind plates above and below the display interface if required.