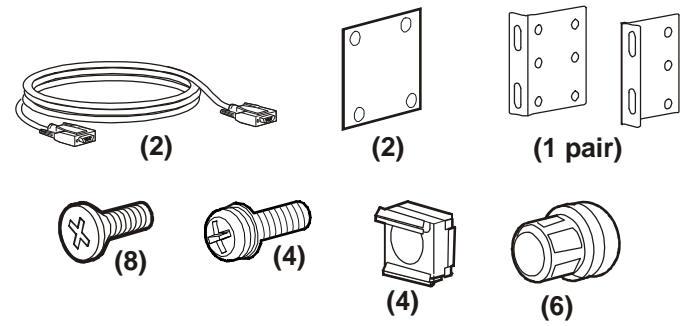
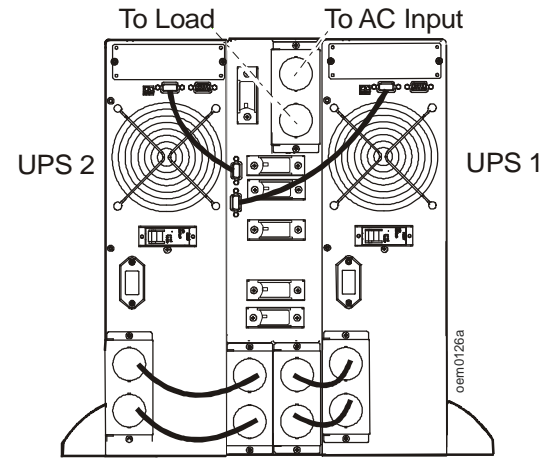


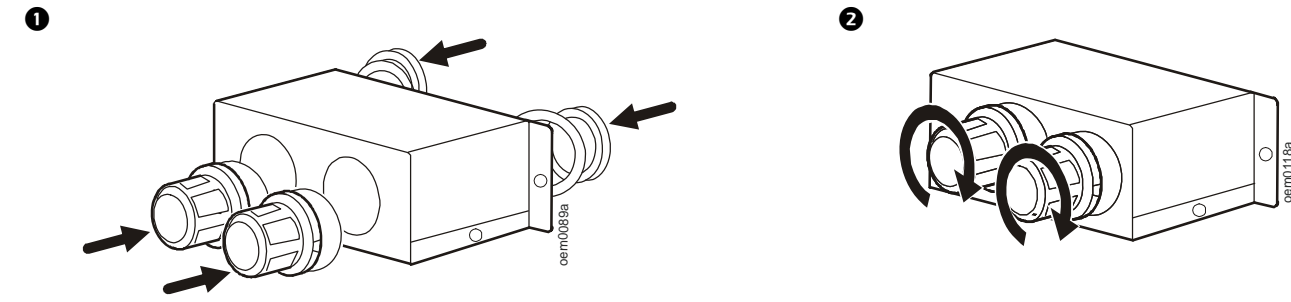
Inventory



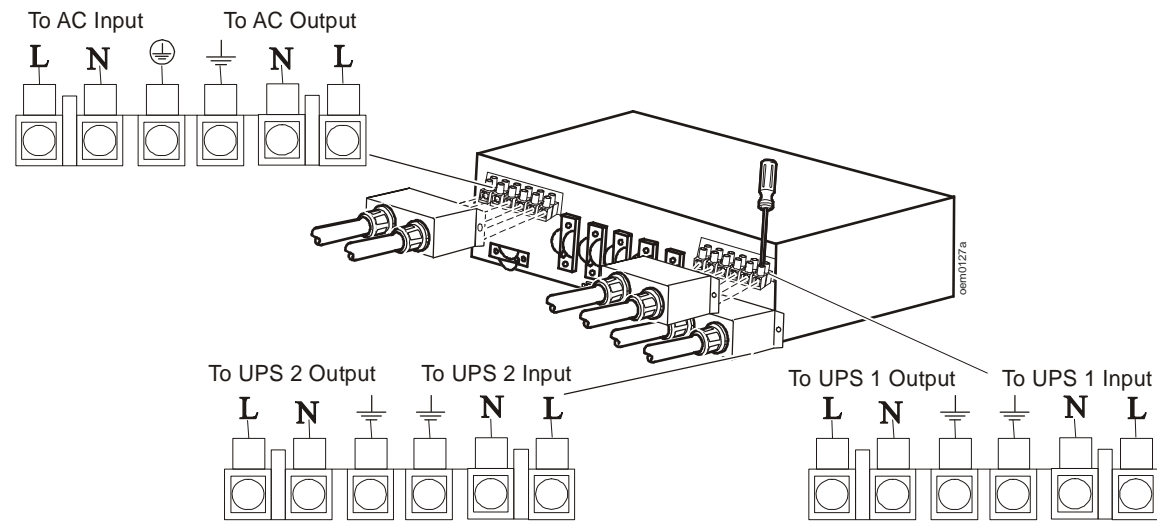
Overview



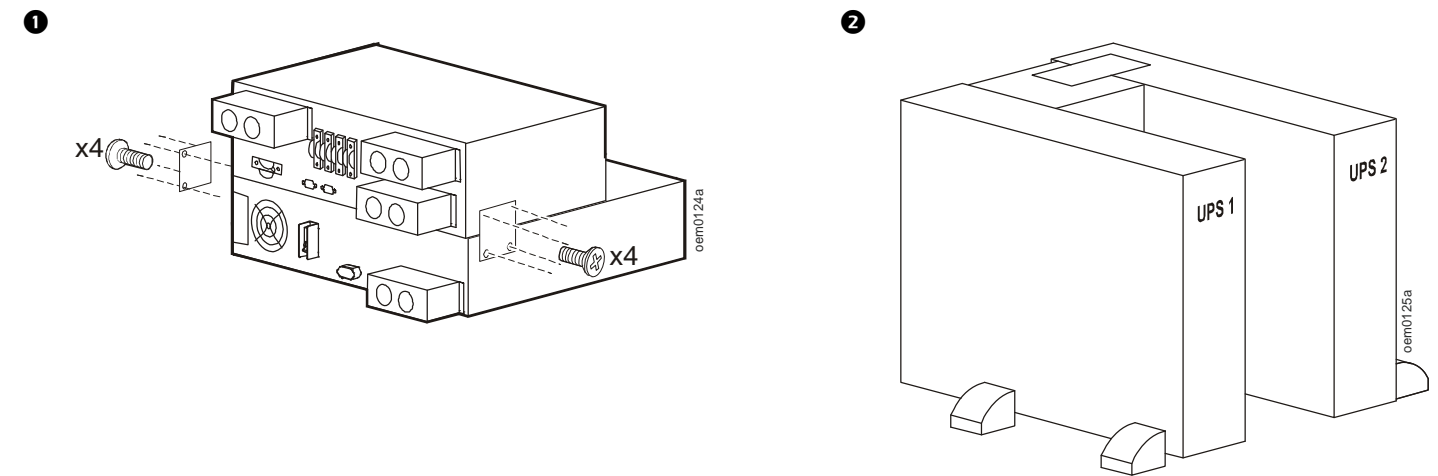
Install the strain relief



Hardwire the PDU



Tower Configuration



Rack Configuration

