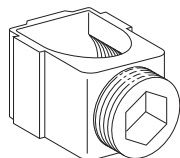
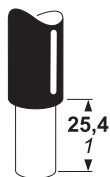


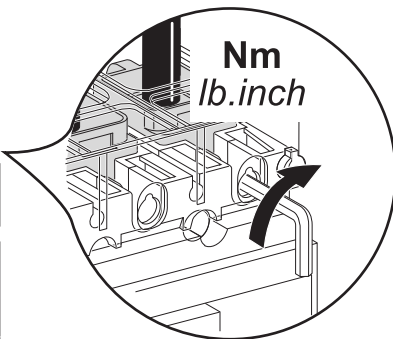
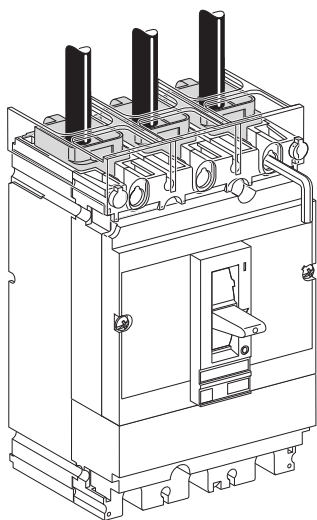
996 197AG
ANNEXE POUR COUPLE
DE SERRAGE DES
BORNES ALUMINIUM


*Annexe for tightening
torque for aluminium
connecting terminal*

mm
Inch

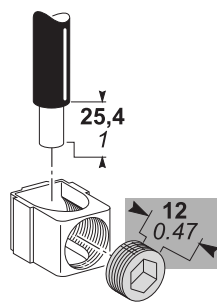
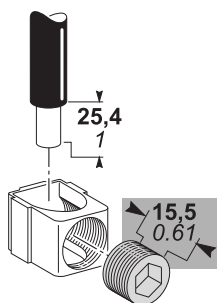


8
5/16



NS100-250		
	NS100/250 25 → 95 mm ²	NS100/250 120 → 185 mm ²
x2	29255	29247
x3	29227	29259
x4	29228	29260

mm
Inch



Section des cables <i>Cable cross-section</i>	Couple de serrage <i>Tightening torque</i>	Section des cables <i>Cable cross-section</i>	Couple de serrage <i>Tightening torque</i>
25 mm² → 50 mm² Cu, Al 4 AWG → 1/0 AWG Cu / Al9 Cu	20 Nm 180 lb.inch	120 mm² → 185 mm² Cu, Al 250 kcmil → 350 kcmil Cu / Al9 Cu	26 Nm 225 lb.inch
70 mm² → 95 mm² Cu, Al 2/0 AWG → 4/0 AWG Cu / Al9 Cu	26 Nm 225 lb.inch		