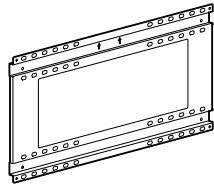


Wall Mounting Bracket AR8799 for NS WX Low-profile Cabinet

Inventory



Wall mounting bracket (1)



Screw, T30,
M6 x 12 (4)

Installation

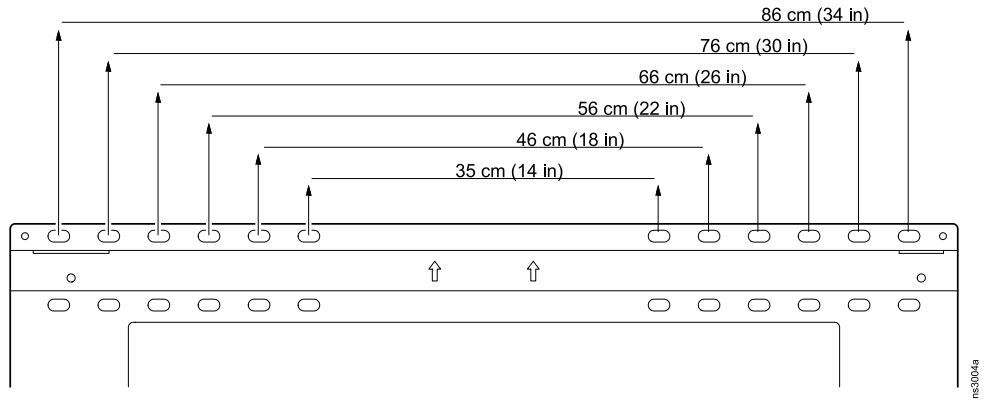
⚠ WARNING

UNSECURED EQUIPMENT FALLING HAZARD

- Installation must be performed by qualified personnel.
- Use at least two people to lift the cabinet and follow site-specific requirements for lifting.
- Follow local and national building codes.
- The wall mounting bracket must be secured to the wall with at least four fasteners (see step 4).
- The cabinet must be attached to the wall mounting bracket with all four T30 screws (see step 6). The cabinet is designed to support loads only with all four T30 screws installed.

Failure to follow these instructions can result in death, serious injury, or equipment damage.

The holes on the wall mounting bracket will accommodate up to a 10 mm (3/8 in) bolt. The centers of adjacent holes are 51 mm (2 in) apart, and the centers of the middle holes are 356 mm (14 in) apart. The bracket can be mounted on studs with standard 406 mm (16 in) centers or 610 mm (24 in) centers.



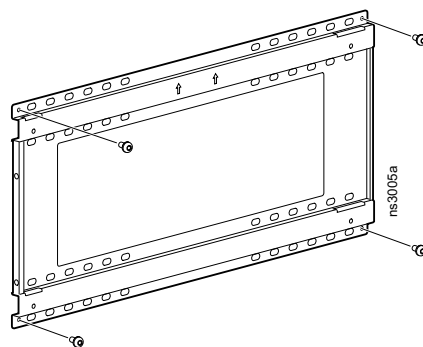
Unless mounting on concrete or cinder block, you must mount the bracket on at least two studs, centered to the best of your ability. Secure the bracket with at least four fasteners. Follow local and national building codes, and ensure your mounting surface and fasteners can support the weight of the loaded cabinet and all attached equipment.

You will need the following items (not provided):

- 6U WX Low-profile cabinet
- stud finder (only needed for mounting on studs)
- four drywall screws (only needed for temporary bracket mounting in step 2)
- level
- at least four fasteners and four washers appropriate for your wall type
- cordless drill and appropriate drill bit
- material lift (recommended)

Procedure

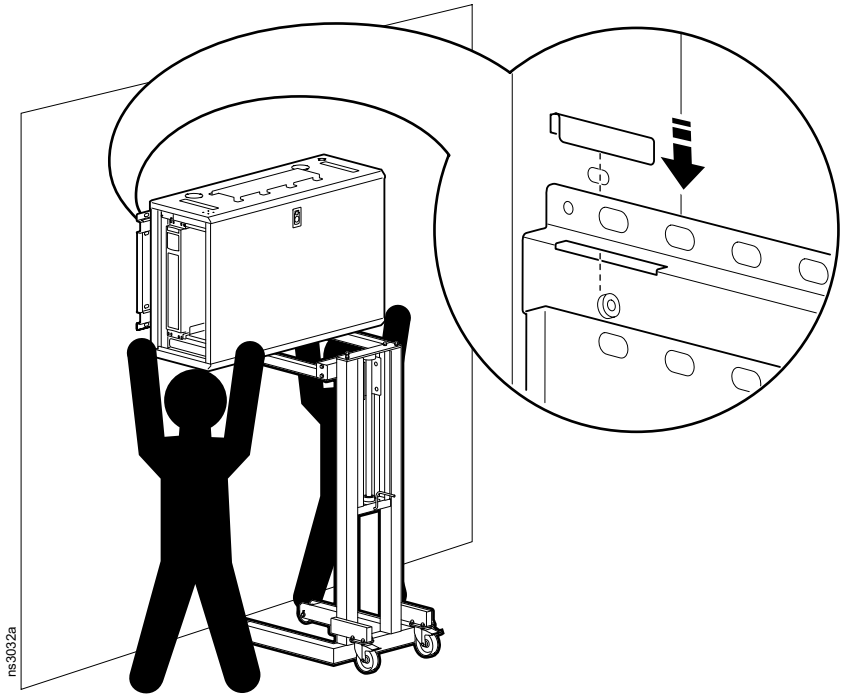
1. Remove the front and rear panels from your cabinet.
2. **NOTE:** Skip this step for concrete or cinder block walls. Use a stud finder to locate and mark at least two wall studs. Hold the bracket to the wall so that four fastener holes are aligned with the studs. Ensure the bracket is level and install four drywall screws as shown.



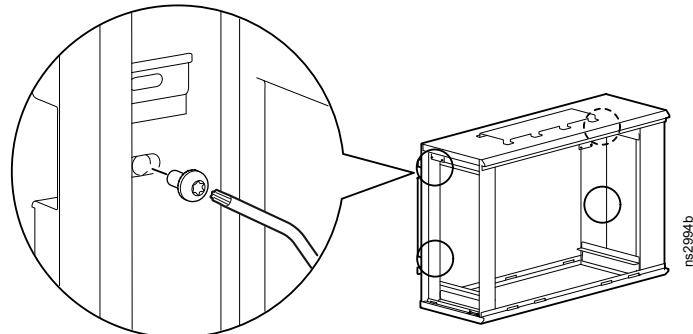
NOTE: The drywall screws will hold the bracket in position while you secure the bracket so that it can bear the weight of the cabinet. Do not put any weight on the bracket at this time.

3. Drill at least four pilot holes where fastener holes in the bracket align with the wall studs.

4. Install the appropriate fastener for your wall-type into each pilot hole. Leave about 13 mm (1/2 in) of each fastener out of the wall. When all four fasteners are in place, tighten them to secure the bracket against the wall.
5. Hang the cabinet by all four tabs on the wall mounting bracket. It is recommended that you use a material lift or other lifting device to raise the cabinet up to the wall mounting bracket. Then use at least two people to guide the cabinet onto the bracket.



6. Install the four T30 screws to secure the cabinet to the wall mounting bracket.



7. Re-attach and lock the front and rear panels.