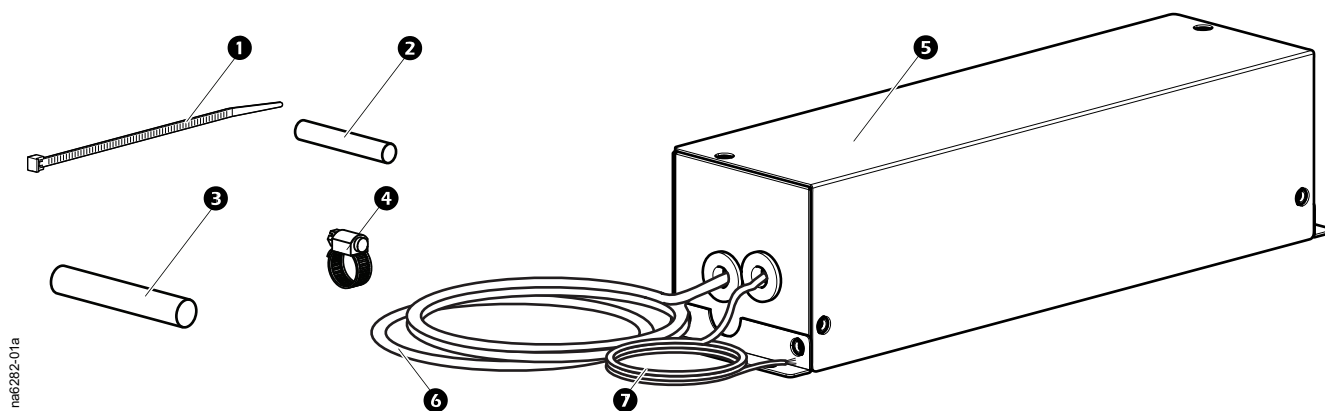


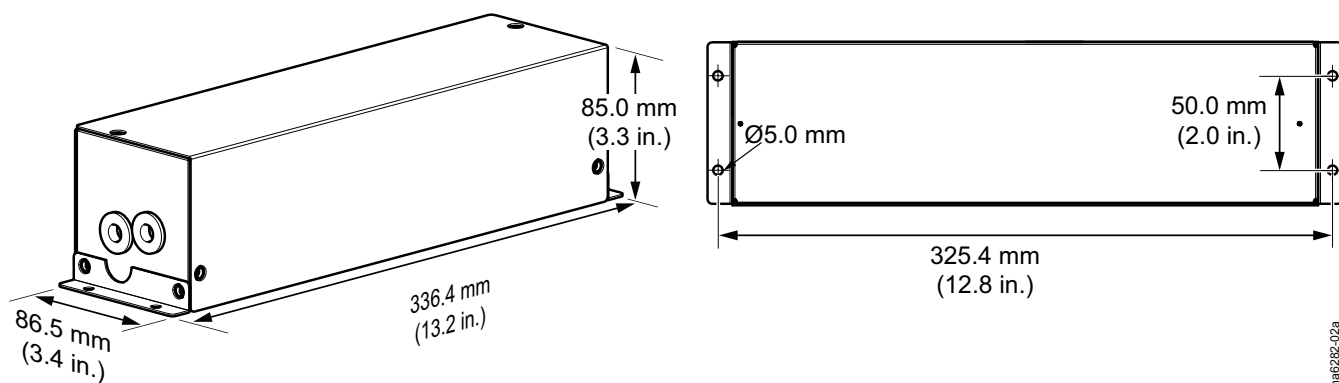
## ACAC10046—Uniflair™ RM Condensate Drain Pump

### Inventory



Item	Description
1	Wire ties (4)
2	Copper adapter
3	Inlet hose
4	Hose clamp
5	Condensate pump
6	Drain hose
7	Power and communication connection cable

### Dimensions



# Installation

## NOTICE

### DAMAGE TO EQUIPMENT

- Electrical equipment must be installed, operated, serviced, and maintained only by qualified personnel.
- Electrical service must conform to local and national electrical codes and regulations.
- Cables should not be in contact with high temperature objects (copper pipes and water pipes without thermal insulation) in order to avoid damaging the insulation layer.

**Failure to follow these instructions can result in equipment damage.**

**NOTE:** Some components not shown for easier viewing.

**NOTE:** The inlet of the pump kit must be lower than the condensate drain of the indoor unit. The maximum difference in height is 5 m (16.4 ft).

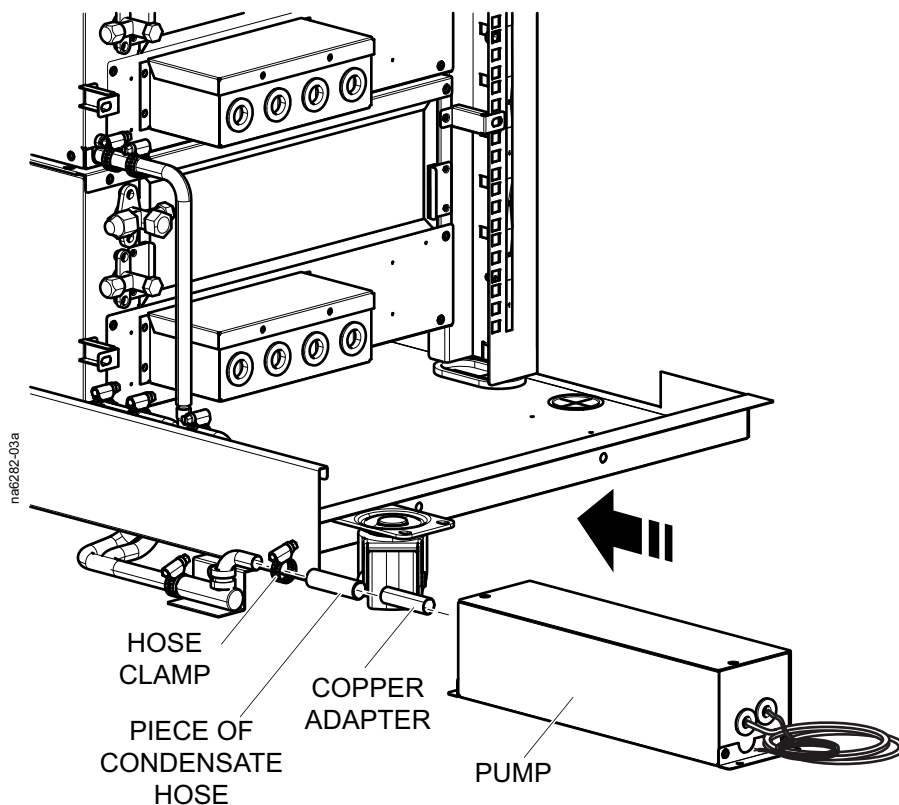
1. Follow the steps for the drain connections in the *User Manual*.

**NOTE:** Condensate drain pump installation is the same for a standard or a stacked unit application.



See the *User Manual* for the drain connection installation procedures.

2. Cut a small section of about 50 mm (2 in.) in length from the condensate drain hose included with the unit.
3. Connect the unit condensate drain adapter and the pump inlet with the copper adapter and the piece of condensate drain hose..



4. Route the 3-m (9.8-ft) long condensate drain tube from the pump to a building drain.

## Electrical Connections

### ⚠️ ⚠️ WARNING

#### RISK OF ELECTRIC SHOCK

Before connecting the circuit, use the voltmeter to measure the input power supply voltage and ensure the power supply is off.

**Failure to follow these instructions can result in death, serious injury, or equipment damage.**

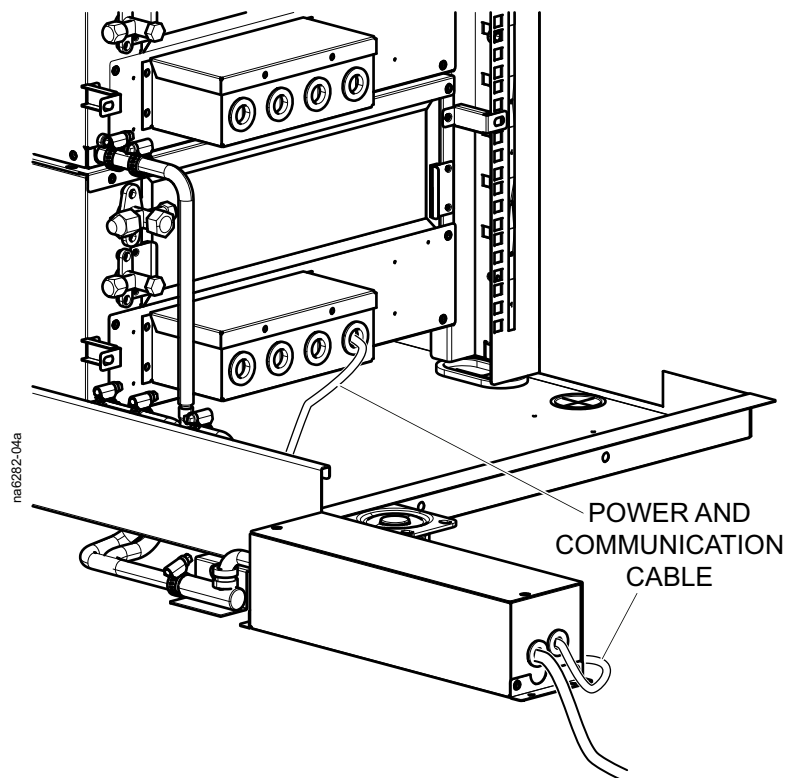
- The full load current is 0.1 A.
- The main power supply is 208 V, 60 Hz.

**NOTE:** Some components not shown for easier viewing.

1. Route the power and communication connections cable into the electrical box of the cooling unit.



See the *User Manual* for the cooling unit.



2. Connect the communication wires of the pump (two black wires) to terminals P1 and P2 of the cooling unit.
3. Connect the power wires of the pump (blue and brown wires) to terminals L3 and N of the cooling unit.