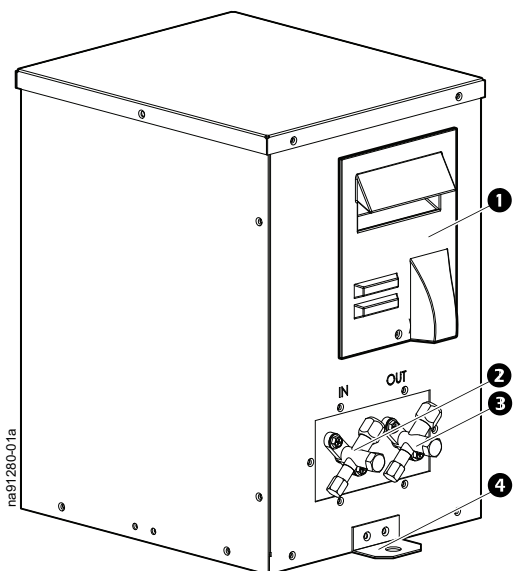


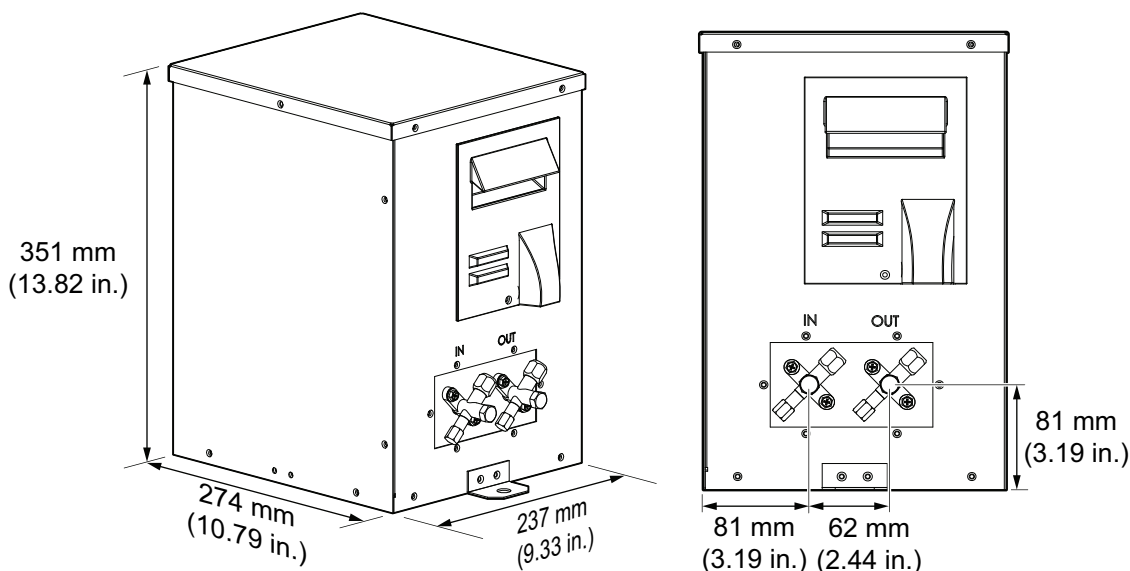
ACAC10047—Uniflair™ RM Low Temperature Kit

Component Identification

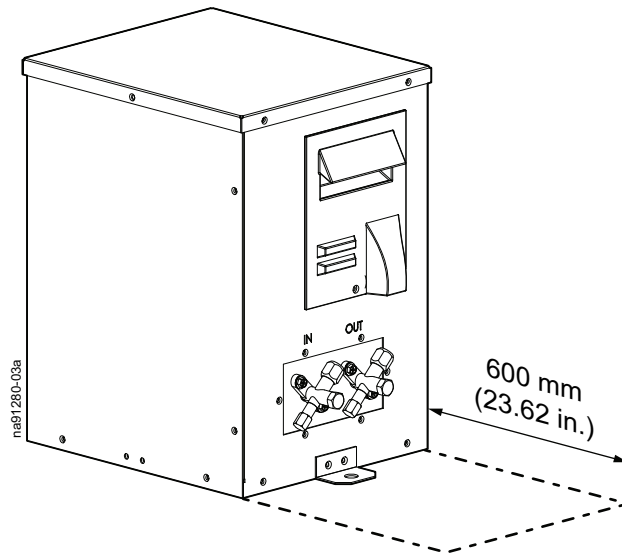


Item	Description
①	Electrical panel cover
②	Liquid line inlet
③	Liquid line outlet
④	Mounting bracket

Dimensions



Service Access



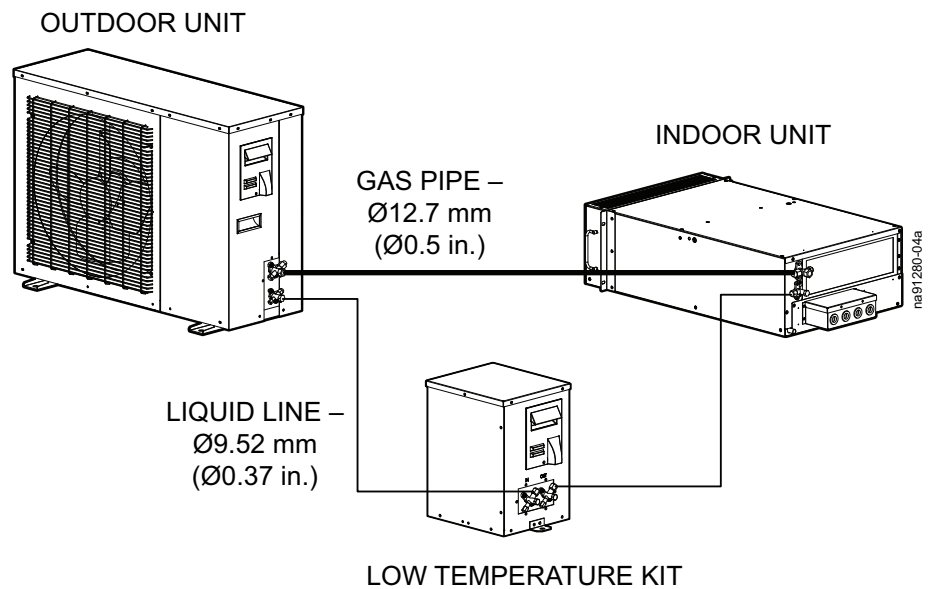
Installation

NOTICE

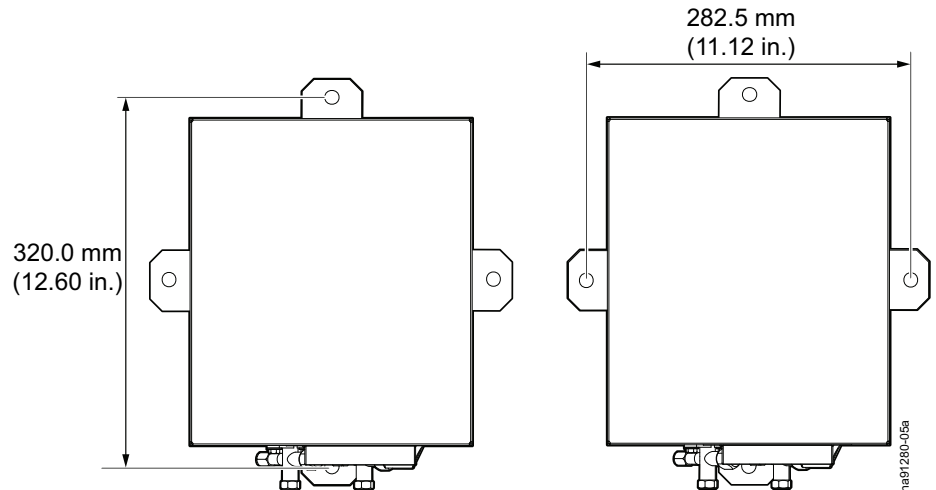
DAMAGE TO EQUIPMENT

The low temperature kit is not rated for outdoor installation.

Failure to follow these instructions can result in equipment damage.



1. The mounting brackets can be moved depending on the requirements of the installation space.



2. Use two M8 screws (field supplied) to attach the low temperature kit to the mounting surface.

Mechanical Connections

NOTICE

COMPLIANCE REQUIREMENT

Install all refrigerant lines in accordance with these instructions and applicable industry guidelines. All refrigerant piping must comply with local, regional, and national codes and regulations.

Failure to follow these instructions can result in equipment damage.

Piping and Copper Piping Connection

NOTICE

DAMAGE TO EQUIPMENT

- Insulate copper pipes.
- When copper piping passes through a wall or other obstacles, use shock absorber pads or other isolation practices to avoid direct contact between the copper pipe and the wall.
- Prevent dust, water vapor, and impurity particles from entering the copper pipe.

Failure to follow these instructions can result in equipment damage.

- All refrigeration pipe joints must be trumpet threaded.
- Ensure the thread connection is tightened, firm, and leak-free.
- Ensure the connecting pipe is the correct size.
- Remove and keep the flare nuts and remove and discard the copper plugs from the liquid line inlet and outlet connections.



See "Refrigerant Piping" in the *User Manual* for more information.

Refrigerant Charging

After connecting the copper pipes, open the service valves and pull a vacuum on the piping system. Pull a vacuum in the refrigeration system to lower the pressure so it can be charged with refrigerant. Add 1.0 kg (35.3 oz) refrigerant.



See “Refrigerant Charging” in the *User Manual* for more information.

Electrical Connections

⚠️ ⚠️ WARNING

RISK OF ELECTRIC SHOCK

Before connecting the circuit, use the voltmeter to measure the input power supply voltage and ensure the power supply is off.

Failure to follow these instructions can result in death, serious injury, or equipment damage.

NOTICE

DAMAGE TO EQUIPMENT

- Electrical equipment must be installed, operated, serviced, and maintained only by qualified personnel.
- Electrical service must conform to local and national electrical codes and regulations.
- Cables should not be in contact with high temperature objects (copper pipes and water pipes without thermal insulation) in order to avoid damaging the insulation layer.

Failure to follow these instructions can result in equipment damage.

- The full load current is 0.35 A.
 - The main power supply is 208 V, 60 Hz
1. Route the power cable into the electrical box of the cooling unit.



See the *Installation Manual* for the cooling unit.

