

Galaxy PWi

10-200 kVA 3:3 and 10-120 kVA 3:1

Receiving and Unpacking

11/2020



Legal Information

The Schneider Electric brand and any trademarks of Schneider Electric SE and its subsidiaries referred to in this guide are the property of Schneider Electric SE or its subsidiaries. All other brands may be trademarks of their respective owners.

This guide and its content are protected under applicable copyright laws and furnished for informational use only. No part of this guide may be reproduced or transmitted in any form or by any means (electronic, mechanical, photocopying, recording, or otherwise), for any purpose, without the prior written permission of Schneider Electric.

Schneider Electric does not grant any right or license for commercial use of the guide or its content, except for a non-exclusive and personal license to consult it on an "as is" basis. Schneider Electric products and equipment should be installed, operated, serviced, and maintained only by qualified personnel.

As standards, specifications, and designs change from time to time, information contained in this guide may be subject to change without notice.

To the extent permitted by applicable law, no responsibility or liability is assumed by Schneider Electric and its subsidiaries for any errors or omissions in the informational content of this material or consequences arising out of or resulting from the use of the information contained herein.

Table of Contents

Safety Precautions	5
Environmental	7
Weights and Dimensions without Packaging	8
Weights and Dimensions with Packaging	11
Clearance	14
Receiving	15
Unpacking the UPS	16

Safety Precautions

⚠ WARNING

HAZARD OF ELECTRIC SHOCK, EXPLOSION, OR ARC FLASH

- Do not unpack the units before the time of installation.
- Cover the units and store the units in a temperature controlled indoor environment free of conductive contaminants and humidity, where the units are protected from moisture until the time of start-up. Moisture inside the cabinet can create hazardous short circuits.

Failure to follow these instructions can result in death, serious injury, or equipment damage.

NOTICE

RISK OF EQUIPMENT DAMAGE

- Wait until the system is ready to be powered up before installing batteries in the system. The time duration from battery installation until the UPS system is powered up must not exceed 72 hours or 3 days.
- Batteries must not be stored more than six months due to the requirement of recharging. If the UPS system remains de-energized for a long period, Schneider Electric recommends that you energize the UPS system for a period of 24 hours at least once every month. This charges the batteries, thus avoiding irreversible damage.

Failure to follow these instructions can result in equipment damage.

Environmental

⚠ WARNING

HAZARD OF ELECTRIC SHOCK, EXPLOSION OR ARC FLASH

- Install the UPS system in a temperature controlled area free of conductive contaminants and humidity. Moisture inside the cabinet can create short-circuits.
- Install the UPS system on a non-inflammable, level and solid surface (e.g. concrete) that can support the weight of the system.

Failure to follow these instructions can result in death, serious injury, or equipment damage.

	Operation	Storage
Temperature	0 °C to 40 °C ¹	-25 °C to 55 °C
Relative humidity	0-90% non-condensing	
Elevation	1000 meters	<10000 meters
Derating (from 1000–3000 meters elevation)	1000m: 1.000 1500m: 0.975 2000m: 0.950 2500m: 0.925 3000m: 0.900	
Audible noise (1 meter from surface)	≤70 dBA at full load	
Color	RAL7035	

1. Optimal temperature is 5 °C to 25 °C. 40 °C at nominal voltage full load up to 8 hours.

Weights and Dimensions without Packaging

3:1 220 VDC UPS with Input Transformer

kVA Rating	Type	Weight (kg)	Height (mm)	Width (mm)	Depth (mm)
10	Single	375	1800	800	800
	Parallel	397	1800	800	800
20	Single	460	1800	800	800
	Parallel	482	1800	800	800
30	Single	659	1800	800	800
	Parallel	681	1800	800	800
40	Single	685	1800	800	800
	Parallel	703	1800	800	800
60	Single	1003	1800	1200	800
	Parallel	1027	1800	1200	800
80	Single	1263	1800	1200	800
	Parallel	1328	1800	1200	800
100	Single	1369	1800	1600	800
	Parallel	1419	1800	1600	800
120	Single	1620	1800	1600	800
	Parallel	1633	1800	1600	800

3:1 384 VDC UPS

kVA Rating	Type	Weight (kg)	Height (mm)	Width (mm)	Depth (mm)
10	Single	367	1800	800	800
	Parallel	380	1800	800	800
20	Single	404	1800	800	800
	Parallel	421	1800	800	800
30	Single	435	1800	800	800

kVA Rating	Type	Weight (kg)	Height (mm)	Width (mm)	Depth (mm)
	Parallel	455	1800	800	800
40	Single	499	1800	800	800
	Parallel	517	1800	800	800
60	Single	613	1800	800	800
	Parallel	650	1800	800	800
80	Single	684	1800	800	800
	Parallel	729	1800	800	800
100	Single	905	1800	1200	800
	Parallel	926	1800	1200	800
120	Single	955	1800	1200	800
	Parallel	976	1800	1200	800

3:3 384 VDC UPS

kVA Rating	Type	Weight (kg)	Height (mm)	Width (mm)	Depth (mm)
10	Single	357	1800	800	800
	Parallel	423	1800	800	800
20	Single	428	1800	800	800
	Parallel	537	1800	800	800
30	Single	456	1800	800	800
	Parallel	566	1800	800	800
40	Single	489	1800	800	800
	Parallel	596	1800	800	800
60	Single	731	1800	800	800
	Parallel	784	1800	800	800
80	Single	797	1800	800	800
	Parallel	832	1800	800	800
100	Single	1049	1800	1200	800
	Parallel	1116	1800	1200	800
120	Single	1354	1800	1200	800

kVA Rating	Type	Weight (kg)	Height (mm)	Width (mm)	Depth (mm)
	Parallel	1414	1800	1200	800
160	Single	1491	1800	1600	800
	Parallel	1587	1800	1600	800
200	Single	1795	1800	1600	800
	Parallel	1897	1800	1600	800

Weights and Dimensions with Packaging

3:1 220 VDC UPS with Input Transformer

kVA Rating	Type	Weight (kg)	Height (mm)	Width (mm)	Depth (mm)
10	Single	426	1940	930	930
	Parallel	438	1940	930	930
20	Single	512	1940	930	930
	Parallel	532	1940	930	930
30	Single	588	1940	930	930
	Parallel	592	1940	930	930
40	Single	735	1940	930	930
	Parallel	777	1940	930	930
60	Single	1058	1940	1330	930
	Parallel	1133	1940	1330	930
80	Single	1200	1940	1330	930
	Parallel	1257	1940	1330	930
100	Single	1450	1940	1730	930
	Parallel	1495	1940	1730	930
120	Single	1605	1940	1730	930
	Parallel	1750	1940	1730	930

3:1 384 VDC UPS

kVA Rating	Type	Weight (kg)	Height (mm)	Width (mm)	Depth (mm)
10	Single	368	1940	930	930
	Parallel	386	1940	930	930
20	Single	406	1940	930	930
	Parallel	429	1940	930	930
30	Single	485	1940	930	930

kVA Rating	Type	Weight (kg)	Height (mm)	Width (mm)	Depth (mm)
	Parallel	493	1940	930	930
40	Single	555	1940	930	930
	Parallel	579	1940	930	930
60	Single	639	1940	930	930
	Parallel	677	1940	930	930
80	Single	745	1940	930	930
	Parallel	785	1940	930	930
100	Single	976	1940	1330	930
	Parallel	1026	1940	1330	930
120	Single	997	1940	1330	930
	Parallel	1047	1940	1330	930

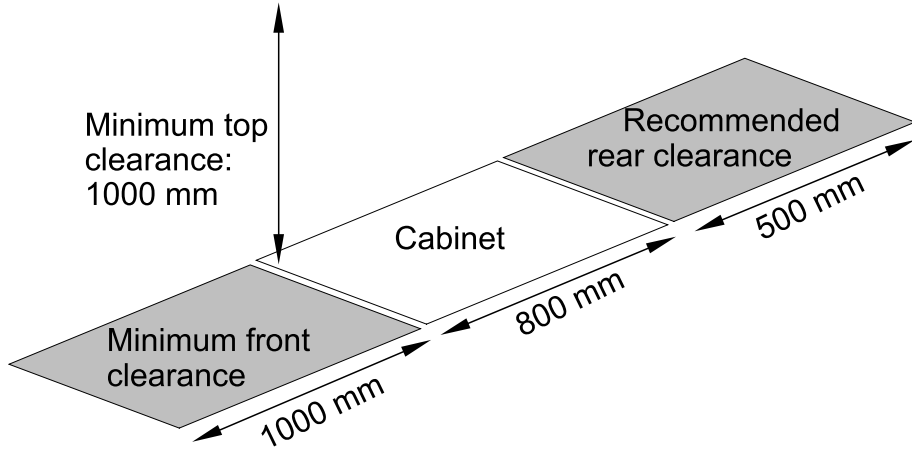
3:3 384 VDC UPS

kVA Rating	Type	Weight (kg)	Height (mm)	Width (mm)	Depth (mm)
10	Single	404	1940	930	930
	Parallel	473	1940	930	930
20	Single	443	1940	930	930
	Parallel	495	1940	930	930
30	Single	474	1940	930	930
	Parallel	532	1940	930	930
40	Single	530	1940	930	930
	Parallel	598	1940	930	930
60	Single	638	1940	930	930
	Parallel	731	1940	930	930
80	Single	683	1940	930	930
	Parallel	782	1940	930	930
100	Single	1166	1940	1330	930
	Parallel	1280	1940	1330	930
120	Single	1256	1940	1330	930

kVA Rating	Type	Weight (kg)	Height (mm)	Width (mm)	Depth (mm)
	Parallel	1385	1940	1330	930
160	Single	1572	1940	1730	930
	Parallel	1728	1940	1730	930
200	Single	1672	1940	1730	930
	Parallel	1864	1940	1730	930

Clearance

NOTE: Clearance dimensions are published for airflow and service access only. Consult with the local safety codes and standards for additional requirements in your local area.



Receiving

External Inspection

When the shipment arrives, inspect the shipping material for any signs of damage or mishandling. Check tilt and impact indicators. Do not attempt to install the system if a damage is apparent. If any damage is noted, contact Schneider Electric and file a damage claim with the shipping agency within 24 hours.

Compare the components of the shipment with the bill of lading. Report any missing items to the carrier and to Schneider Electric immediately.

Verify that labelled units match the order confirmation.

Unpacking the UPS

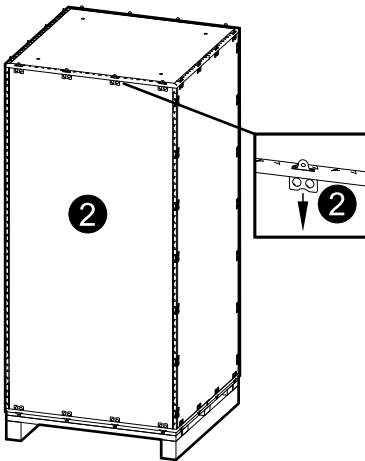
NOTICE

HAZARD OF EQUIPMENT DAMAGE

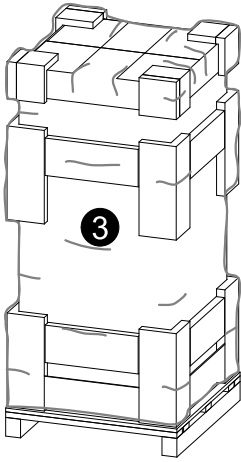
- Do not tip the cabinet more than 10° as it will cause damage to the cabinet.

Failure to follow these instructions can result in equipment damage.

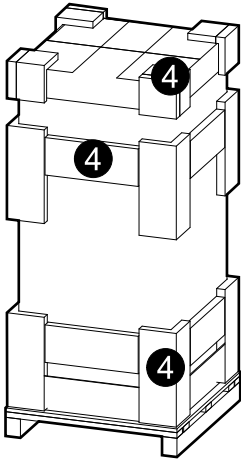
1. Use a pallet jack or a forklift to transport the UPS to the installation location.
2. Remove the clips on the paper casing and remove the paper casing.



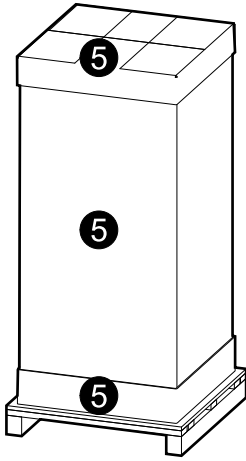
3. Remove the cellophane wrap bag.



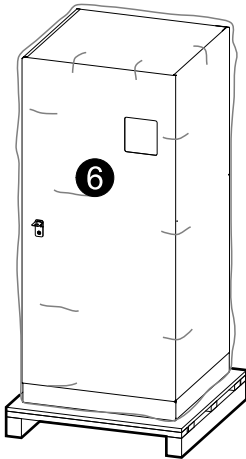
4. Remove the foam protectors.



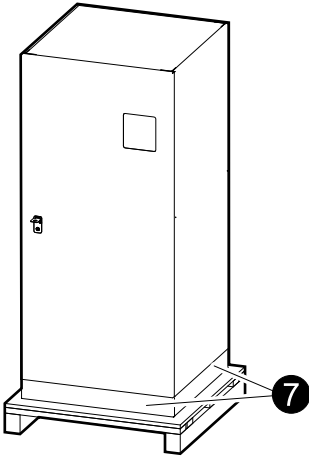
5. Remove the carton casing.



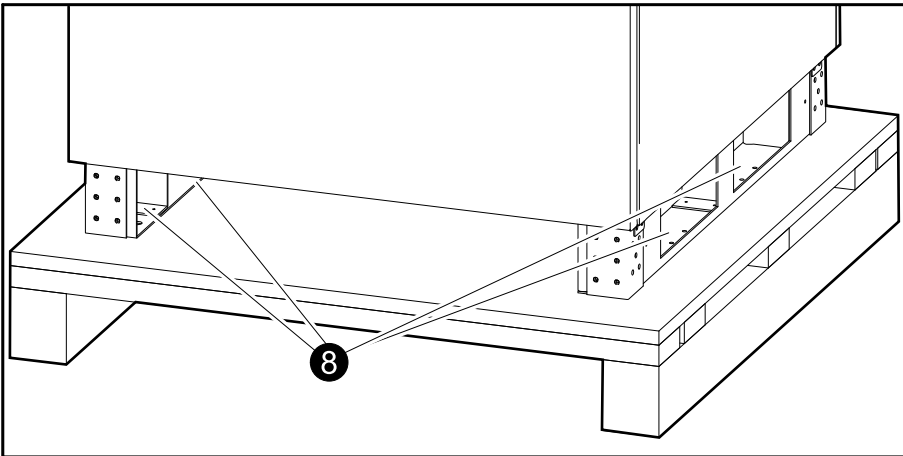
6. Remove the plastic bag.



7. Remove the front, back and side kicker plates.

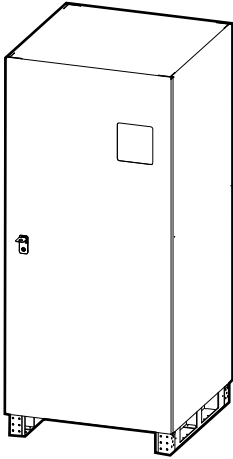


8. Remove the screws connecting the UPS to the wooden pallet.

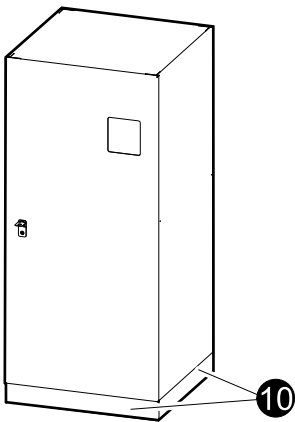


NOTE: The parallel kit (if ordered) containing parallel cables is placed between the UPS and the wooden pallet – remove the parallel kit and save for installation.

9. Use an electric forklift to move the UPS from the pallet onto the final installation location.



10. Reinstall the front, back and side kicker plates.



Schneider Electric IT (China) Co. Ltd
A2, No. 25 factory, New Development District, No. 30
Futedong third Road
Waigaoqiao Free Trade Zone, Shanghai
PRC

www.schneider-electric.com

As standards, specifications, and design change from time to time, please ask for confirmation of the information given in this publication.

© 2013 – 2020 Schneider Electric. All rights reserved.

990-4906B-001