

fluarc

**MV distribution
factory built assemblies
at your service**

Anglais

**instructions for
use**

**frame for
circuit-breaker**

Schneider
 **Electric**

Released for Manufacturing
Printed on 2019/02/08

foreword	3
symbols and conventions	3
as per iso 3864–2	3
contact the Schneider Electric service unit for diagnosis and advice	4
distribution rules	4
safety rules	4
general description	5
position of the operating mechanism	5
frame for 95 and 170 kV circuit breakers	5
frame for 95 and 125 kV circuit breakers	5
frame for 170 kV circuit breaker	5
frame identification	6
frame elements	7
mounting instructions	9
frame assembly	9
assembly of floor anchoring brackets	10
assembly of gussets and uprights	10
roller mounting	11
mounting the circuit breaker on the frame	11
anchoring the frame to the floor	12
SF6 gas recovery	13



symbols and conventions

Caution:
you will find all the symbols below throughout the document, indicating the hazard levels depending on the different types of situation.

**DANGER**

as per iso 3864–2

DANGER: failure to follow this instruction will result in death or serious injury.

**WARNING**

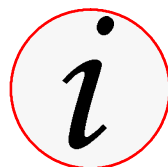
as per iso 3864–2

WARNING: failure to follow this instruction may result in death or serious injury.

**CAUTION**

as per iso 3864–2

CAUTION: failure to follow this instruction may result in injuries.
This alert signal can also be used to indicate practices that could damage the SF6 unit.

**INFORMATION-ADVICE**

We draw your attention to this specific point.

**contact the Schneider
Electric service unit for
diagnosis and advice**



Call your sales representative who
will put you in contact with
the closest
SCHNEIDER ELECTRIC
group service centre.
You can log on to:
www.schneider-electric.com

distribution rules



**The aim of this publication
is to enable the SF6 unit
to be installed correctly.**

This document is not a commercial
document.
It is a strictly technical document
drawn up by **Schneider Electric**.

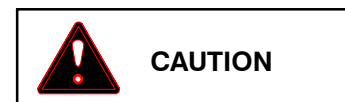
safety rules



All the operations described below
must be performed in compliance
with applicable safety standards,
**under the responsibility
of a competent authority.**



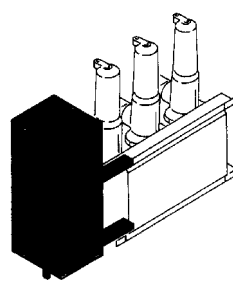
**The contractor must be certified
and authorised to manipulate
and perform work on the SF6
unit.**



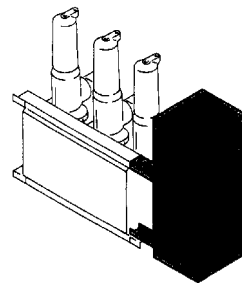
Only undertake the work after
having read and understood
all the explanations given in this
document.

If you have any difficulty complying
with these rules, please contact
Schneider Electric.

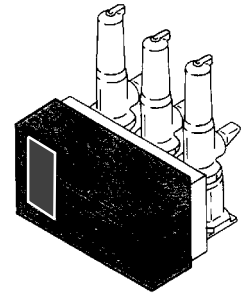
position of the operating mechanism



position A1



position B1

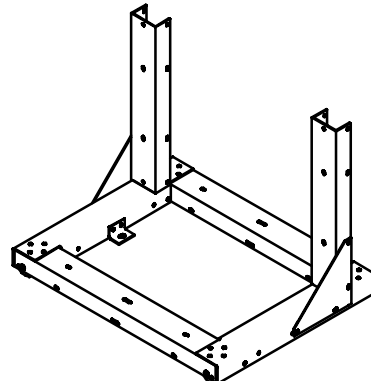


position C1

frame for 95 and 170 kV circuit breakers

(impulse withstand capacity)

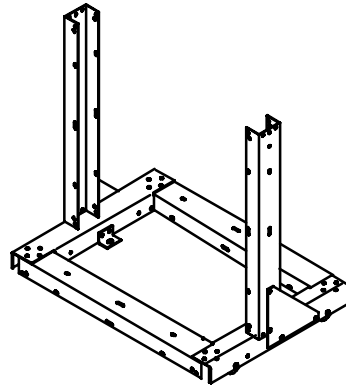
position A1 and B1



frame for 95 and 125 kV circuit breakers

(impulse withstand capacity)

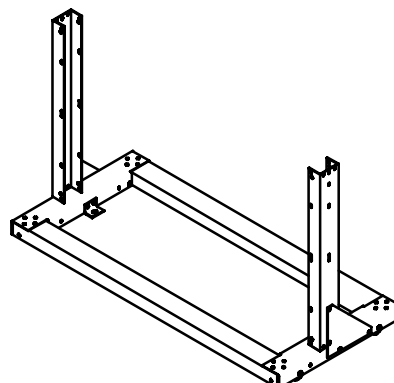
position C1



frame for 170 kV circuit breaker

(impulse withstand capacity)

position C1



frame identification

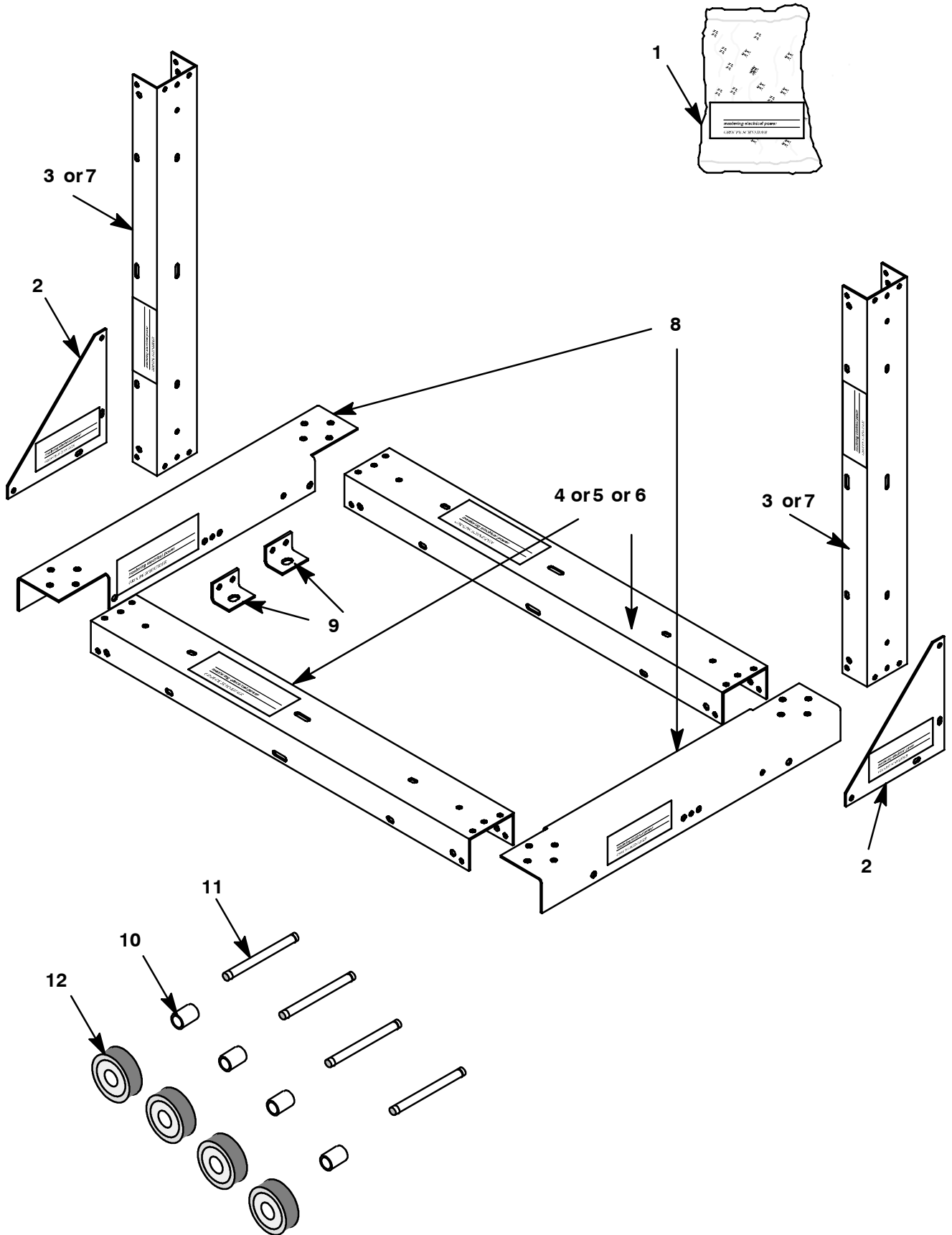
Check the match between the set number and the model.

interphase distance	position of the operating mechanism	height		set number
		H1 = 560	H2 = 775	
220 mm	A1 / B1	X		888 613 A
	A1 / B1		X	888 613 B
	C1	X		888 613 G
	C1		X	888 613 H
280 mm	A1 / B1	X		888 613 C
	A1 / B1		X	888 613 D
	C1	X		888 613 J
	C1		X	888 613 K
380 mm	A1 / B1	X		888 613 E
	A1 / B1		X	888 613 F
	C1	X		888 613 L
	C1		X	888 613 M

component identification

part n°	item	frame 888 613 model											
		A	B	C	D	E	F	G	H	J	K	L	M
1	Nuts and bolts	1	1	1	1	1	1	1	1	1	1	1	1
2	Gusset	2	2	2	2	2	2	2	2	2	2	2	2
3	Upright	2		2		2		2		2		2	
4	Cross bar					2	2					2	2
5	Cross bar			2	2					2	2		
6	Cross bar	2	2					2	2				
7	Upright		2		2		2		2		2		2
8	Bar	2	2	2	2	2	2	2	2	2	2	2	2
9	Bracket	2	2	2	2	2	2	2	2	2	2	2	2
10	Spacer	4	4	4	4	4	4	4	4	4	4	4	4
11	Shaft	4	4	4	4	4	4	4	4	4	4	4	4
12	Roller	4	4	4	4	4	4	4	4	4	4	4	4

frame elements

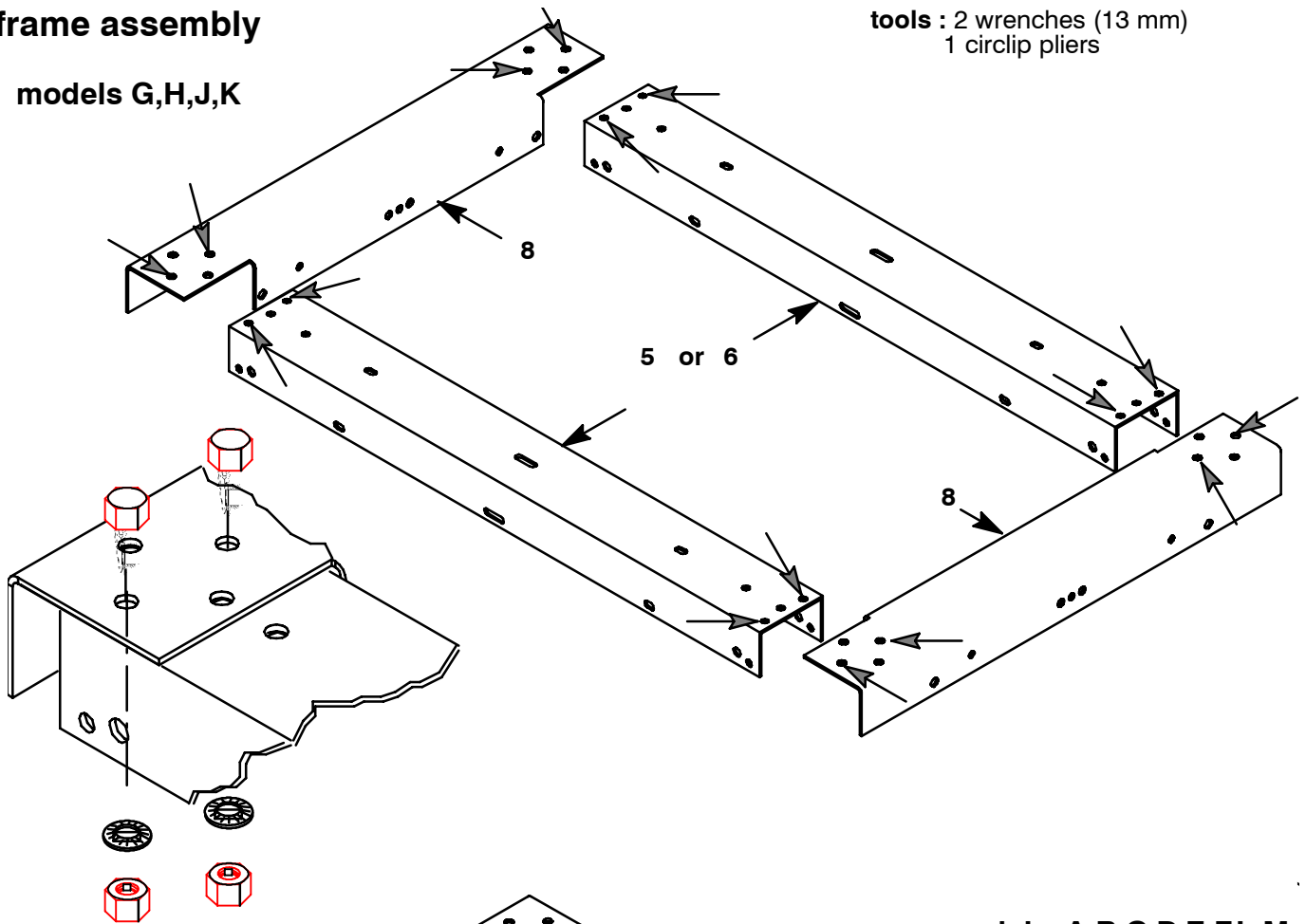


Dotted lines for writing.

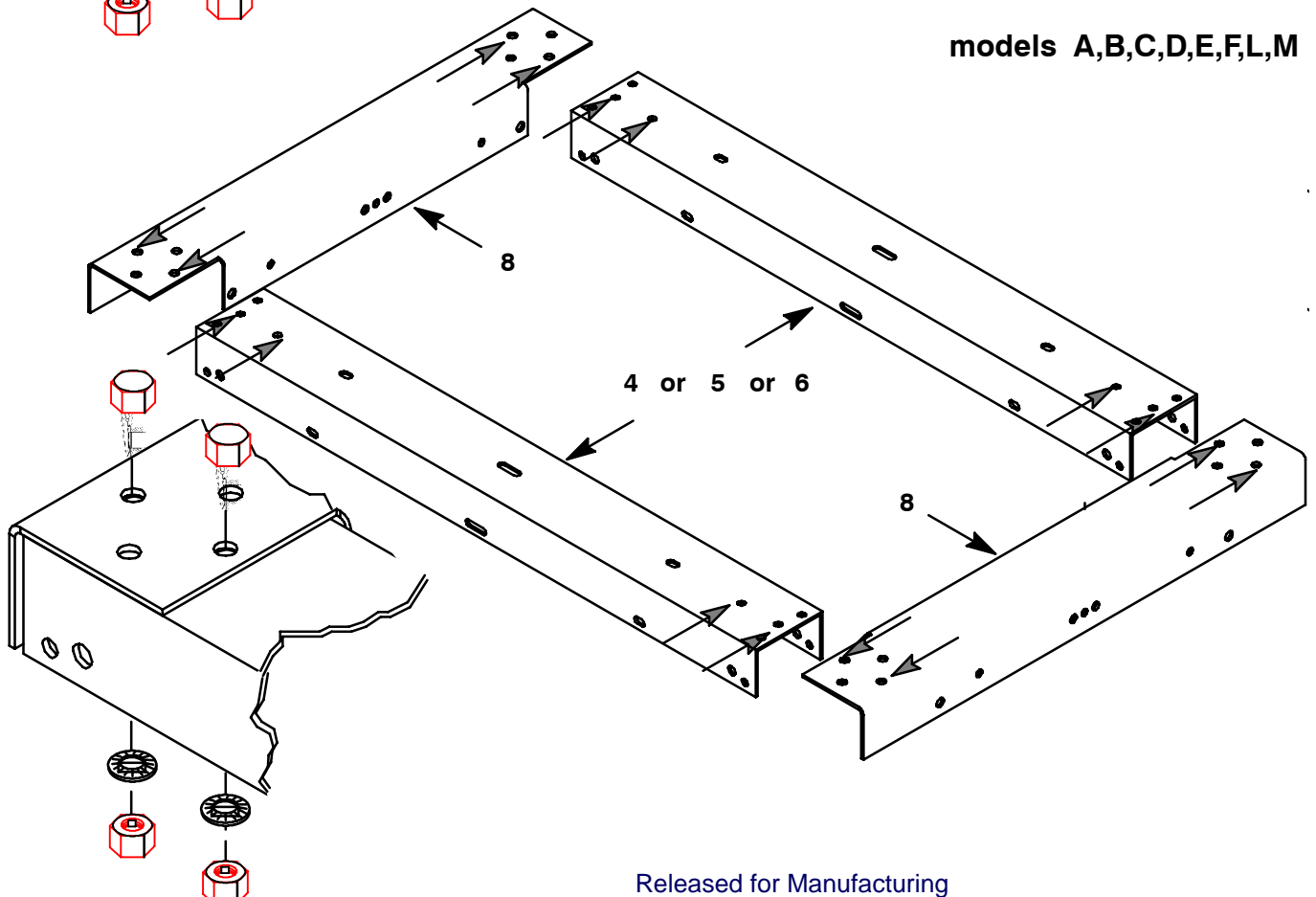
frame assembly

models G,H,J,K

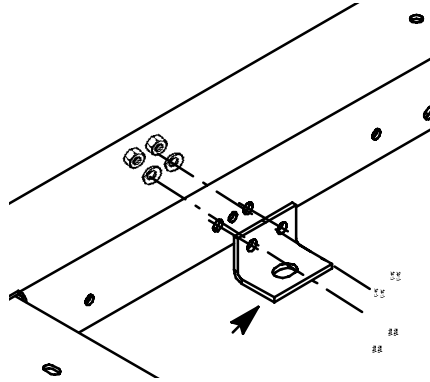
tools : 2 wrenches (13 mm)
1 circlip pliers



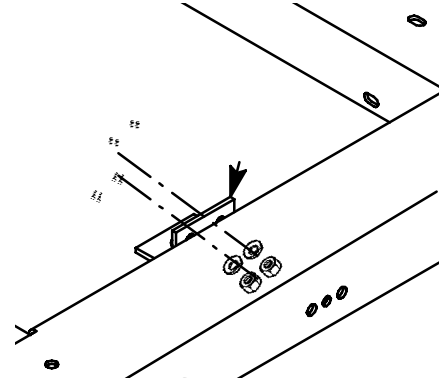
models A,B,C,D,E,F,L,M



**assembly of floor
anchoring brackets**

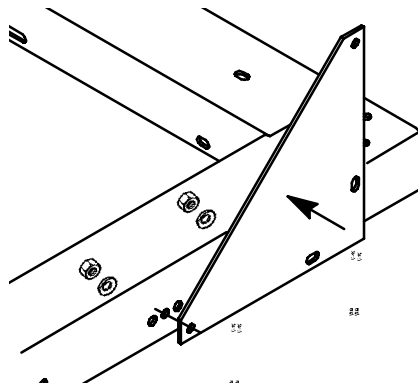


Position the bracket.

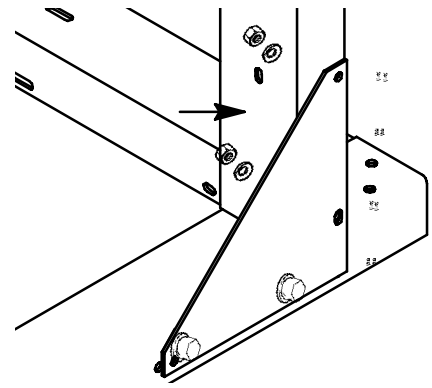


Tighten the nuts and bolts as
indicated.

**assembly of gussets
and uprights
*position A1 – B1***

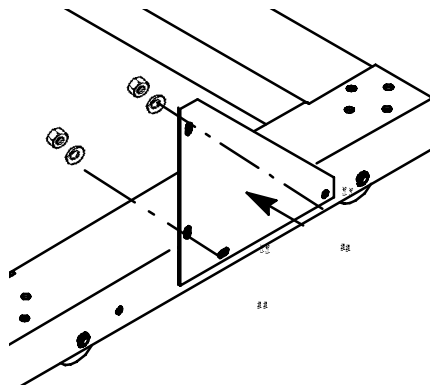


Secure the gussets to the frame.

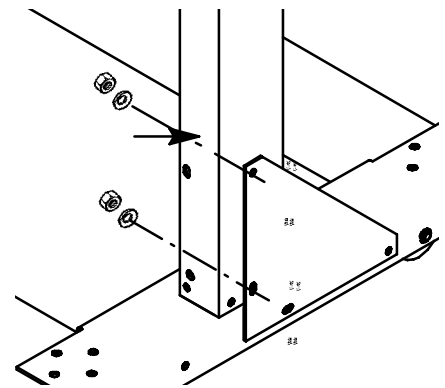


Secure the uprights to the frame
and the gussets.

position C1

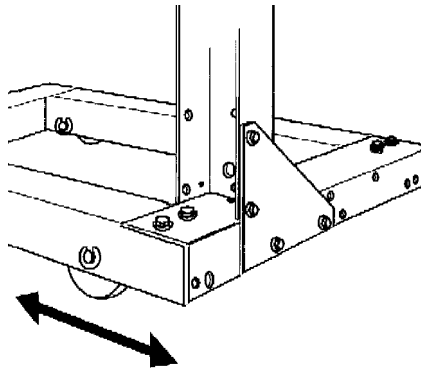


Secure the gussets to the frame.



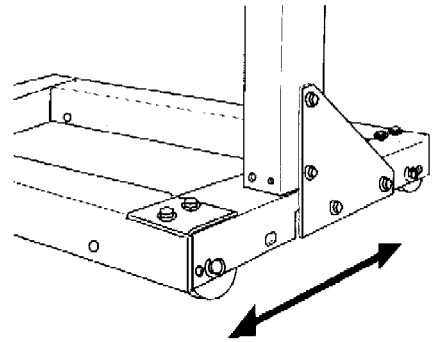
Secure the uprights to the frame
and the gussets.

**roller mounting
direction**



Position A1 and B1

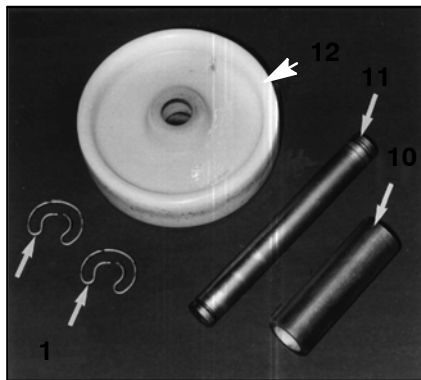
- install the rollers on the cross bars.



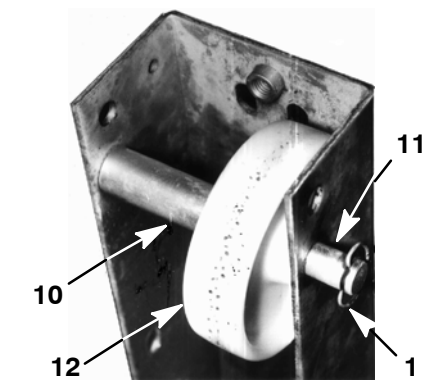
Position C1

- install the rollers on the side bars.

assembly of rollers

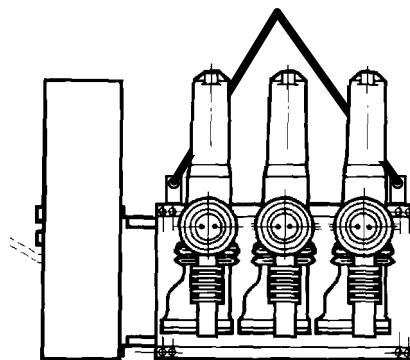


- 12 roller
- 11 axle
- 10 spacer
- 1 circlip

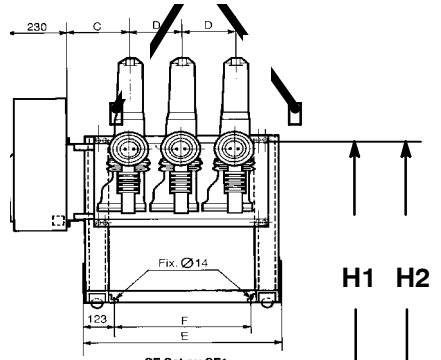


Install the rollers as close as possible to the ends of the frame.

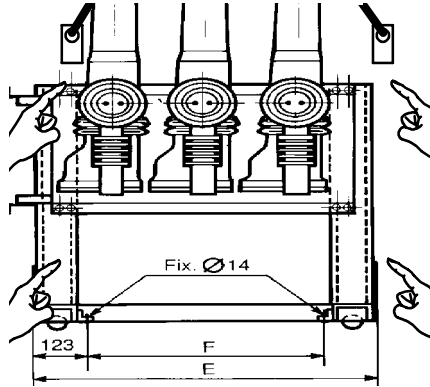
**mounting the circuit
breaker on the frame**



Attach slings and lift the circuit breaker.



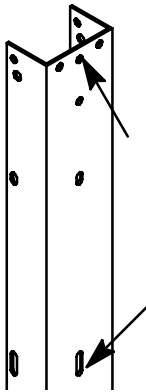
Position the circuit breaker on the frame.



- fit and tighten the bolts.

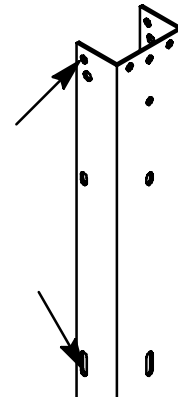
fixing points

**Side-mounted operating mechanism
position A1 and B1**



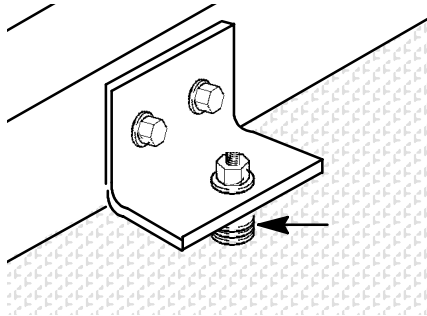
Secure the circuit breaker using the indicated holes.

**Front-mounted operating mechanism
position C1**



Secure the circuit breaker using the indicated holes.

anchoring the frame to the floor



Fixed circuit breakers mounted on the support frame must be anchored to the floor.

Use enough washers to avoid bending the bracket.



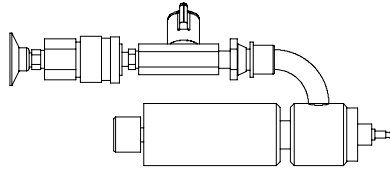
CAUTION

This frame **CANNOT** be used to make a fixed circuit breaker withdrawable.

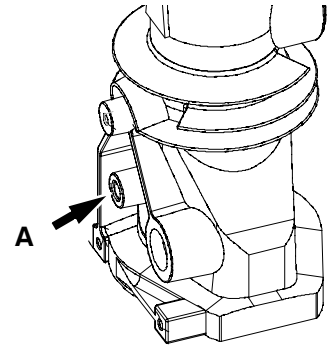
SF6 gas recovery conformity rules

The SF6 must be removed before any dismantling operation can be carried out in compliance with the procedures described in IEC-61634 and according to the following instructions. The gas must be treated in compliance with IEC-60480.

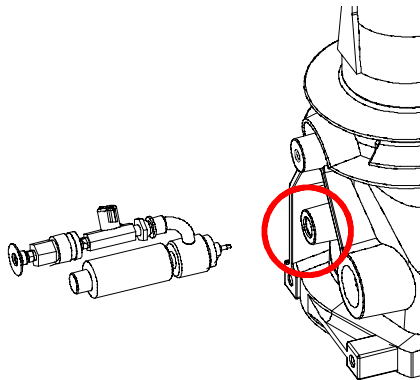
intervention method



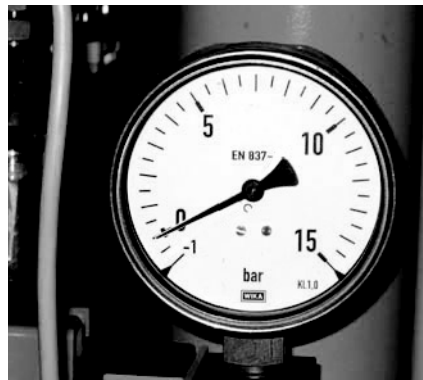
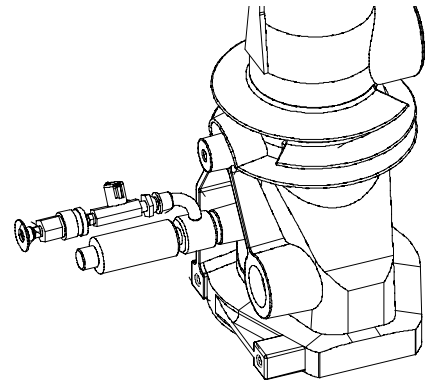
Tool necessary for the operation



Plug (A).



Connect the vacuum/filling device.



Wait until the pressure gauge shows 0 (15 min to empty the tank) before removing the connection.



group Schneider Electric service centers are there for:

engineering and technical assistance
start-up
training
preventive and corrective maintenance
adaptation work
spare parts

Call your sales representative who will put you in touch with your nearest group Schneider Electric service centers.

Schneider Electric Industries SAS

89, boulevard Franklin Roosevelt
F-92500 Rueil-Malmaison (France)
Tel : +33 (0)1 41 29 85 00

<http://www.schneider-electric.com>

889145EN revision : 01

As standards, specifications and designs change from time to time, please ask for confirmation of the information given in this publication.

Conception, rédaction: Service Documentation
Technique T&D

Released for Manufacturing
Printed on 2019/02/08

Edition du : **14/04/2008**