

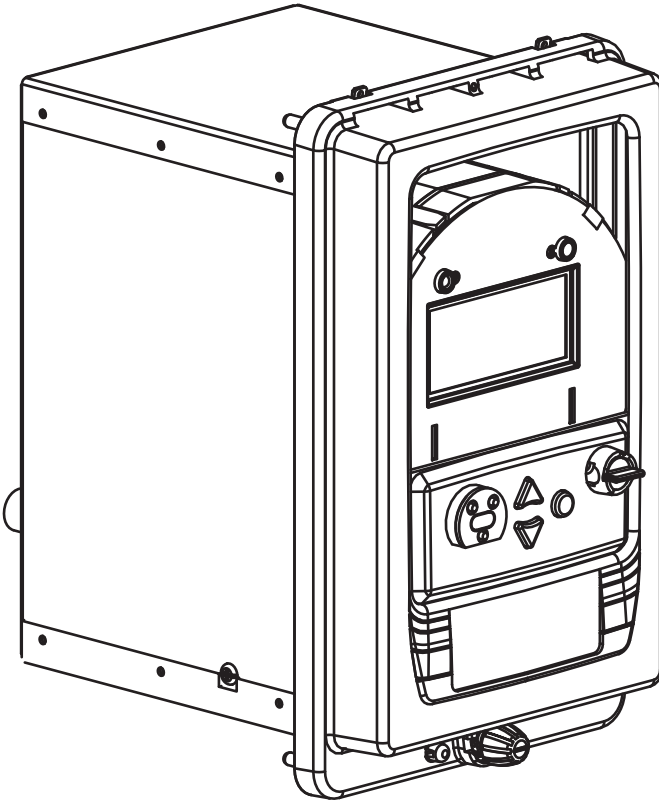
PowerLogic™ ION8600

Energy and power quality switchboard meter

35S hardware compatibility jumper installation instructions

7EN52-0268-00

02/2012



Hazard Categories and Special Symbols

Read these instructions carefully and look at the equipment to become familiar with the device before trying to install, operate, service or maintain it. The following special messages may appear throughout this manual or on the equipment to warn of potential hazards or to call attention to information that clarifies or simplifies a procedure.



The addition of either symbol to a “Danger” or “Warning” safety label indicates that an electrical hazard exists which will result in personal injury if the instructions are not followed.



This is the safety alert symbol. It is used to alert you to potential personal injury hazards. Obey all safety messages that follow this symbol to avoid possible injury or death.

DANGER

DANGER indicates an imminently hazardous situation which, if not avoided, will result in death or serious injury.

WARNING

WARNING indicates a potentially hazardous situation which, if not avoided, can result in death or serious injury.

CAUTION

CAUTION indicates a potentially hazardous situation which, if not avoided, can result in minor or moderate injury.

CAUTION

CAUTION used without the safety alert symbol indicates a potentially hazardous situation which, if not avoided, can result in property damage.

NOTE

Provides additional information to clarify or simplify a procedure.

PLEASE NOTE

Electrical equipment should be installed, operated, serviced and maintained only by qualified personnel. No responsibility is assumed by Schneider Electric for any consequences arising out of the use of this material.

Retrofit overview

This document outlines the steps for installing a jumper on the PowerLogic™ ION8600 35S switchboard meter so that it is compatible if it is reinstalled into a 9S switchboard case.



NOTE

Installing the jumper does not enable the meter to function as a 9S meter.

This document does not apply to any other form factors or to the socket version of the meter.

Additional information

For more information on the ION8600, including the most recent documentation, visit www.schneider-electric.com. Available technical documentation includes:

- ◆ *ION8600 installation guide* - contains wiring and installation instructions for the ION8600.
- ◆ *Verifying ION8600 meter accuracy* - contains testing instructions and test configurations for verifying meter accuracy.
- ◆ *ION8600 user guide* - contains detailed information on meter operation, software support, communications, inputs/outputs, logging, time-of-use, alarm notification, and other advanced features.

For more information, please contact your local Schneider Electric sales representative.

Safety precautions

Installation, wiring, testing and service must be performed in accordance with all local and national electrical codes.

DANGER

HAZARD OF ELECTRIC SHOCK, EXPLOSION, OR ARC FLASH

- Apply appropriate personal protective equipment (PPE) and follow safe electrical work practices. See NFPA 70E in the USA or applicable local standards.
- This equipment must only be installed and serviced by qualified electrical personnel.
- Turn off all power supplying this device and the equipment in which it is installed before working on the device or equipment.
- Always use a properly rated voltage sensing device to confirm that all power is off.
- Ensure the meter has been unpowered for at least 15 minutes prior to disassembly.
- Replace all devices, doors and covers before turning on power to this equipment.

Failure to follow these instructions will result in death or serious injury.

Before You Begin

1. Familiarize yourself with the contents of this guide, in particular the “Safety precautions” on page 6.
2. Determine whether or not you need to install the jumper on your meter. See “Determining if you need to install the jumper”, below.
3. Make sure you have all tools and parts required for your retrofit.
4. Ensure the meter has been unpowered for at least 15 minutes prior to disassembly. Use a properly rated voltage sensing device to confirm that the power is off.

NOTE

The illustrations within this document are representative and are intended for reference only. Your meter may appear different than shown.

Determining if you need to install the jumper

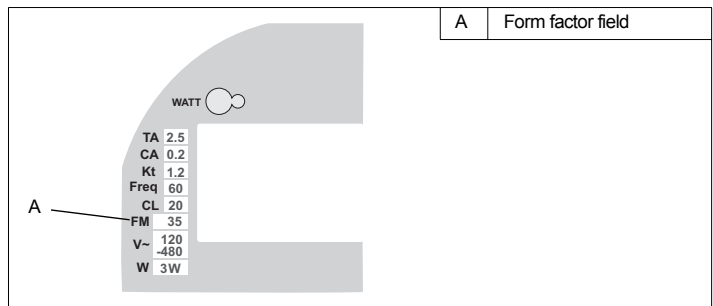
You only need to install the jumper on a 35S meter that is removed from its original, factory-installed switchboard case.

NOTE

If the meter is in service in its original 35S wired switchboard case, you do not need remove the meter from service for the sole purpose of installing the jumper. However, ensure that you install the jumper if you remove the meter from service in future.

Determining the form factory using the front panel

Find the FM (form factor) field on the front panel label of your meter. This field contains “35” if it is a 35S meter.



Determining the form factor using ION Setup

1. Open the Setup Assistant for your meter. See the ION Setup Help for instructions.
2. Select Template.
3. Check the Options string on the Save to PC tab.

Example options string:

P8600A8C0E6C1B3A

If the seventh character (highlighted in the example above) is a 5 or an 8, your meter is a 35S meter.

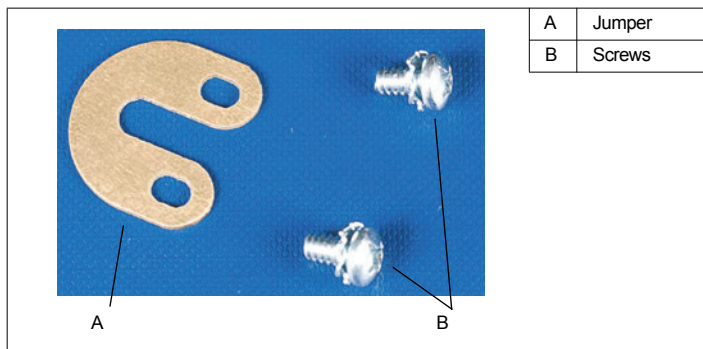
Recommended Tools

- ◆ Insulated #2 Phillips screwdriver

Field retrofit kit contents

Your field retrofit kit contains the following parts:

- ◆ Jumper
- ◆ Two #6-32 SEM type screws



NOTE

Field retrofit kit contents are subject to change and may not be exactly as shown.

Retrofit Instructions

Removing the meter from the switchboard case

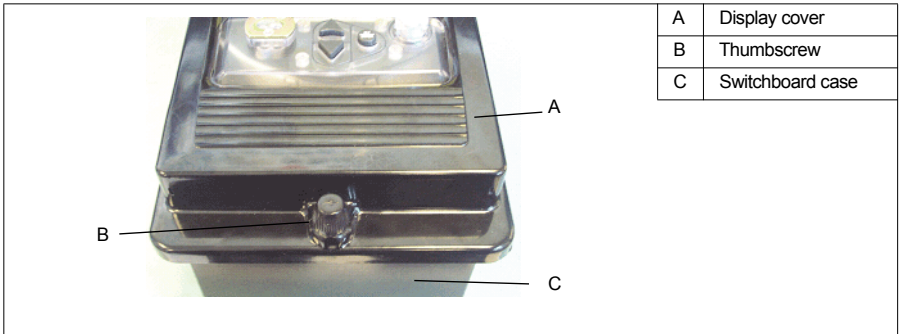
⚠ DANGER

HAZARD OF ELECTRIC SHOCK, EXPLOSION OR ARC FLASH

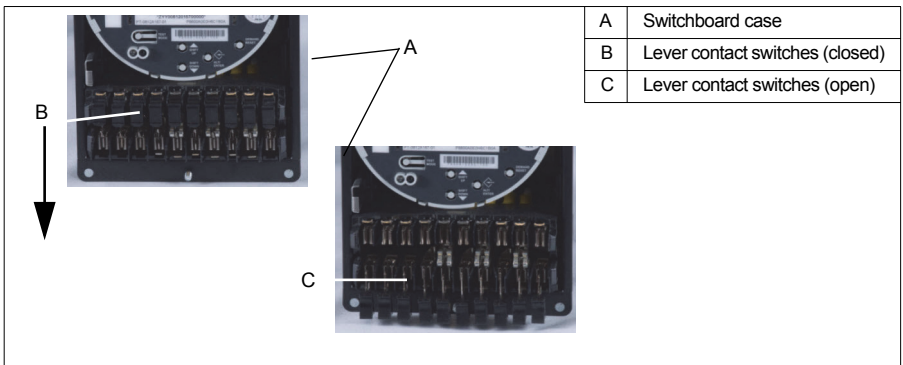
- Apply appropriate personal protective equipment (PPE) and follow safe electrical work practices. See NFPA 70E in the USA or applicable local standards.
- This equipment must only be installed and serviced by qualified electrical personnel.
- Turn off all power supplying this device and the equipment in which it is installed before working on the device or equipment.
- Always use a properly rated voltage sensing device to confirm that all power is off.
- Ensure the meter has been unpowered for at least 15 minutes prior to starting work on the meter.

Failure to follow these instructions will result in death or serious injury.

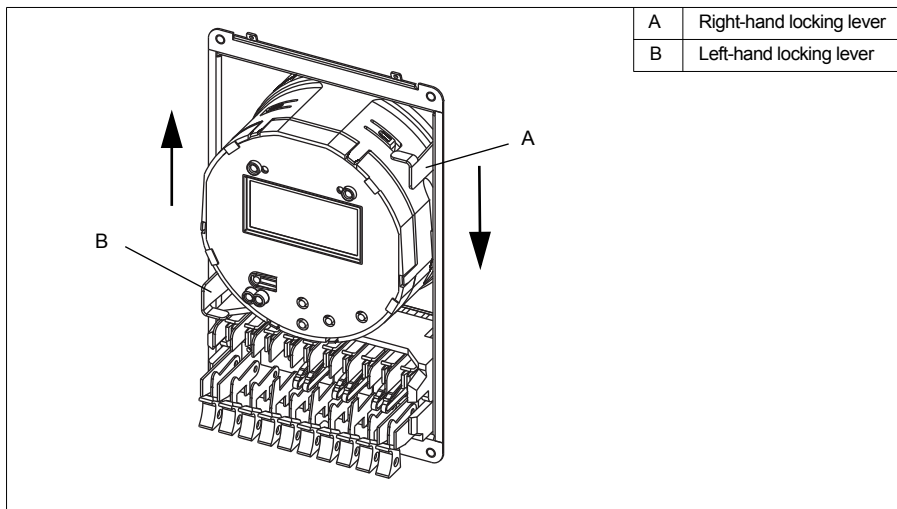
1. Loosen the thumbscrew located at the front bottom of the display cover and lift to expose the front of the meter.



2. Slide all the lever contact switches located at the front of the switchboard case down and into the open position.



3. Push the locking levers to unlock the meter cage from the switchboard case (pull up on the left-hand lever, push down on the right-hand lever).



4. Press down and pull out on the meter simultaneously to remove the meter from the switchboard case.

Installing the jumper

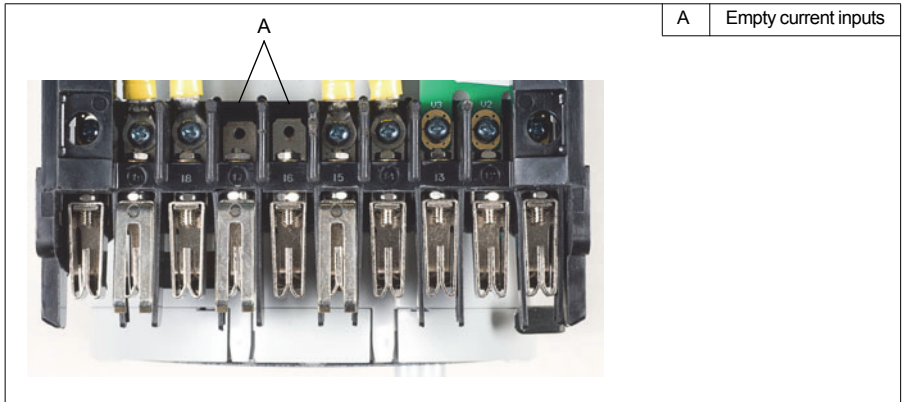
⚠ DANGER

HAZARD OF ELECTRIC SHOCK, EXPLOSION OR ARC FLASH

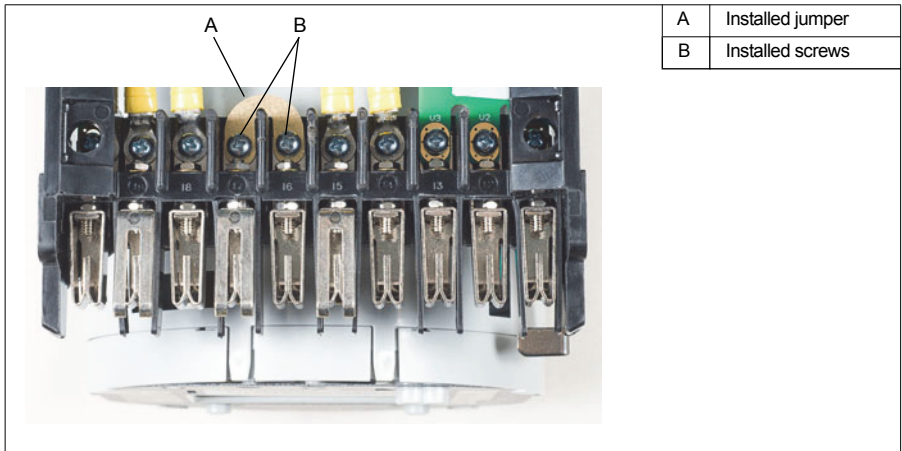
- Use only the screws provided with the field retrofit kit.
- Install both screws from the field retrofit kit.
- Ensure that no metal parts fall into the meter.

Failure to follow these instructions will result in death or serious injury.

1. Confirm that you need to install the jumper:
 - ◆ Verify that the **FM** field on front panel states that the meter is a 35S.
 - ◆ A properly wired 35S meter has two empty, neighboring current inputs. You do not need to remove any screws to install the jumper.



2. Insert the jumper into the two empty current inputs.
3. Insert the screws into the holes and tighten to a minimum torque of 1.13 Nm (10 in-lb) and a maximum torque of 1.35 Nm (12 in-lb) using a #2 Phillips screwdriver.



4. Verify that you have installed the jumper as shown, using both screws that came with the field retrofit kit, before returning the meter to service.

Returning the meter to the switchboard case

⚠ DANGER

HAZARD OF ELECTRIC SHOCK, EXPLOSION OR ARC FLASH

- Apply appropriate personal protective equipment (PPE) and follow safe electrical work practices. See NFPA 70E in the USA or applicable local standards.
- This equipment must only be installed and serviced by qualified electrical personnel.
- Turn off all power supplying this device and the equipment in which it is installed before working on the device or equipment.
- Always use a properly rated voltage sensing device to confirm that all power is off.
- Ensure no wires are pinched or ferrites damaged when returning the meter to the switchboard case.

Failure to follow these instructions will result in death or serious injury.

1. Insert the switchboard meter into the switchboard case.

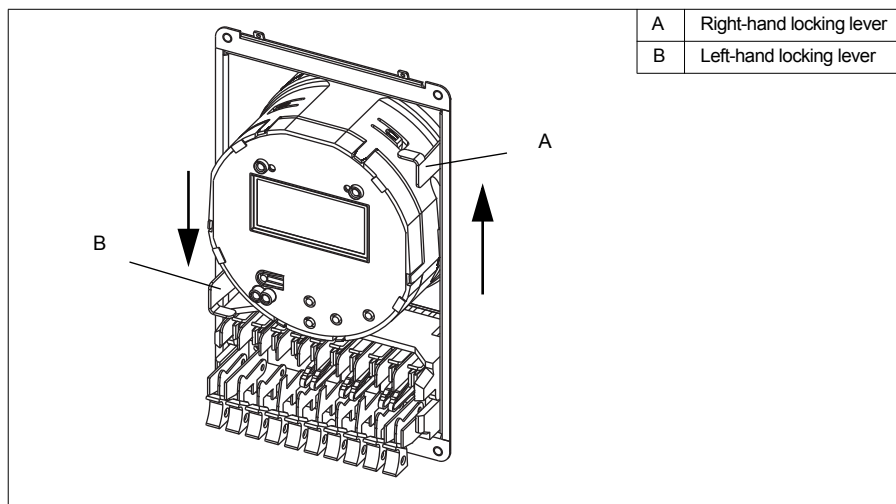
⚠ DANGER

HAZARD OF ELECTRIC SHOCK, EXPLOSION OR ARC FLASH

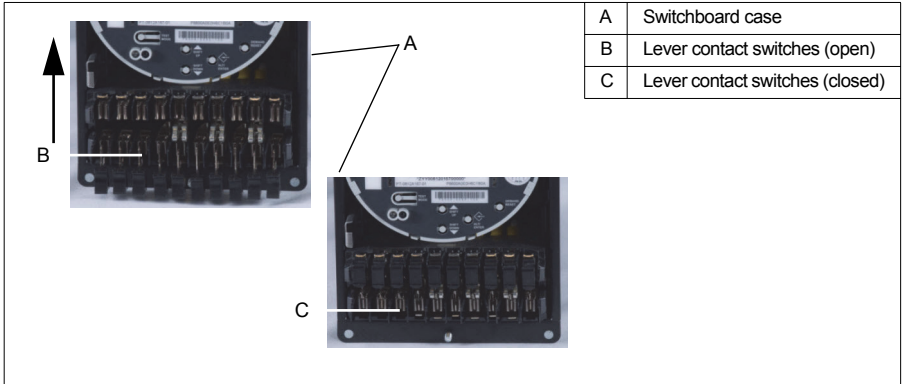
Return the locking levers to the locked position to help ground the meter to the switchboard case.

Failure to follow these instructions will result in death or serious injury.

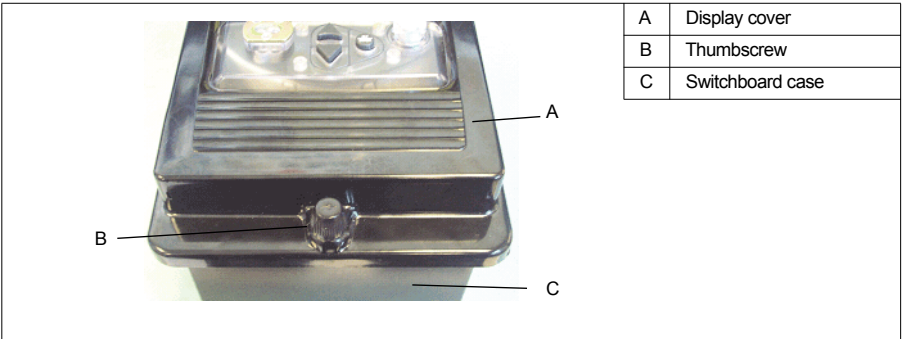
2. Push the locking levers to lock the meter cage in the switchboard case (push down on the left-hand lever, pull up on the right-hand lever). Returning the locking levers to their locked position helps ensure the meter is electrically grounded to the switchboard case.



- Slide the lever contact switches located at the front of the switchboard up and into the closed position.



- Replace the switchboard display cover. Tighten the thumbscrew to secure the cover.



Returning your meter to service

Follow the instructions in the *ION8600 installation guide* to return your meter to service.

PowerLogic™ ION8600

with WebMeter™

35S hardware compatibility jumper installation instructions

Schneider Electric

2195 Keating Cross Road
Saanichton, BC
Canada V8M 2A5
Tel: 1-250-652-7100

For technical support:
Global-PMC-Tech-support@schneider-electric.com
(00) + 1 250 544 3010

Contact your local Schneider Electric sales
representative for assistance or go to
www.schneider-electric.com

ION, PowerLogic and Schneider Electric are either
trademarks or registered trademarks of Schneider
Electric in France, the USA and other countries. All
other trademarks are property of their respective
owners.

Electrical equipment should be installed, operated,
serviced, and maintained only by qualified personnel.

No responsibility is assumed by Schneider Electric for
any consequences arising out of the use of this
material.

7EN52-0268-00
© 2012 Schneider Electric. All rights reserved.
02/2012