

# Terminal Block Assembly Wiring

This document describes how to wire the VTFB-6 and CTSB-10 terminal block assemblies, available for use with Schneider Electric CT's and VT's.

## In This Document

---

◆ <b>VT Fuse Block Assembly</b> .....	<b>2</b>
VTFB-6 Diagram .....	2
VTFB-6 Specifications .....	3
VTFB-6 Dimensions .....	3
◆ <b>CT Shorting Block Assembly</b> .....	<b>4</b>
CTSB-10 Diagram .....	4
CTSB-10 Specifications .....	5
CTSB-10 Dimensions .....	5
◆ <b>Wiring Diagrams</b> .....	<b>7</b>
Single-Phase .....	7
4-Wire Wye, 3-Element Direct .....	8
4-Wire Wye, 3-Element, 3 VT .....	9
4-Wire Wye, 2½-Element, 2 VT .....	10
3-Wire Solid Grounded Wye, 3-Element Direct .....	11
3-Wire Delta, 2½-Element Direct (ION7500 / ION7600) .....	12
3-Wire Delta, Direct (ION7300 series) .....	13
3-Wire Delta, 2½-Element, 2 VT & 3 CT .....	14
3-Wire Delta, 2-Element, 2 VT & 2 CT .....	15

## Additional Information

- ◆ Your meter's Installation Guide

Electrical equipment should be installed, operated, serviced, and maintained only by qualified personnel. No responsibility is assumed by Schneider Electric for any consequences arising out of the use of this material.

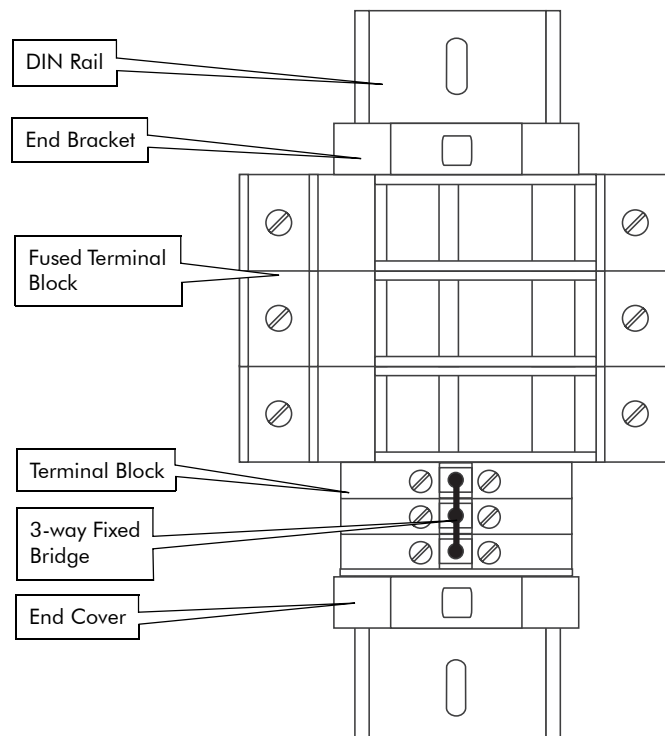
© 2007 Schneider Electric.  
All rights reserved.  
[www.powerlogic.com](http://www.powerlogic.com)

# VT Fuse Block Assembly

The PowerLogic<sup>®</sup> VT fuse block assembly is part number **VTFB-6** and comes pre-assembled on a DIN rail with:

- ◆ three fused terminals
- ◆ three terminal blocks
- ◆ one end cover
- ◆ two end brackets
- ◆ one 3-way fixed bridge
- ◆ three 2-Amp fuses (Littelfuse, part number KLK002, or equivalent).

## VTFB-6 Diagram



### NOTE

Individual components may not be exactly as shown.

## VTFB-6 Specifications

### Fused Terminal Block

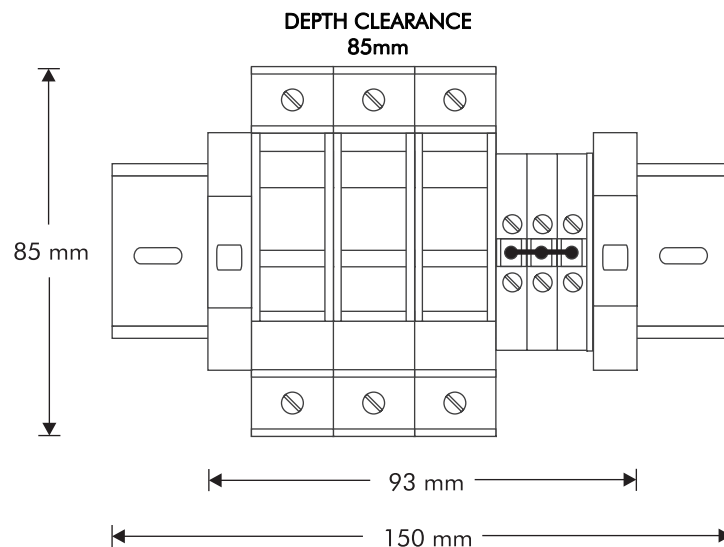
Description	Specification
Mounting	35 mm DIN rail
Fuse	Midget fuse (10.3 x 38 mm)
Nominal voltage rating	600 V
Nominal current rating	30 A
Conductor size	14 to 8 AWG
Standards compliance	UL and CSA approved

### Terminal Block

Description	Specification
Mounting	35 mm DIN rail
Bridging method	Bridging via the 3-way Fixed bridge
Nominal voltage rating	600 V
Nominal current rating	30 A
Conductor size	22 to 10 AWG
Standards compliance	UL and CSA approved

## VTFB-6 Dimensions

The dimensions indicated below are approximate. The actual part may measure differently than indicated, depending on the manufacturer.

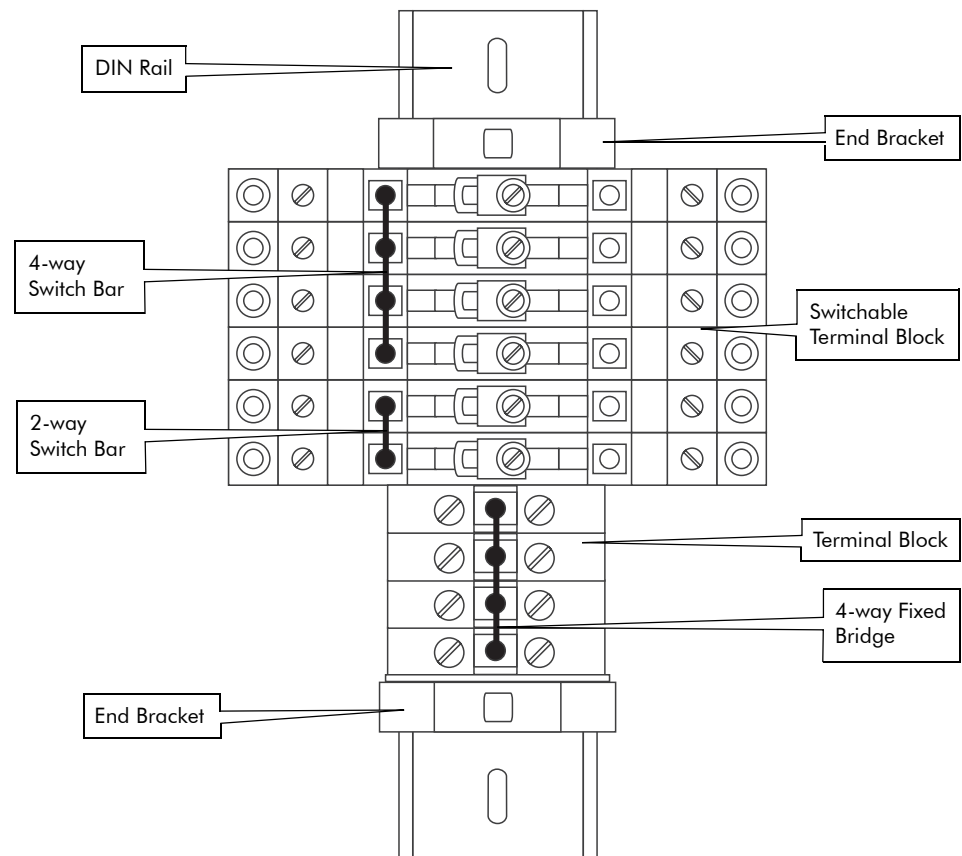


# CT Shorting Block Assembly

The PowerLogic CT shorting block assembly is part number **CTSB-10** and comes pre-assembled on a DIN rail with:

- ◆ six switchable terminals
- ◆ four terminal blocks
- ◆ one end cover
- ◆ two end brackets
- ◆ one 4-way switch bar
- ◆ one 2-way switch bar
- ◆ one 4-way fixed bridge

## CTSB-10 Diagram



### NOTE

Individual components may not be exactly as shown.

## CTSB-10 Specifications

### Switchable Terminal Block

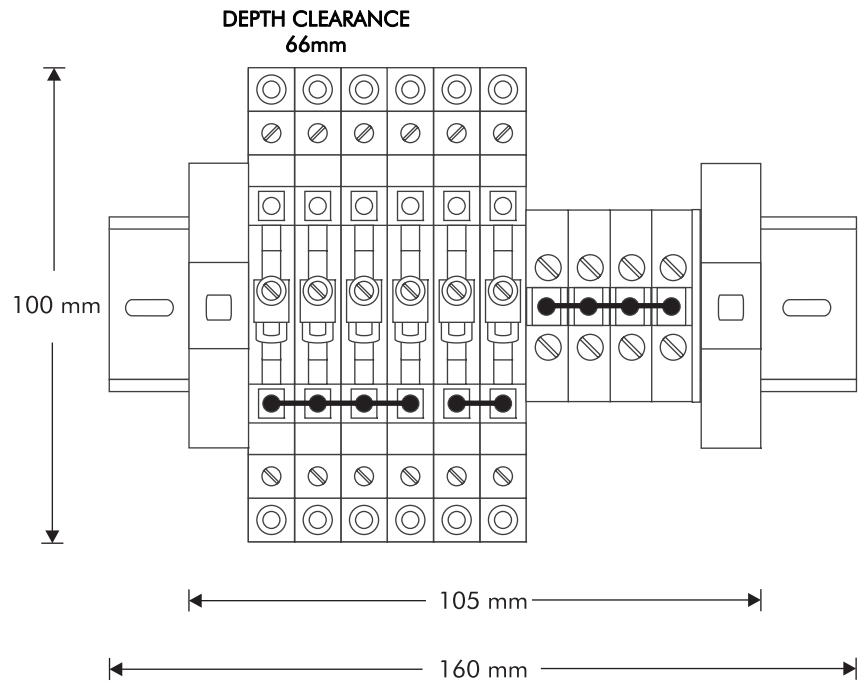
Description	Specification
Mounting	35 mm DIN rail
Switching / shorting method	Sliding link to open CT secondary circuit for test/maintenance purposes. Shorting mechanism to short CT secondary circuit for test/maintenance purposes.
Nominal voltage rating	300 V
Nominal current rating	45 A
Conductor size	20 to 8 AWG
Standards compliance	UL and CSA approved

### Terminal Block

Description	Specification
Mounting	35 mm DIN rail
Bridging method	Bridging via the 4-way Fixed bridge.
Nominal voltage rating	600 V
Nominal current rating	45 A
Conductor size	20 to 8 AWG
Standards compliance	UL and CSA approved

## CTSB-10 Dimensions

The dimensions indicated below are approximate. The actual part may measure differently than indicated, depending on the manufacturer.



# Wiring Diagrams

## DANGER

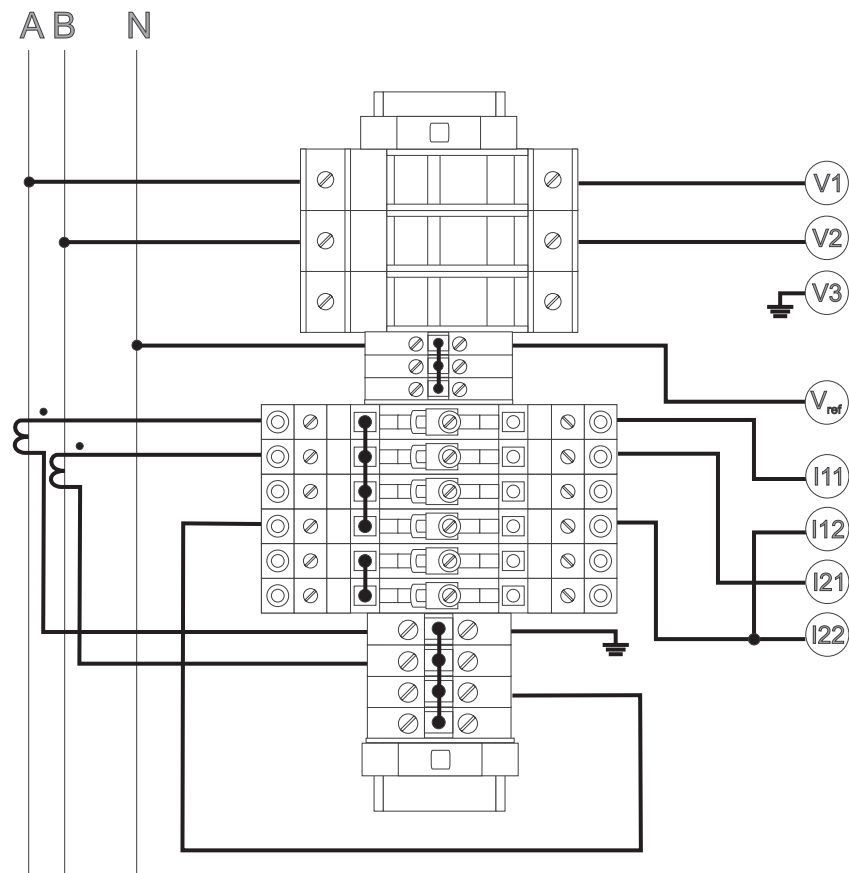
Only licensed electricians who have appropriate training and experience with high voltage and current devices should install and wire the terminal block assemblies.

The following diagrams illustrate how to wire the terminal block assemblies to the electrical system and to the power meter.

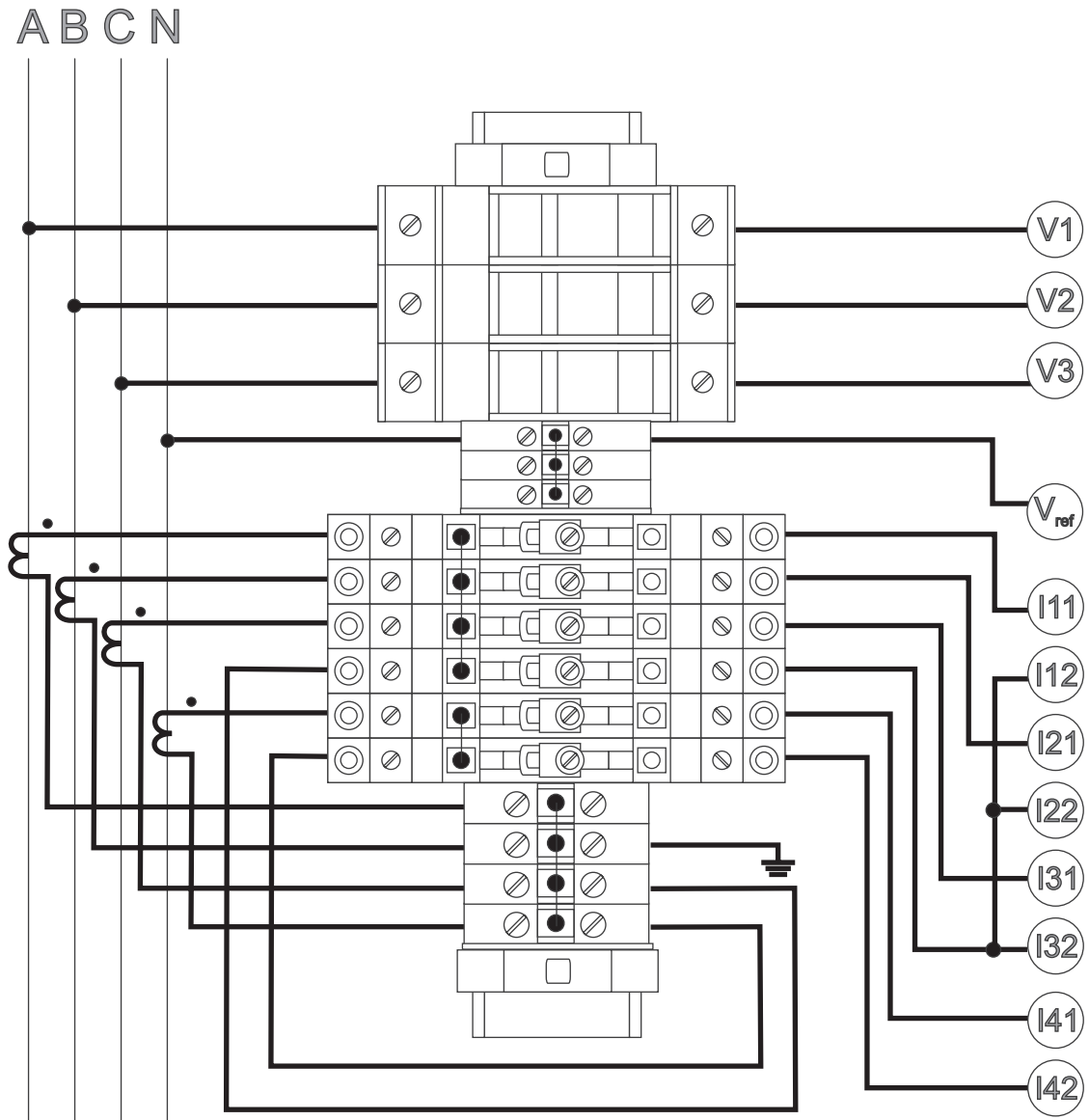
Use these diagrams in conjunction with the wiring information contained in your ION meter's Installation Guide.

All unused inputs should be connected to chassis ground.

## Single-Phase

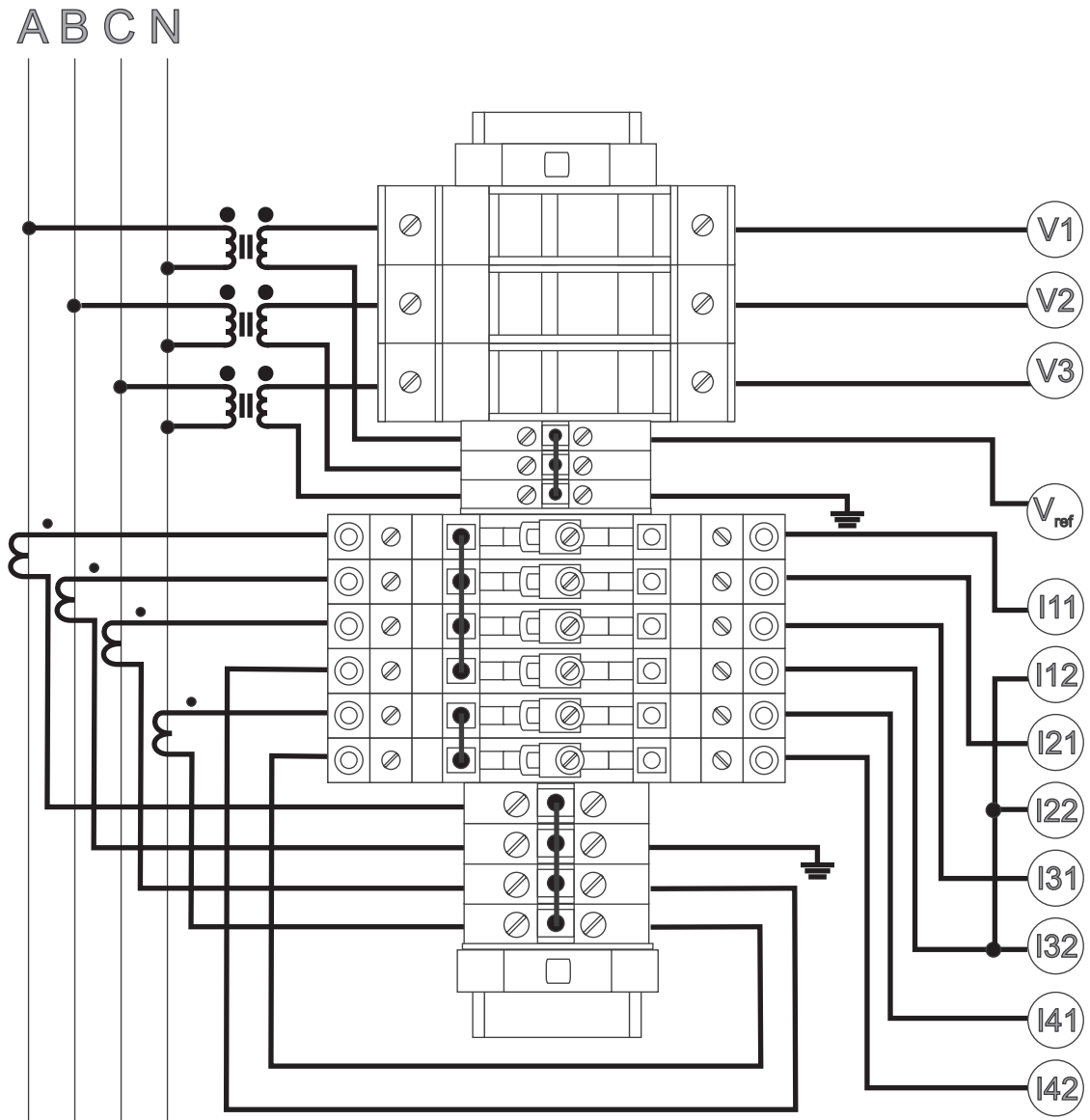


# 4-Wire Wye, 3-Element Direct

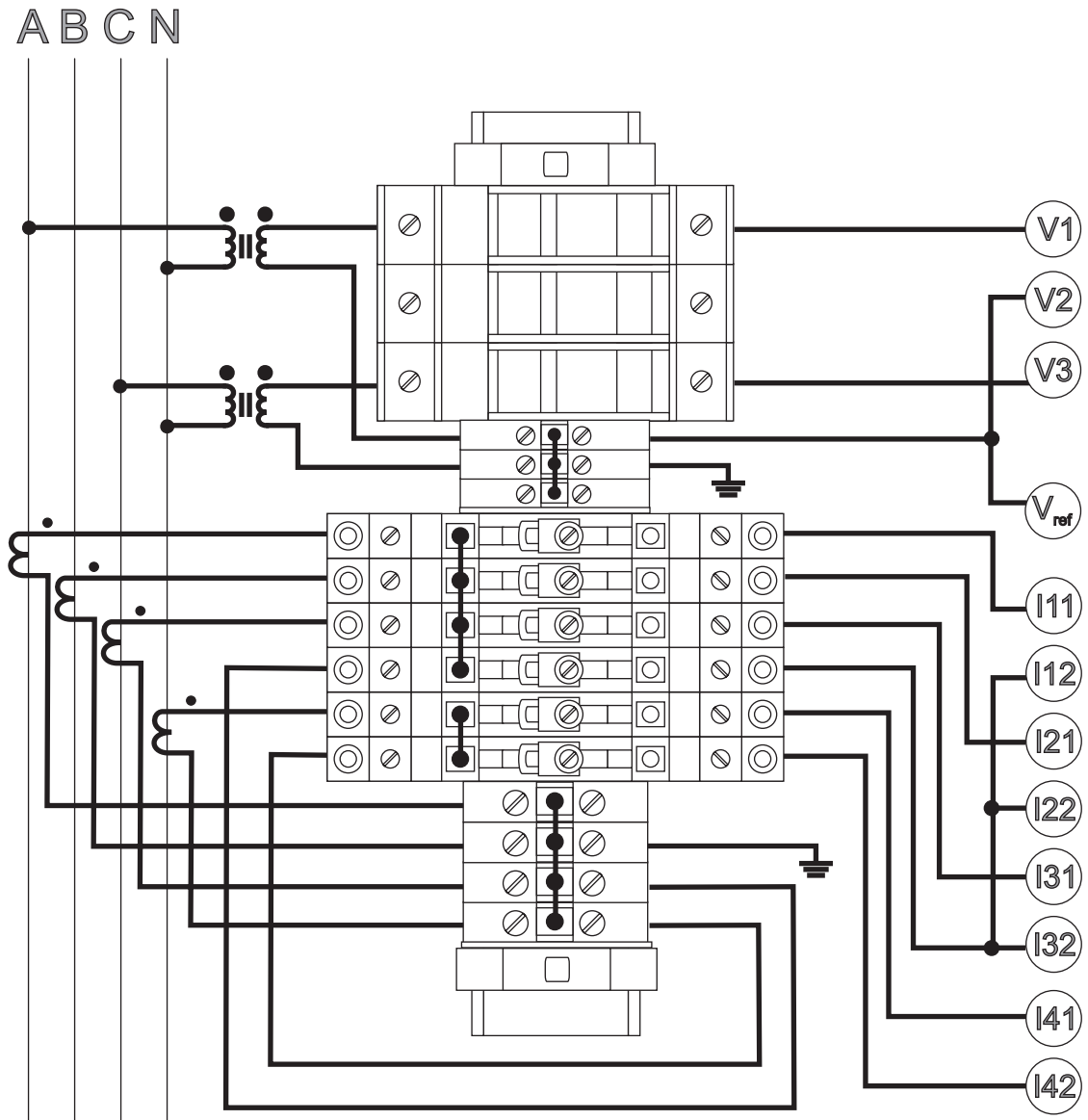




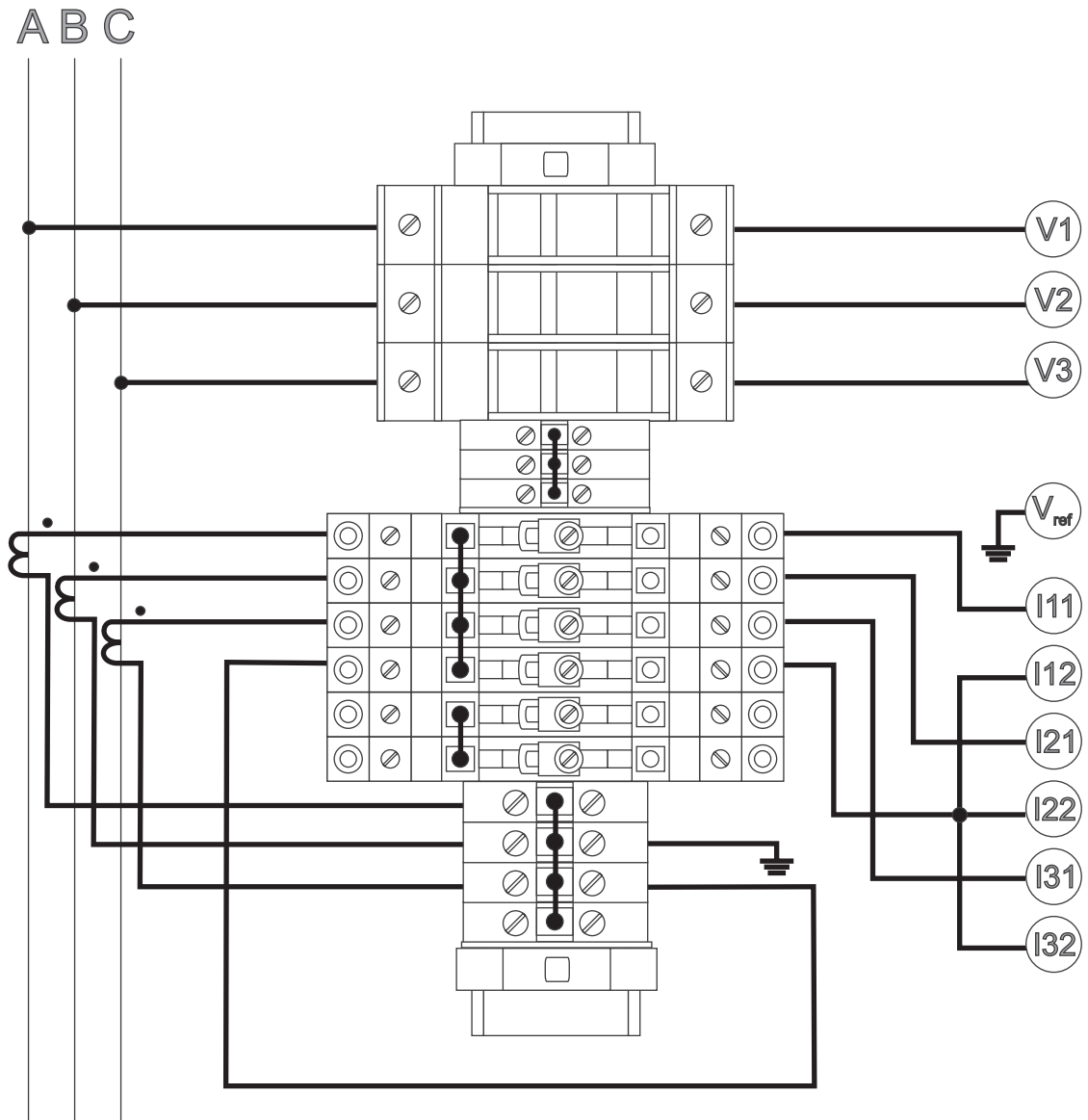
# 4-Wire Wye, 3-Element, 3 VT



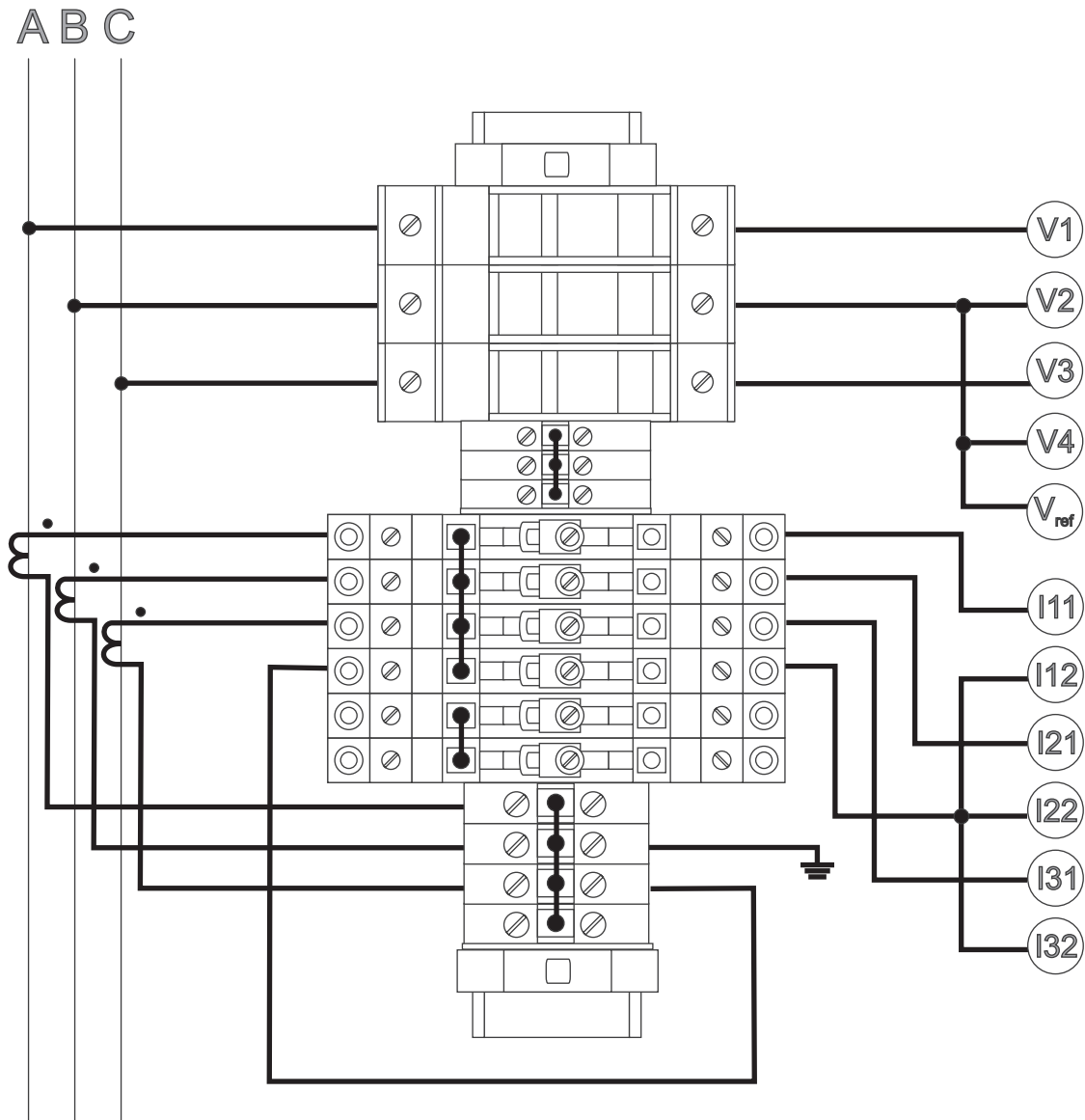
# 4-Wire Wye, 2½-Element, 2 VT



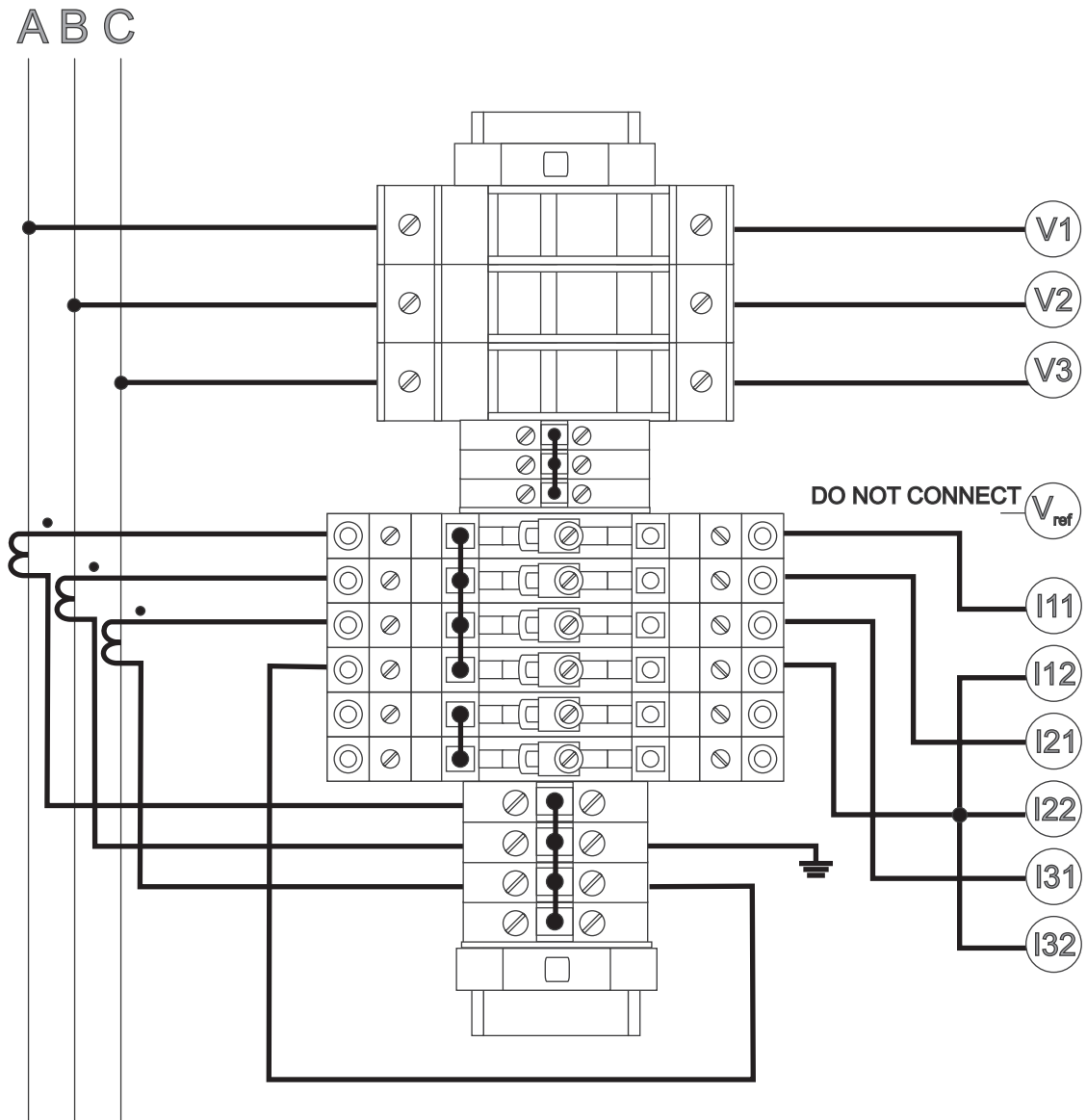
# 3-Wire Solid Grounded Wye, 3-Element Direct



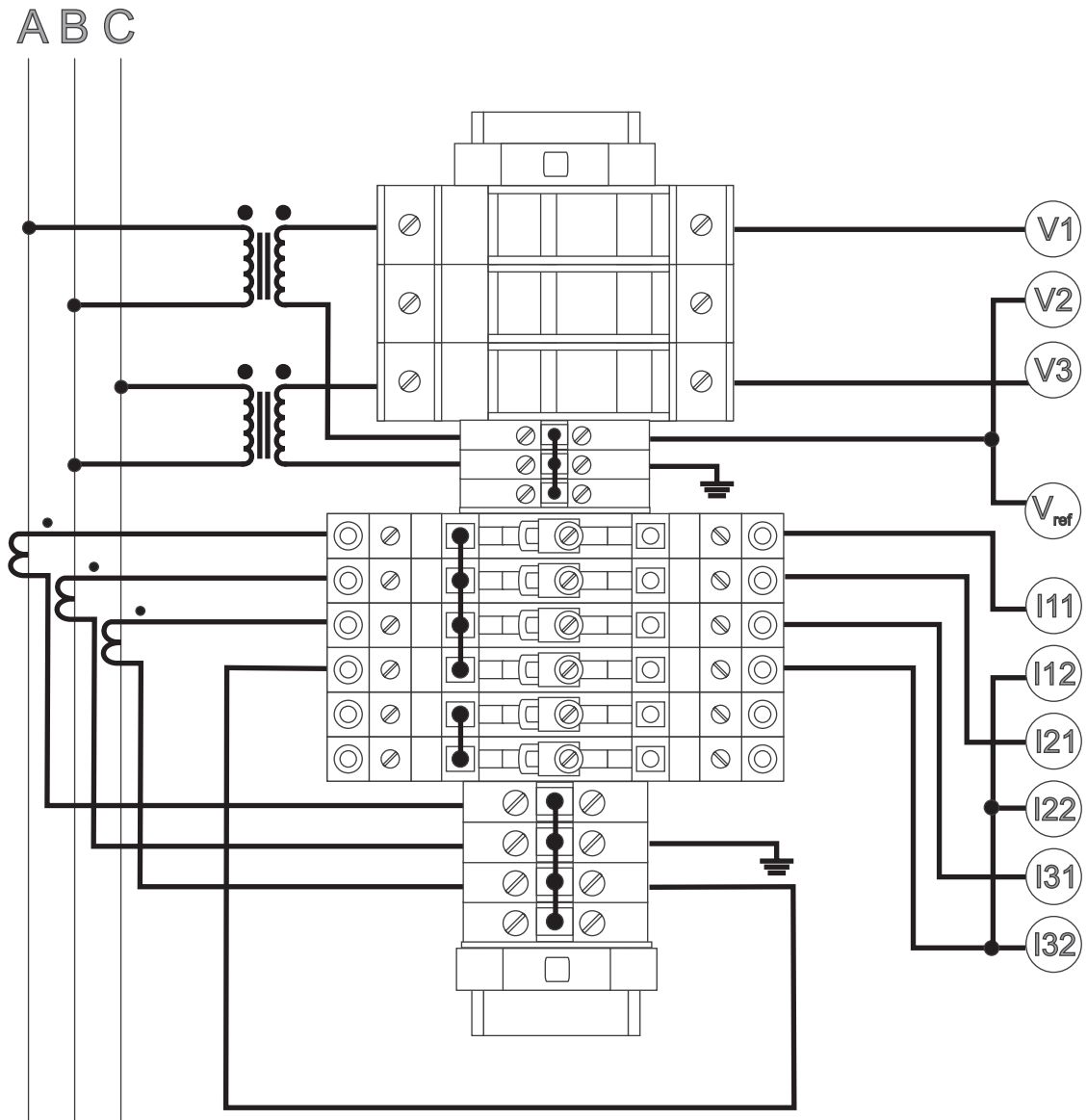
# 3-Wire Delta, 2½-Element Direct (ION7500 / ION7600)



# 3-Wire Delta, Direct (ION7300 series)



# 3-Wire Delta, 2½-Element, 2 VT & 3 CT



# 3-Wire Delta, 2-Element, 2 VT & 2 CT

